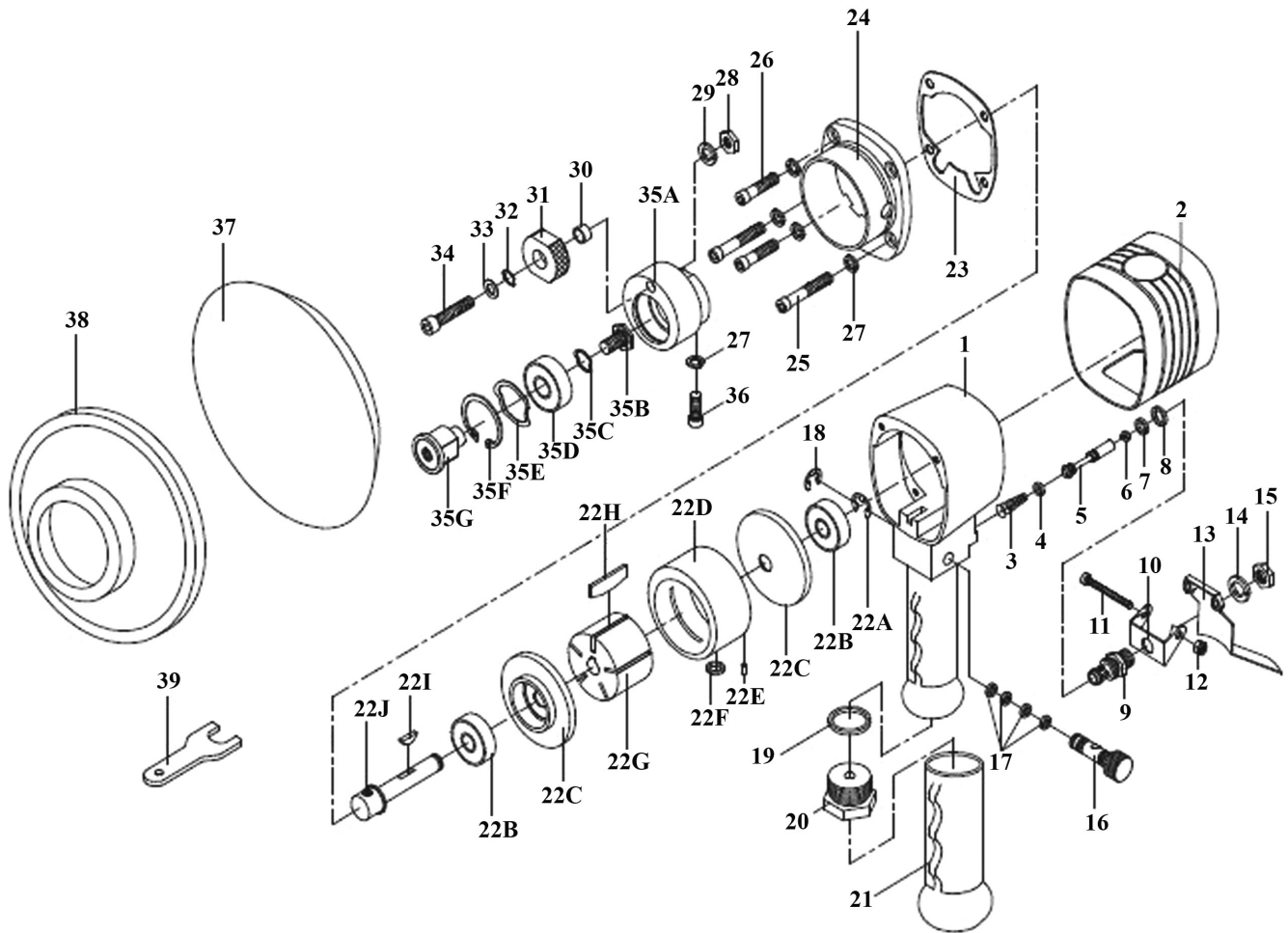




Parts Information:
Air Sander Ø150mm Random Orbital
Model No: SA7/S.V3



NOTE: It is our policy to continually improve products and as such we reserve the right to alter data, specifications and component parts without prior notice.

IMPORTANT: No liability is accepted for incorrect use of product.

WARRANTY: Guarantee is 12 months from purchase date, proof of which will be required for any claim.

Sealey Group, Kempson Way, Suffolk Business Park, Bury St Edmunds, Suffolk. IP32 7AR



01284 757500



01284 703534



sales@sealey.co.uk



www.sealey.co.uk



Parts Information:
Air Sander Ø150mm Random Orbital
Model No: SA7/S.V3

| | | |
|-----|-------------|----------------------------|
| 1 | SA7S.V2-01 | HOUSING |
| 2 | SA7S.V2-02 | HOUSING COVER |
| 3 | SA7S.V2-03 | VALVE SPRING |
| 4 | SA7S.V2-04 | O-RING |
| 5 | SA7S.V2-05 | VALVE STEM |
| 6 | SA7S.V2-06 | O-RING |
| 7 | SA7S.V2-07 | WASHER RUBBER M8 TIGHT FIT |
| 8 | SA7S.V2-08 | O-RING |
| 9 | SA7S.V2-09 | VALVE BUSHING |
| 10 | SA7S.V2-10 | LEVER SEAT |
| 11 | SA7S.V2-11 | LEVER SCREW |
| 12 | SA7S.V2-12 | NYLOC NUT M3 |
| 13 | SA7S.V2-13 | THROTTLE LEVER |
| 14 | SA7S.V2-14 | SPRING WASHER M10 |
| 15 | NC15A/18 | 3/8 UNF HALF NUT |
| 16 | SA7S.V2-16 | AIR REGULATOR |
| 17 | SA7S.V2-17 | O-RING |
| 18 | SA7S.V2-18 | RETAINING RING |
| 19 | SA7S.V2-19 | O-RING |
| 20 | SA7S.V2-20 | AIR INLET BUSHING |
| 21 | SA7S.V2-21 | HANDLE GRIP |
| 22A | SA7S.V2-22A | RETAINING RING |
| 22B | B/6200ZZ | BEARING 6200ZZ |
| 22C | SA7S.V2-22C | FRONT END PLATE |
| 22D | SA7S.V2-22D | CYLINDER |
| 22E | SA7S.V2-22E | PIN |
| 22F | SA7S.V2-22F | O-RING |
| 22G | SA7S.V2-22G | ROTOR |

| Item | Part No. | Description |
|------|-------------|--|
| 22H | SA7S.V2-22H | ROTOR BLADE |
| 22I | SA7S.V2-22I | KEY |
| 22J | SA7S.V2-22J | WORK SPINDLE |
| 23 | SA7S.V2-23 | GASKET |
| 24 | SA7S.V2-24 | HOUSING, FRONT COVER |
| 25 | SCB540.SB | SOCKET HEAD CAP SCREW M5x40 BLACK |
| 26 | SCB514.SB | SOCKET HEAD CAP SCREW M5x14 BLACK |
| 27 | SWM5.S | SPRING WASHER M5 ZINC (SINGLE) |
| 28 | SN14.UNC | STEEL NUT 1/4" UNC (SINGLE) |
| 29 | SWM6.S | SPRING WASHER M6 ZINC (SINGLE) |
| 30 | SA7S.V2-30 | SPACER |
| 31 | SA7S.V2-31 | LEVER |
| 32 | SA7S.V2-32 | WASHER CRINKLE |
| 33 | FWM6.SB | FLAT WASHER M6 BLACK (SINGLE) |
| 34 | SA7S.V2-34 | SOCKET HEAD CAP SCREW 1/4"UNC X 1-1/4 |
| 35A | SA7S.V2-35A | ORBITAL HUB |
| 35B | SA7S.V2-35B | SET SCREW |
| 35C | SA7S.V2-35C | WASHER CRINKLE M12 |
| 35D | B/6201ZZ | BEARING 6201ZZ |
| 35E | SA7S.V2-35E | WASHER CRINKLE M24 |
| 35F | SA7S.V2-35F | RETAINING RING |
| 35G | SA7S.V2-35G | BEARING SEAT |
| 36 | SCB525.SB | SOCKET HEAD CAP SCREW M5x25 BLACK |
| 37 | PTC/150VA | DA PAD for HOOK & LOOP DISCS 145mm 5/16" |
| 38 | SA7S.V2-38 | GRINDING WHEEL FENDER |
| 39 | SA7S.V2-39 | WRENCH |

NOTE: It is our policy to continually improve products and as such we reserve the right to alter data, specifications and component parts without prior notice.

IMPORTANT: No liability is accepted for incorrect use of product.

WARRANTY: Guarantee is 12 months from purchase date, proof of which will be required for any claim.

Sealey Group, Kempson Way, Suffolk Business Park, Bury St Edmunds, Suffolk. IP32 7AR



01284 757500



01284 703534



sales@sealey.co.uk



www.sealey.co.uk