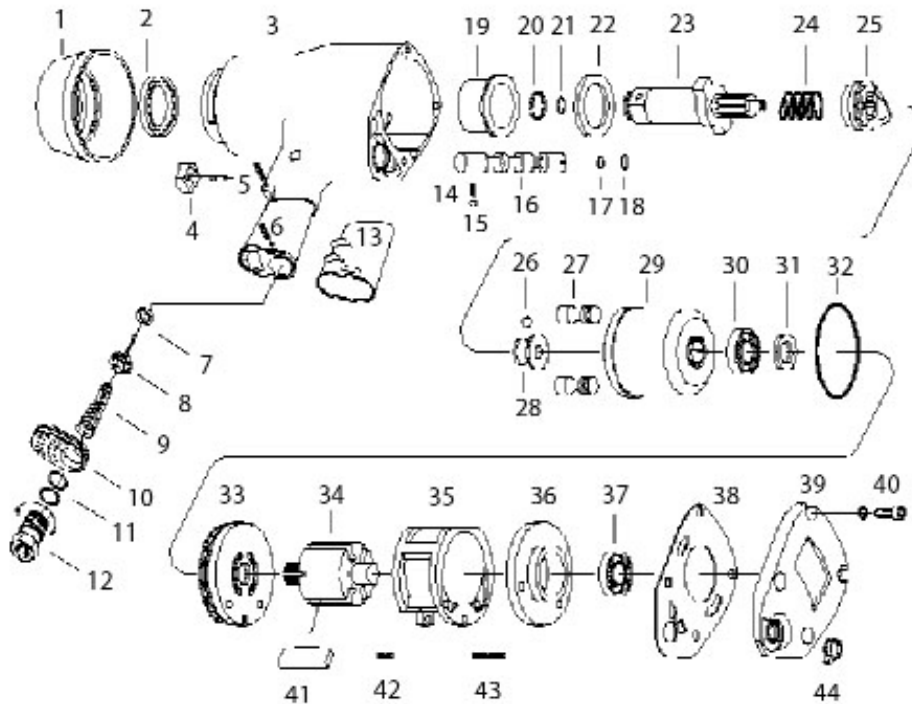




Parts Information:
Air Impact Wrench 3/4" Sq Drive Super-Duty
Model No: SA6.V2



Item	Part No.	Description
1	SA6.V2-01	Protecting Rubber Cover
2	SA6.V2-02	Oil Seal
3	SA6.V2-03	Housing
4	SA6.V2-04	Trigger
5	SA6.V2-05	Spring Pin
6	SA6.V2-06	Spring Pin
7	SA6.V2-07	Retainer
8	SA6.V2-08	Valve Stem
9	SA6.V2-09	Spring
10	SA6.V2-10	Exhaust Deflector
11	SA6.V2-11	O-Ring
12	SA6.V2-12	Reverse Hose Adaptor
13	SA6.V2-13	Rubber Grip
14	SA6.V2-14	Spring
15	SB-4.0	Steel Ball 4.0mm
16	SA6.V2-16	Reverse Valve
17	SA6.V2-17	O-Ring
18	SA6.V2-18	O-Ring
19	SA6.V2-19	Bushing
20	SA6.V2-20	Collar
21	SA6.V2-21	O-Ring
22	SA6.V2-22	Thick Spacer

Item	Part No.	Description
23	SA6.V2-23	Anvil
24	SA6.V2-24	Spring
25	SA6.V2-25	Cam
26	SB-9.5	Steel Ball 9.5mm
27	SA6.V2-27	Hammer Pin
28	SA6.V2-28	Spindle Guide
29	SA6.V2-29	Hammer Cage
30	B/6004ZZ	Bearing 6004ZZ
31	SA6.V2-31	Oil Seal
32	SA6.V2-32	O-Ring
33	SA6.V2-33	Front End Plate
34	SA6.V2-34	Rotor
35	SA6.V2-35	Cylinder
36	SA6.V2-36	Rear End Plate
37	B/6002ZZ	Bearing 6002ZZ
38	SA6.V2-38	Rear Gasket
39	SA6.V2-39	Rear Cover
40	SA6.V2-40	Screw
41	SA6.V2-41	Rotor Blade
42	SA6.V2-42	Spring Pin m3x12
43	SA6.V2-43	Spring Pin m3x18
44	SA6.V2-44	Regulator Knob

NOTE: It is our policy to continually improve products and as such we reserve the right to alter data, specifications and component parts without prior notice.

IMPORTANT: No liability is accepted for incorrect use of product.

WARRANTY: Guarantee is 12 months from purchase date, proof of which will be required for any claim.

Sealey Group, Kempson Way, Suffolk Business Park, Bury St Edmunds, Suffolk. IP32 7AR



01284 757500



01284 703534



sales@sealey.co.uk



www.sealey.co.uk