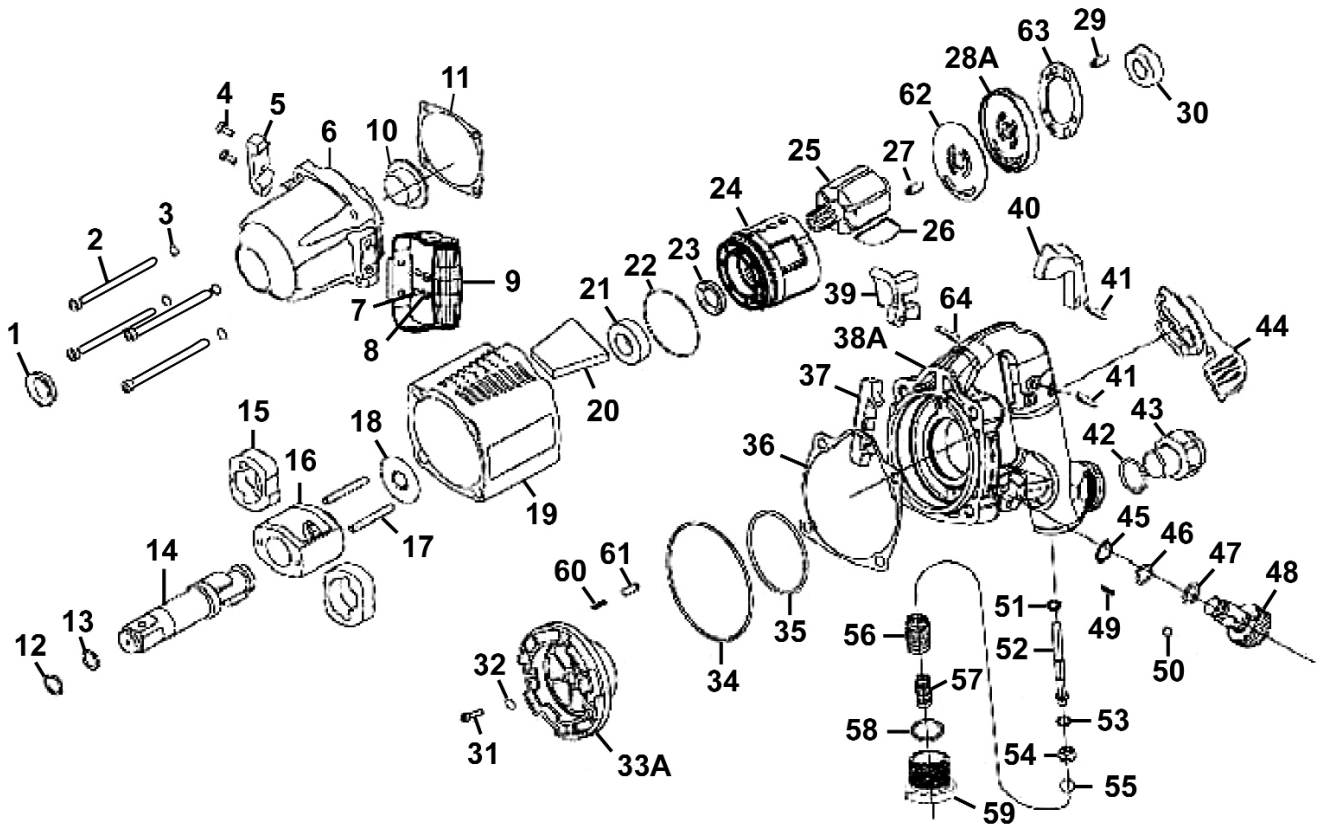




Parts Information:  
Air Impact Wrench 1" Sq Drive Twin  
Hammer Composite  
Model No: SA685.V2



**NOTE:** It is our policy to continually improve products and as such we reserve the right to alter data, specifications and component parts without prior notice.

**IMPORTANT:** No liability is accepted for incorrect use of product.

**WARRANTY:** Guarantee is 12 months from purchase date, proof of which will be required for any claim.

Sealey Group, Kempson Way, Suffolk Business Park, Bury St Edmunds, Suffolk. IP32 7AR



01284 757500



01284 703534



sales@sealey.co.uk



www.sealey.co.uk



Parts Information:  
Air Impact Wrench 1" Sq Drive Twin  
Hammer Composite  
Model No: SA685.V2

Item	Part No.	Description
1	SA685.01	OIL SEAL
2	SA685.02	SCREW (M8x120)
3	SA685.03	SPRING WASHER
4	BHSS816.SB	BUTTON HEAD SOCKET SCREW M8x16 BLACK
5	SA685.05	FRONT RUBBER STAND
6	SA685.06	HAMMER CASE
7	SA685.07	SPRING WASHER
8	SA685.08	SCREW (M8x16)
9	SA685.09	SUPPORT HANDLE
10	SA685.10	BUSHING
11	SA685.11	FRONT GASKET
12	SA685.12	ANVIL COLLAR
13	SA685.13	O-RING (12.4x2.6)
14	SA685.14	ANVIL
15	SA685.15	HAMMER DOG
16	SA685.16	HAMMER CAGE
17	SA685.17	HAMMER PIN
18	SA685.18	WASHER
19	SA685.19	MOTOR HOUSING
20	SA685.20	MUFFLER
21	B/R14	BEARING R14
22	SA685.22	O-RING (82.27x1.78)
23	SA685.23	OIL SEAL (42x22)
24	SA685.24	CYLINDER
25	SA685.25	ROTOR
26	SA685.26	ROTOR BLADE
27	SA685.27	SPRING PIN
28A	SA685.28A	REAR END PLATE
29	SA685.V2-29	SPRING PIN
30	SA685.30	BEARING
31	SA685.31	SCREW (M5x20)
32	SA685.32	O-RING (3.8x1.9)

Item	Part No.	Description
33A	SA685.33A	REVERSE VALVE
34	SA685.34	O-RING (82.22x2.62)
35	SA685.35	O-RING (45.7x2.62)
36	SA685.36	REAR GASKET
37	SA685.37	REAR RUBBER STAND
38A	SA685.38A	REAR COVER
39	SA685.39	TRIGGER
40	SA685.40	TRIGGER CAP
41	SA685.V2-41	SPRING PIN
42	SA685.42	O-RING (18x2.5)
43	SA685.43	HOSE ADAPTOR
44	SA685.44	REVERSE LEVER
45	SA685.45	C-RING (S14)
46	SA685.46	O-RING (10x2)
47	SA685.47	O-RING (12x2)
48	SA685.48	REGULATOR VALVE
49	SA685.49	SPRING
50	SB-4.0	STEEL BALL 4.0mm
51	SA685.51	O-RING (4x1)
52	SA685.52	VALVE STEM
53	SA685.53	O-RING (10x2)
54	SA685.54	RETAINER
55	SA685.55	BALL
56	SA685.56	SPRING
57	SA685.57	SPRING
58	SA685.58	O-RING (18x2.5)
59	SA685.59	HOSE FITTING
60	SA685.60	SPRING
61	SA685.V2-61	REGULATOR PIN
62	SA685.V2-62	WASHER
63	SA685.V2-63	THIN DISC WITH CUT-OUTS
64	SA685.V2-64	SPRING PIN

**NOTE:** It is our policy to continually improve products and as such we reserve the right to alter data, specifications and component parts without prior notice.

**IMPORTANT:** No liability is accepted for incorrect use of product.

**WARRANTY:** Guarantee is 12 months from purchase date, proof of which will be required for any claim.

Sealey Group, Kempson Way, Suffolk Business Park, Bury St Edmunds, Suffolk. IP32 7AR



01284 757500



01284 703534



sales@sealey.co.uk



www.sealey.co.uk