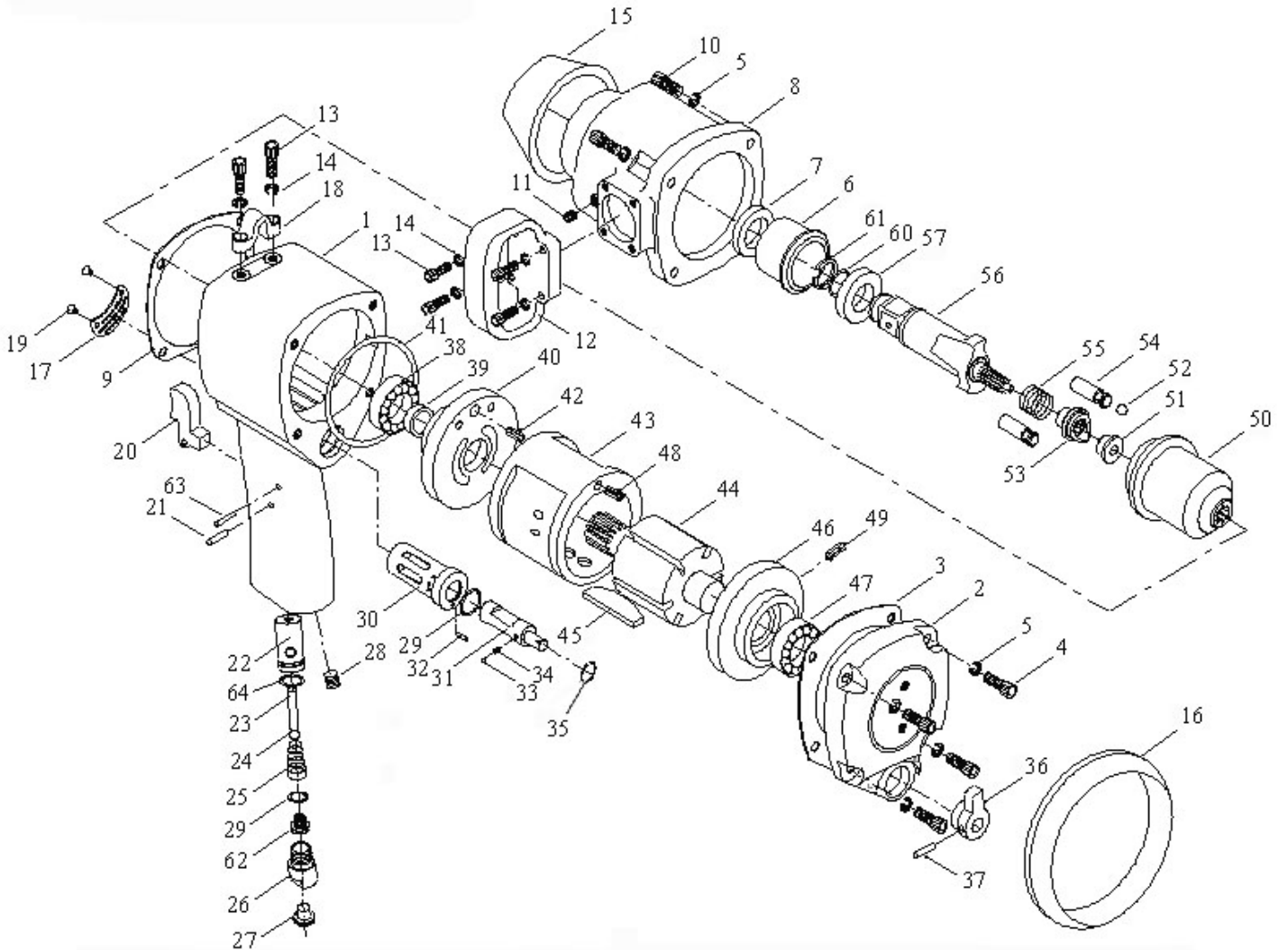




Parts Information:  
**Air Impact Pistol Wrench 1" Sq Drive Long  
Anvil Pin Clutch  
Model No: SA684**



**NOTE:** It is our policy to continually improve products and as such we reserve the right to alter data, specifications and component parts without prior notice.

**IMPORTANT:** No liability is accepted for incorrect use of product.

**WARRANTY:** Guarantee is 12 months from purchase date, proof of which will be required for any claim.

**Sealey Group**, Kempson Way, Suffolk Business Park, Bury St Edmunds, Suffolk. IP32 7AR



01284 757500



01284 703534



sales@sealey.co.uk



www.sealey.co.uk



Parts Information:  
**Air Impact Pistol Wrench 1" Sq Drive Long  
Anvil Pin Clutch  
Model No: SA684**

Item	Part No.	Description
1	SA684.01	MOTOR HOUSING
2	SA682.V2-02	END CAP
3	SA682.V2-03	END CAP GASKET
4	SCB825.SB	SOCKET HEAD CAP SCREW M8x25 BLACK
5	SWM8.SB	SPRING WASHER M8 BLACK(SINGLE)
6	SA682.V2-06	ANVIL BUSHING
7	SA680/09	OIL SEAL
8	SA682.V2-08	CLUTCH HOUSING
9	SA682.V2-09	FRONT GASKET
10	SCB830.SB	SOCKET HEAD CAP SCREW M8x30 BLACK
11	SA682.V2-11	OIL PLUG
12	SA682.V2-12	HANDLE DEAD
13	SCB616.SB	SOCKET HEAD CAP SCREW M6x16 BLACK
14	SWM6.SB	SPRING WASHER M6 BLACK(SINGLE)
15	SA682.V2-15	PROTECTING RUBBER
16	SA682.V2-16	PROTECTING RUBBER
17	SA682.V2-17	MUFFLE PLATE
18	SA682.V2-18	HANGER
19	SA682.V2-19	RD HEAD S/T SCREW M3X8 BLACK
20	SA682.V2-20	TRIGGER
21	SA682.V2-21	SPRING PIN M3X22
22	SA682.V2-22	THROTTLE BUSHING
23	SA682.V2-23	THROTTLE PIN
24	SA682.V2-24	PLASTIC BALL 12.6mm
25	SA682.V2-25	SPRING
26	SA682.V2-26	HOSE FITTING
27	SA682.V2-27	DUST COVER
28	SA682.V2-28	OIL PLUG
29	SA682.V2-29	O-RING
30	SA682.V2-30	VALVE SLEEVE
31	SA682.V2-31	REVERSE VALVE

Item	Part No.	Description
32	SA682.V2-32	PIN
33	SB-3.0	STEEL BALL 3.0mm
34	SA682.V2-34	SPRING
35	SA682.V2-35	C-RING
36	SA682.V2-36	LEVER REVERSE
37	SA682.V2-37	SPRING PIN M3X25
38	B/6005	BEARING 6005
39	SA682.V2-39	OIL SEAL
40	SA682.V2-40	FRONT END PLATE
41	SA682.V2-41	O-RING
42	SA682.V2-42	SPRING PIN M6X16
43	SA682.V2-43	CYLINDER
44	SA682.V2-44	ROTOR
45	SA682.V2-45	ROTOR BLADE
46	SA682.V2-46	REAR END PLATE
47	B/6204Z	BEARING 6204Z
48	SA682.V2-48	SPRING PIN
49	SA682.V2-49	SPRING PIN M3X6
50	SA682.V2-50	HAMMER CAGE
51	SA682.V2-51	DRIVE CAM BASE
52	SB-13.0	STEEL BALL 13.0mm
53	SA682.V2-53	DRIVE CAM
54	SA682.V2-54	HAMMER BAR
55	SA682.V2-55	SPRING
56	SA684.56	ANVIL
57	SA682.V2-57	THICK SPACER
60	SA682.V2-60	O-RING
61	SA291/07	ANVIL COLLAR 1" x 3.1mm
62	SA682.V2-62	SCREEN
63	SA682.V2-63	SPRING PIN M3X18
64	SA684.64	O-RING

**NOTE:** It is our policy to continually improve products and as such we reserve the right to alter data, specifications and component parts without prior notice.

**IMPORTANT:** No liability is accepted for incorrect use of product.

**WARRANTY:** Guarantee is 12 months from purchase date, proof of which will be required for any claim.

**Sealey Group**, Kempson Way, Suffolk Business Park, Bury St Edmunds, Suffolk. IP32 7AR



01284 757500



01284 703534



sales@sealey.co.uk



www.sealey.co.uk