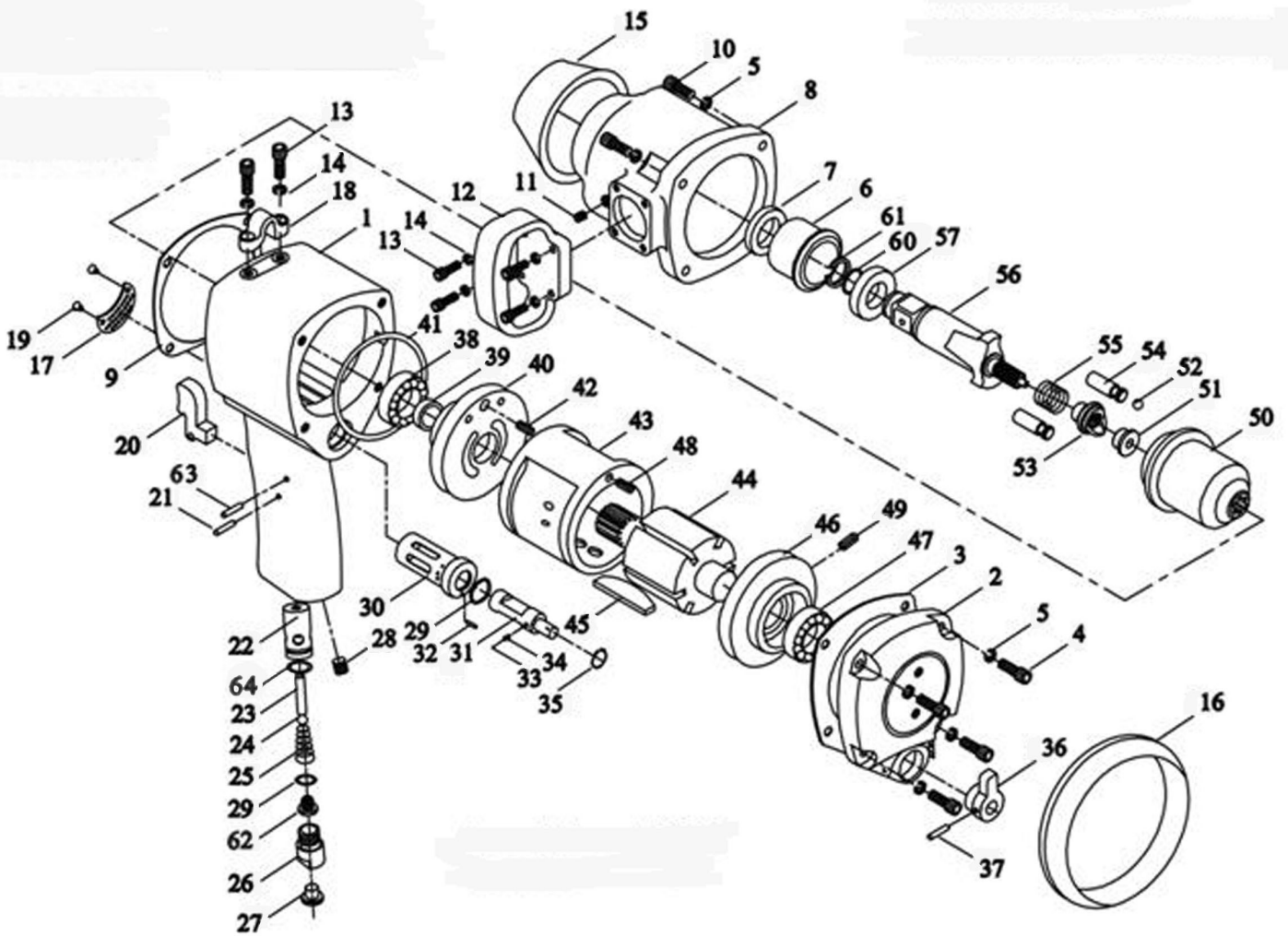




Parts Information:
Air Impact Wrench 1" Sq Drive Pin Clutch
Pistol/Standard Anvil
Model No: SA682.V3



NOTE: It is our policy to continually improve products and as such we reserve the right to alter data, specifications and component parts without prior notice.

IMPORTANT: No liability is accepted for incorrect use of product.

WARRANTY: Guarantee is 12 months from purchase date, proof of which will be required for any claim.

Sealey Group, Kempson Way, Suffolk Business Park, Bury St Edmunds, Suffolk. IP32 7AR



01284 757500



01284 703534



sales@sealey.co.uk



www.sealey.co.uk



Parts Information:
**Air Impact Wrench 1" Sq Drive Pin Clutch
 Pistol/Standard Anvil
 Model No: SA682.V3**

Item	Part No.	Description
1	SA682.V2-01	MOTOR HOUSING
2	SA682.V2-02	END CAP
3	SA682.V2-03	END CAP GASKET
4	SCB825.SB	SOCKET HEAD CAP SCREW M8x25 BLACK
5	SWM8.SB	SPRING WASHER M8 BLACK(SINGLE)
6	SA682.V2-06	ANVIL BUSHING
7	SA680/09	OIL SEAL
8	SA682.V2-08	CLUTCH HOUSING
9	SA682.V2-09	FRONT GASKET
10	SCB830.SB	SOCKET HEAD CAP SCREW M8x30 BLACK
11	SA682.V2-11	OIL PLUG
12	SA682.V2-12	HANDLE DEAD
13	SCB616.SB	SOCKET HEAD CAP SCREW M6x16 BLACK
14	SWM6.SB	SPRING WASHER M6 BLACK(SINGLE)
15	SA682.V2-15	PROTECTING RUBBER
16	SA682.V2-16	PROTECTING RUBBER
17	SA682.V2-17	MUFFLE PLATE
18	SA682.V2-18	HANGER
19	SA682.V2-19	RD HEAD S/T SCREW M3X8 BLACK
20	SA682.V2-20	TRIGGER
21	SA682.V2-21	SPRING PIN M3X22
22	SA682.V2-22	THROTTLE BUSHING
23	SA682.V2-23	THROTTLE PIN
24	SA682.V2-24	PLASTIC BALL 12.6mm
25	SA682.V2-25	SPRING
26	SA682.V2-26	HOSE FITTING
27	SA682.V2-27	DUST COVER
28	SA682.V2-28	OIL PLUG
29	SA682.V2-29	O-RING
30	SA682.V2-30	VALVE SLEEVE
31	SA682.V2-31	REVERSE VALVE

Item	Part No.	Description
32	SA682.V2-32	PIN
33	SB-3.0	STEEL BALL 3.0mm
34	SA682.V2-34	SPRING
35	SA682.V2-35	C-RING
36	SA682.V2-36	LEVER REVERSE
37	SA682.V2-37	SPRING PIN M3X25
38	B/6005	BEARING 6005
39	SA682.V2-39	OIL SEAL
40	SA682.V2-40	FRONT END PLATE
41	SA682.V2-41	O-RING
42	SA682.V2-42	SPRING PIN M6X16
43	SA682.V2-43	CYLINDER
44	SA682.V2-44	ROTOR
45	SA682.V2-45	ROTOR BLADE
46	SA682.V2-46	REAR END PLATE
47	B/6204Z	BEARING 6204Z
48	SA682.V2-48	SPRING PIN
49	SA682.V2-49	SPRING PIN M3X6
50	SA682.V2-50	HAMMER CAGE
51	SA682.V2-51	DRIVE CAM BASE
52	SB-13.0	STEEL BALL 13.0mm
53	SA682.V2-53	DRIVE CAM
54	SA682.V2-54	HAMMER BAR
55	SA682.V2-55	SPRING
56	SA682.V2-56	ANVIL (2")
57	SA682.V2-57	THICK SPACER
60	SA682.V2-60	O-RING
61	SA291/07	ANVIL COLLAR 1" x 3.1mm
62	SA682.V2-62	SCREEN
63	SA682.V2-63	SPRING PIN M3X18
64	SA682.V3-64	O-RING

NOTE: It is our policy to continually improve products and as such we reserve the right to alter data, specifications and component parts without prior notice.

IMPORTANT: No liability is accepted for incorrect use of product.

WARRANTY: Guarantee is 12 months from purchase date, proof of which will be required for any claim.

Sealey Group, Kempson Way, Suffolk Business Park, Bury St Edmunds, Suffolk. IP32 7AR



01284 757500



01284 703534



sales@sealey.co.uk



www.sealey.co.uk