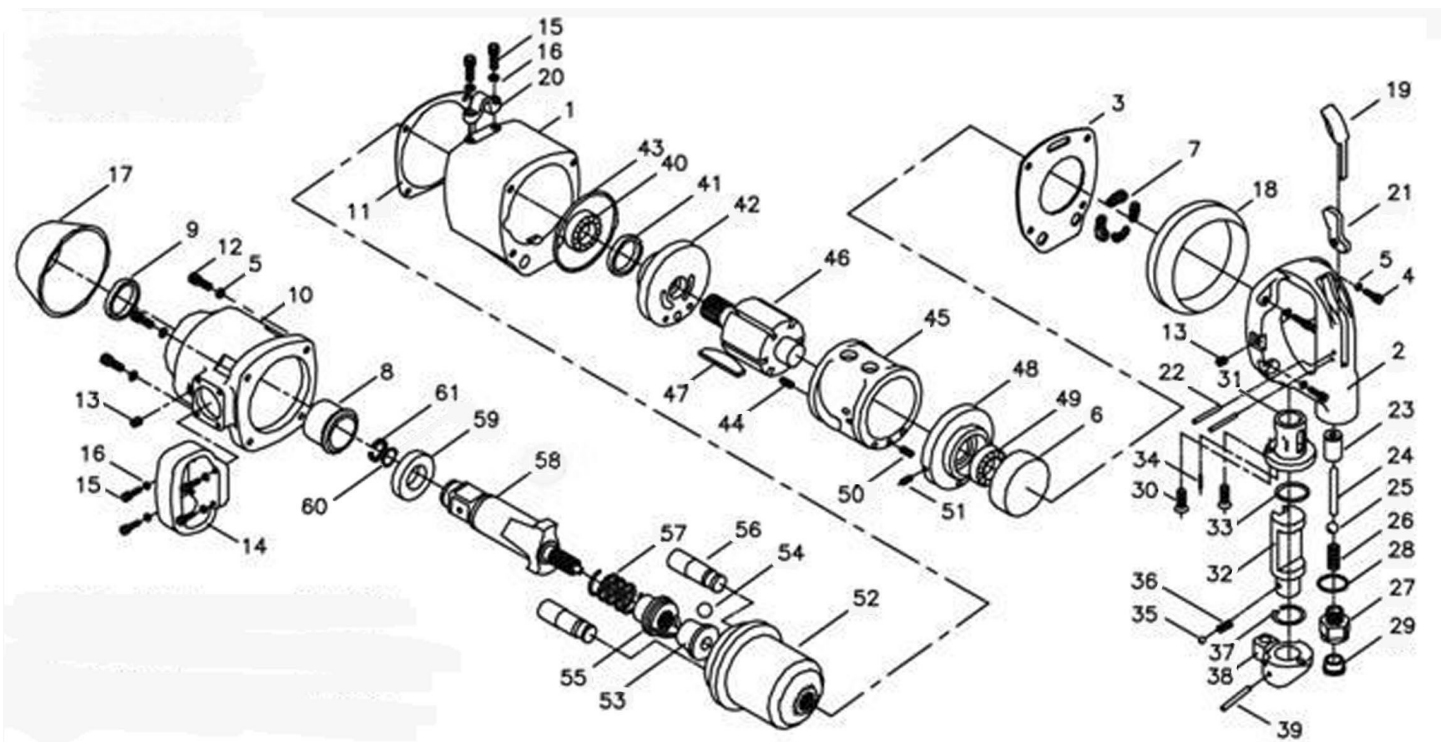




Parts Information:
Air Impact Wrench 1" Sq Drive Pin Clutch
Straight/Standard Anvil 1800lb.ft
Model No: SA680.V2



NOTE: It is our policy to continually improve products and as such we reserve the right to alter data, specifications and component parts without prior notice.

IMPORTANT: No liability is accepted for incorrect use of product.

WARRANTY: Guarantee is 12 months from purchase date, proof of which will be required for any claim.

Sealey Group, Kempson Way, Suffolk Business Park, Bury St Edmunds, Suffolk. IP32 7AR



01284 757500



01284 703534



sales@sealey.co.uk



www.sealey.co.uk



Parts Information:
**Air Impact Wrench 1" Sq Drive Pin Clutch
 Straight/Standard Anvil 1800lb.ft
 Model No: SA680.V2**

| Item | Part No. | Description |
|------|------------|-----------------------------------|
| 1 | SA680/01 | MOTOR HOUSING |
| 2 | SA680/02 | REAR COVER |
| 3 | SA680/03 | REAR GASKET |
| 4 | SCB825.SB | SOCKET HEAD CAP SCREW M8x25 BLACK |
| 5 | SWM8.SB | SPRING WASHER M8 BLACK(SINGLE) |
| 6 | SA680/06 | BLIND CAP |
| 7 | SA680/07 | OIL PACKING |
| 8 | SA680/08 | ANVIL BUSHING |
| 9 | SA680/09 | OIL SEAL |
| 10 | SA680/10 | CLUTCH HOUSING |
| 11 | SA682V2-09 | FRONT GASKET |
| 12 | SCB830.SB | SOCKET HEAD CAP SCREW M8x30 BLACK |
| 13 | SA680/13 | SCREW (1/8NPT X 5/16 GRUB SCREW) |
| 14 | SA680/14 | HANDLE DEAD |
| 15 | SCB616.SB | SOCKET HEAD CAP SCREW M6x16 BLACK |
| 16 | SWM6.SB | SPRING WASHER M6 BLACK(SINGLE) |
| 17 | SA680/17 | PROTECTING RUBBER |
| 18 | SA682V2-16 | PROTECTING RUBBER |
| 19 | SA680/19 | HANDLE COVER |
| 20 | SA682V2-18 | HANGER |
| 21 | SA680/21 | TRIGGER |
| 22 | SA680/22 | TRIGGER PIN |
| 23 | SA680/23 | BUSHING |
| 24 | SA680/24 | THROTTLE PIN |
| 25 | SA682V2-24 | PLASTIC BALL 12.6mm |
| 26 | SA680/26 | SPRING |
| 27 | SA680/27 | HOSE FITTING |
| 28 | SA680/28 | O-RING |
| 29 | SA682V2-27 | DUST COVER |
| 30 | SA680/30 | SCREW (M4x16 PH PAN HD SCREW) |
| 31 | SA680/31 | VALVE SLEEVE |

| Item | Part No. | Description |
|------|------------|-------------------------------------|
| 32 | SA680/32 | REVERSE VALVE ASSY (INC.33,35 & 36) |
| 33 | SA680/32 | REVERSE VALVE ASSY (INC.33,35 & 36) |
| 34 | SA680/34 | PIN |
| 35 | SA680/32 | REVERSE VALVE ASSY (INC.33,35 & 36) |
| 36 | SA680/32 | REVERSE VALVE ASSY (INC.33,35 & 36) |
| 37 | SA680/37 | C-RING |
| 38 | SA680/38 | LEVER REVERSE |
| 39 | SA680/39 | PIN |
| 40 | B/6005 | BEARING 6005 |
| 41 | SA682V2-39 | OIL SEAL |
| 42 | SA682V2-40 | FRONT END PLATE |
| 43 | SA682V2-41 | O-RING |
| 44 | SA682V2-42 | SPRING PIN M6X16 |
| 45 | SA682V2-43 | CYLINDER |
| 46 | SA682V2-44 | ROTOR |
| 47 | SA680/47 | ROTOR BLADE |
| 48 | SA682V2-46 | REAR END PLATE |
| 49 | B/6204 | BEARING 6204 |
| 50 | SA682V2-48 | SPRING PIN |
| 51 | SA682V2-49 | SPRING PIN M3X6 |
| 52 | SA682V2-50 | HAMMER CAGE |
| 53 | SA682V2-51 | DRIVE CAM BASE |
| 54 | SB-13.0 | STEEL BALL 13.0mm |
| 55 | SA682V2-53 | DRIVE CAM |
| 56 | SA682V2-54 | HAMMER BAR |
| 57 | SA680/57 | SPRING |
| 58 | SA682V2-56 | ANVIL (2") |
| 59 | SA682V2-57 | THICK SPACER |
| 60 | SA680/60 | O RING |
| 61 | SA291/07 | ANVIL COLLAR 1" x 3.1mm |

NOTE: It is our policy to continually improve products and as such we reserve the right to alter data, specifications and component parts without prior notice.

IMPORTANT: No liability is accepted for incorrect use of product.

WARRANTY: Guarantee is 12 months from purchase date, proof of which will be required for any claim.

Sealey Group, Kempson Way, Suffolk Business Park, Bury St Edmunds, Suffolk. IP32 7AR



01284 757500



01284 703534



sales@sealey.co.uk



www.sealey.co.uk