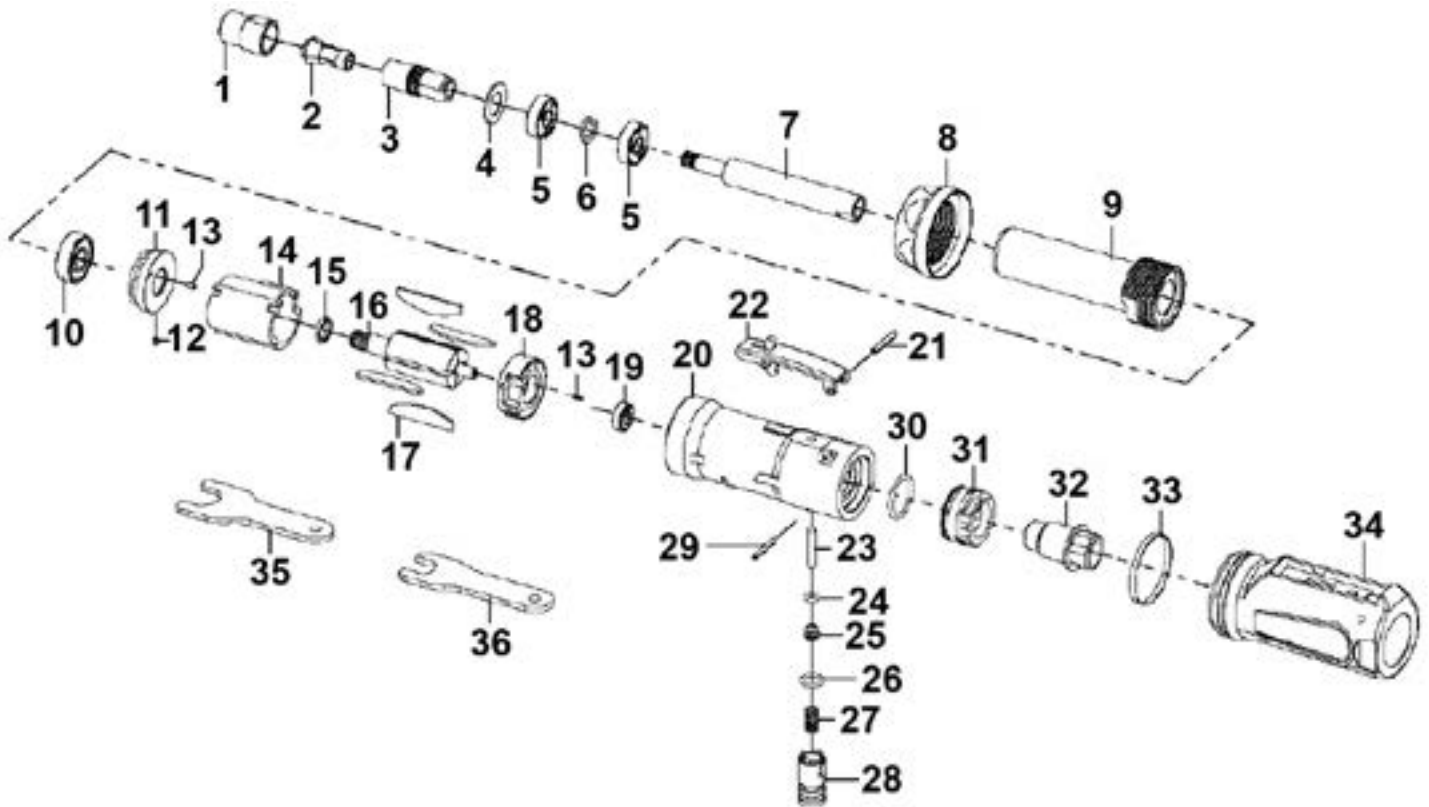


Parts Information:
**Air Die Grinder Maxi Size 260mm Long
 Reach Premier
 Model No: SA656**



Item	Part No.	Description
1	SA655.01	Collet Nut
2	SA655.02	Collet 6mm
3	SA652.V3-03	Spindle
4	SA656.04	Spacer
5	B/608ZZ	Bearing 608zz
6	SWM8.SB	Spring Washer M8 Black
7	SA656.07	Shaft Coupling
8	SA656.08	Coupling Nut
9	SA656.09	Extension Housing
10	B/6000ZZ	Bearing 6000zz
11	SA656.11	Front End Plate
12	SA656.12	Spring Pin M2.5 X 4
13	SA153.15)	Spring Pin M2.5 X 5
14	SA654.V3-11	Cylinder
15	SA656.15	Washer
16	SA656.16	Rotor
17	SA95.V3-14	Rotor Blade (Set Of 4)
18	SA654.V3-13	Rear End Plate

Item	Part No.	Description
19	B/696ZZ	Bearing 696zz
20	SA654.V3-30	Motor Housing
21	SA654.V3-23	Spring Pin M3 X 22
22	SA654.V3-22	Safety Lever Assy
23	SA654.V3-21	Valve Shaft (3.9x24)
24	SA654.V3-20	O-Ring, (P4), (Ex: 7.24 In: 3.68 Cs: 1.78)
25	SA654.V3-19	Throttle Valve
26	SA656.26	O-Ring, (P010a), (Ex: 14.32 In: 9.72 Cs: 2.30)
27	SA95.V3-23	Valve Spring Dia 7mm
28	SA650.V3-27	Valve Screw
29	SA654.V3-15	Spring Pin M2.5 X 20
30	SA17S.V2-44	O-Ring, (Ex: 25.51 In: 21.95 Cs: 1.78)
31	SA654.V3-31	Exhaust Sleeve
32	SA654.V3-25	Inlet Bushing
33	SA656.33	Seal
34	SA654.V3-26	Housing Cover
35	SA652.V3-27	Wrench 17mm
36	SA652.V3-29	Wrench 11mm

NOTE: It is our policy to continually improve products and as such we reserve the right to alter data, specifications and component parts without prior notice. There may be alternative versions of this product, please contact us should you require this information.

IMPORTANT: No liability is accepted for incorrect use of product. Spare parts must be fitted by a competent person

WARRANTY: Guarantee is 12 months from purchase date, proof of which will be required for any claim.