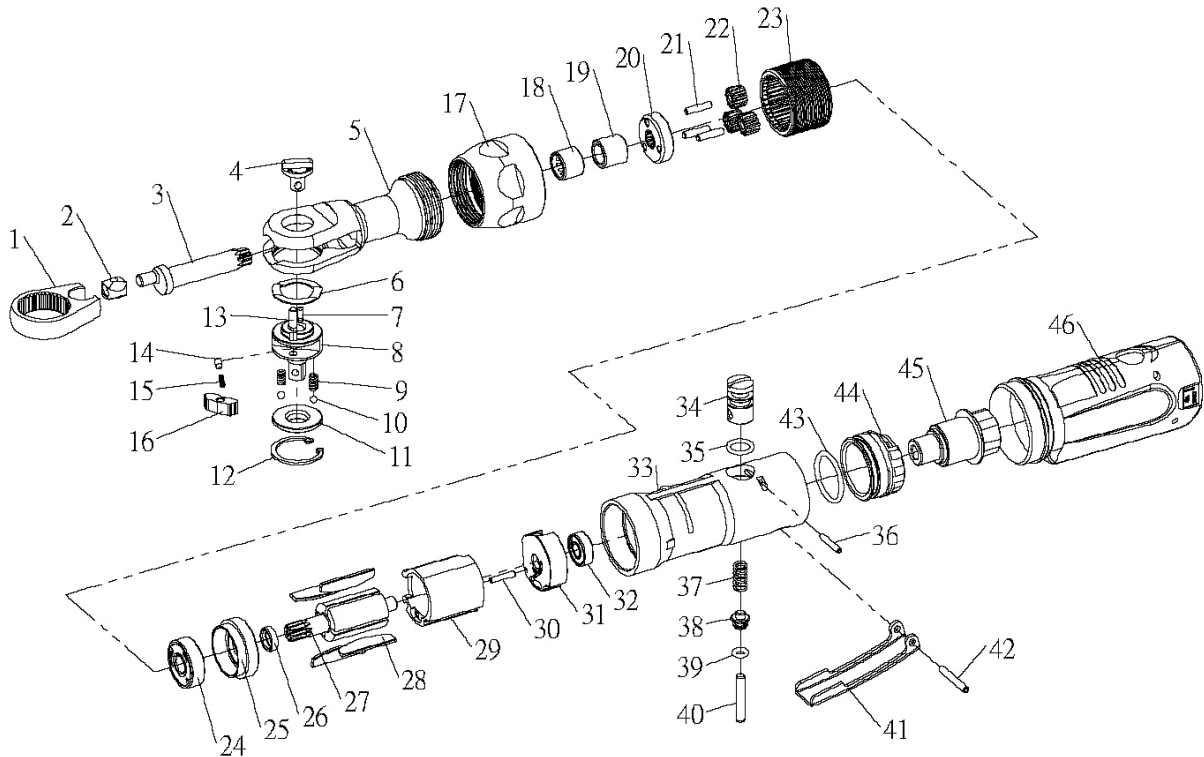




Parts Information:
Air Ratchet Wrench Mini 1/4" Sq Drive Premier
Model No: SA630.V3



Item	Part No.	Description
1	SA631V3-01	RATCHET YOKE
2	SA631V3-02	DRIVE BUSHING
3	SA631V3-03	CRANK SHAFT
4	SA630.V3-04	REVERSING CAP
5	SA631V3-05	RATCHET HOUSING
6	SA631V3-06	CRINKLE WASHER
7	SA631V3-07	SPRING PIN(2X6MM)
8	SA630.V3-08	RATCHET ANVIL 1/4"
9	SA631V3-09	SPRING
10	SB-3.0	STEEL BALL 3.0mm
11	SA630.V3-11	DISC WITH LIP 1/4"
12	SA631V3-12	RETAINING RING(RTW022)
13	SA631V3-13	PIN (3.3X9MM)
14	SA631V3-14	SPRING CAP
15	SA631V3-15	SPRING
16	SA631V3-16	PAWL
17	SA631V3-17	COUPLING NUT
18	B/HK0910	NEEDLE BEARING HK0910
19	SA631V3-19	BUSHING
20	SA631V3-20	IDLER GEAR PLATE
21	SA631V3-21	PIN (3X13MM)
22	SA631V3-22	IDLER GEAR
23	SA631V3-23	THREADED RING GEAR

Item	Part No.	Description
24	B/608ZZ	BEARING 608ZZ
25	SA631V3-25	FRONT END PLATE
26	SA652V3-08	SPACER
27	SA631V3-27	ROTOR
28	SA652V3-10	ROTOR BLADE
29	SA652V3-11	CYLINDER
30	SA652V3-12	SPRING PIN (2.5x5)
31	SA652V3-13	REAR END PLATE
32	B/696ZZ	BEARING 696ZZ
33	SA652V3-30	MOTOR HOUSING
34	SA652V3-16	AIR REGULATOR
35	SA631V3-35	O-RING (P9)
36	SA652V3-15	SPRING PIN (2.5x16)
37	SA654V3-18	VALVE SPRING
38	SA654V3-19	THROTTLE VALVE
39	SA654V3-20	O-RING (P4)
40	SA654V3-21	VALVE SHAFT (3.9X24)
41	SA654V3-22	SAFETY LEVER ASSY
42	SA654V3-23	SPRING PIN (3X22)
43	SA654V3-24	O-RING (S22.4)
44	SA654V3-31	EXHAUST SLEEVE
45	SA652V3-25	INLET BUSHING
46	SA631V3-46	HOUSING COVER

NOTE: It is our policy to continually improve products and as such we reserve the right to alter data, specifications and component parts without prior notice.

IMPORTANT: No liability is accepted for incorrect use of product.

WARRANTY: Guarantee is 12 months from purchase date, proof of which will be required for any claim.

Sealey Group, Kempson Way, Suffolk Business Park, Bury St Edmunds, Suffolk. IP32 7AR



01284 757500



01284 703534



sales@sealey.co.uk



www.sealey.co.uk