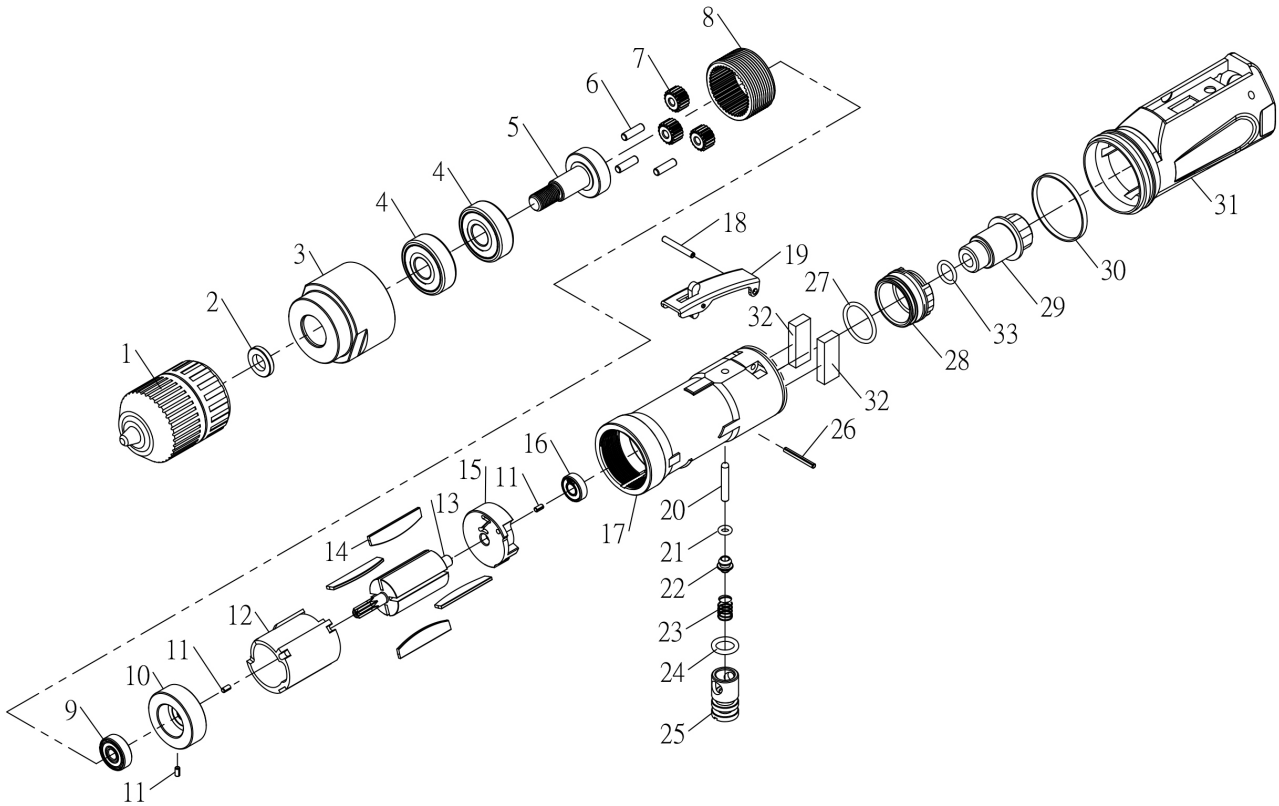




Parts Information:
**Air Drill Straight with Ø10mm Keyless
 Chuck Premier**
Model No: SA622.V2



Item	Part No.	Description
1	SA622.V2-01	Drill chuck (3/8")
2	SA95.V3-02	Spacer
3	SA95.V3-03	Bearing housing
4	B/6201ZZ	Bearing 6201zz
5	SA622.V2-05	Planet carrier
6	SA622.V2-06	Needle gear
7	SA95.V3-07	Planet gear
8	SA95.V3-08	Internal gear
9	B/626ZZ	Bearing 626zz
10	SA95.V3-10	Front plate
11	SA656.13	Spring pin (2.5x5)
12	SA654.V3-11	Cylinder
13	SA95.V3-13	Rotor
14	SA95.V3-14	Rotor blade (set of 4)
15	SA654.V3-13	Rear end plate
16	B/696ZZ	Bearing 696zz
17	SA654.V3-30	Motor housing

Item	Part No.	Description
18	SA654.V3-23	Spring pin (3x22)
19	SA654.V3-22	Safety lever assy
20	SA654.V3-21	Valve shaft (3.9x24)
21	SA654.V3-20	O-ring (p4)
22	SA654.V3-19	Throttle valve
23	SA654.V3-18	Valve spring
24	SA622.V2-24	O-ring (p10a)
25	SA654.V3-16	Valve screw
26	SA654.V3-15	Spring pin m2.5 x 20
27	SA654.V3-24	O-ring (s22.4)
28	SA654.V3-30	Motor housing
29	SA654.V3-25	Inlet bushing
30	SA654.V3-26	Housing cover
31	SA622.V2-31	Seal
32	SA622.V2-32	Muffle
33	SA622.V2-33	O ring

NOTE: It is our policy to continually improve products and as such we reserve the right to alter data, specifications and component parts without prior notice.

IMPORTANT: No liability is accepted for incorrect use of product.

WARRANTY: Guarantee is 12 months from purchase date, proof of which will be required for any claim.

Sealey Group, Kempson Way, Suffolk Business Park, Bury St Edmunds, Suffolk. IP32 7AR



01284 757500



01284 703534



sales@sealey.co.uk



www.sealey.co.uk