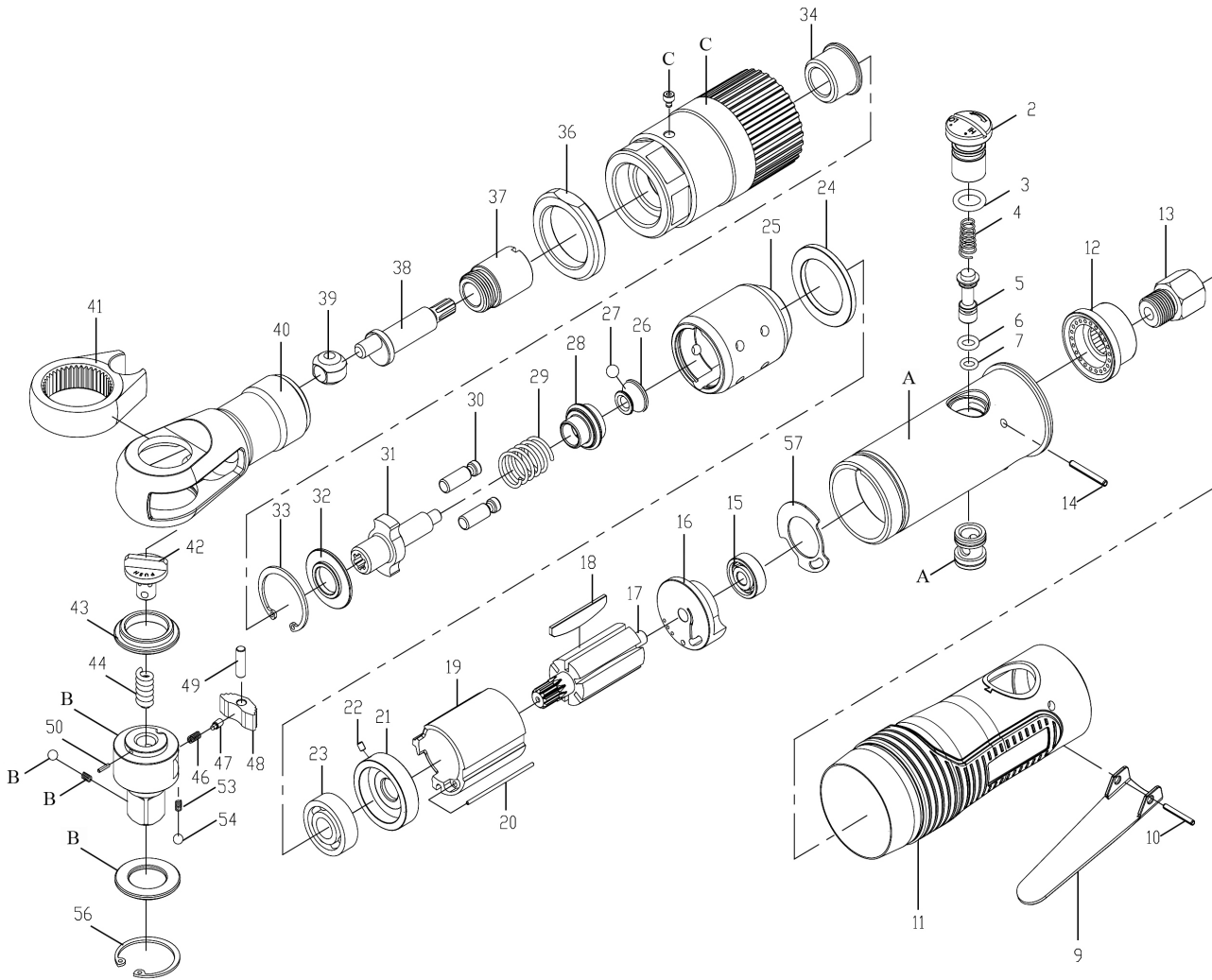




Parts Information:  
**Air Ratchet Wrench Reactionless 3/8" Sq  
Drive  
Model No: SA615**



**NOTE:** It is our policy to continually improve products and as such we reserve the right to alter data, specifications and component parts without prior notice.

**IMPORTANT:** No liability is accepted for incorrect use of product.

**WARRANTY:** Guarantee is 12 months from purchase date, proof of which will be required for any claim.

Sealey Group, Kempson Way, Suffolk Business Park, Bury St Edmunds, Suffolk. IP32 7AR



01284 757500



01284 703534



sales@sealey.co.uk



www.sealey.co.uk



Parts Information:  
**Air Ratchet Wrench Reactionless 3/8" Sq  
Drive  
Model No: SA615**

A	SA615.01A	HOUSING (c/w VALVE BUSHING)
2	SA616.02	AIR REGULATOR
3	SA616.03	O-RING
4	SA616.04	SPRING
5	SA616.05	VALVE STEM
6	SA616.06	O-RING
7	SA616.07	O-RING
9	SA616.09	THROTTLE LEVER
10	SA616.10	THROTTLE LEVER PIN
11	SA616.11	HANDLE GRIP
12	SA616.12	MUFFLER COVER
13	SA616.13	AIR INLET BUSHING
14	SA616.14	THROTTLE LEVER PIN
15	SA616.15	BEARING
16	SA616.16	REAR END PLATE
17	SA616.17	ROTOR
18	SA616.18	ROTOR BLADE
19	SA616.19	CYLINDER
20	SA616.20	PIN
21	SA616.21	FRONT END PLATE
22	SA616.22	PIN
23	SA616.23	BEARING
24	SA616.24	WASHER
25	SA616.25	HAMMER CAGE
26	SA616.26	DRIVE BALL SEAT
27	SB-6.0	STEEL BALL 6.0mm
28	SA616.28	CAM
29	SA616.29	SPRING

Item	Part No.	Description
30	SA616.30	HAMMER PIN
31	SA616.31	ANVIL
32	SA616.32	LIPPED WASHER
33	SA616.33	RETAINING RING
34	SA616.34	ANVIL BUSHING
C	SA616.35A	CONNECTING SET ASS'Y
36	SA616.36	NUT
37	SA616.37	BUSHING
38	SA616.38	CRANKSHAFT
39	SA616.39	DRIVE BUSHING
40	SA616.40	RATCHET HOUSING
41	SA616.41	RATCHET YOKE
42	SA616.42	REVERSE SWITCH
43	SA616.43	WASHER
44	SA616.44	VALVE SPRING
B	SA615.45A	3/8" RATCHET ANVIL ASS'Y
46	SA616.46	SPRING
47	SA616.47	LOCKING PIN
48	SA616.48	RATCHET PAWL
49	SA616.49	PIN
50	SA616.50	PIN
53	SA616.53	SPRING
54	SB-4.0	STEEL BALL 4.0mm
55	SA616.55	THRUST WASHER (1/2")
56	SA616.56	RETAINING RING
57	SA616.57	GASKET

**NOTE:** It is our policy to continually improve products and as such we reserve the right to alter data, specifications and component parts without prior notice.

**IMPORTANT:** No liability is accepted for incorrect use of product.

**WARRANTY:** Guarantee is 12 months from purchase date, proof of which will be required for any claim.

**Sealey Group**, Kempson Way, Suffolk Business Park, Bury St Edmunds, Suffolk. IP32 7AR



01284 757500



01284 703534



sales@sealey.co.uk



www.sealey.co.uk