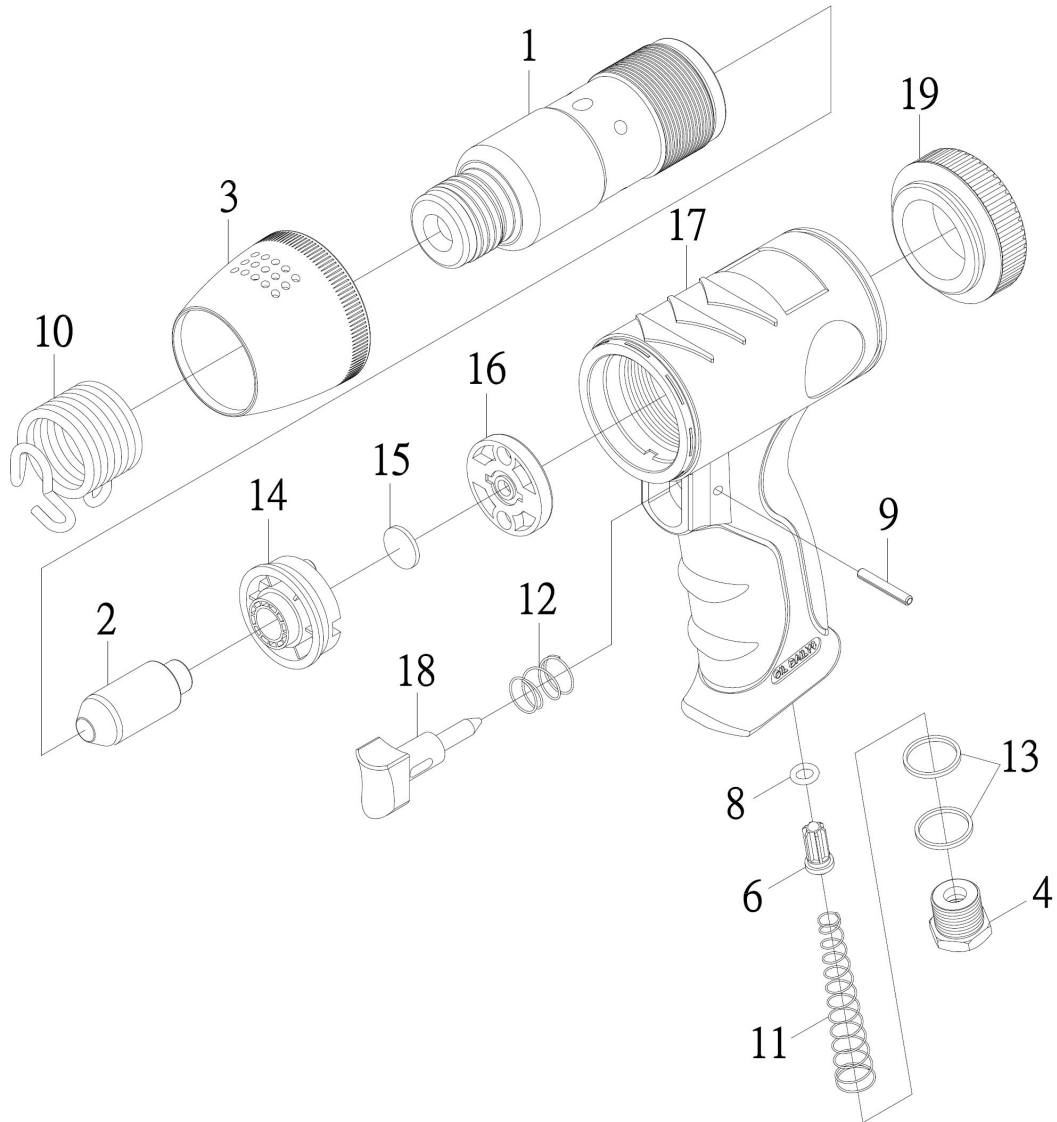




Parts Information:  
**Air Hammer Kit Composite Premier -  
 Medium Stroke**  
**Model No: SA613.V2**



Item	Part No.	Description
1	SA613.V2-01	CYLINDER
2	SA613.V2-02	PISTON
3	SA614.V2-03	EXHAUST DEFLECTOR
4	SA614.V2-04	AIR INLET BUSHING
6	SA614.V2-06	VALVE STEM
8	SA614.V2-08	O-RING
9	SA614.V2-09	ROLL PIN
10	SA614.V2-10	SPRING RETAINER
--	SA11R/17	RETAINING SPRING for AIR HAMMER (NOT SHOWN)

Item	Part No.	Description
11	SA614.V2-11	SPRING
12	SA614.V2-12	SPRING
13	SA614.V2-13	SHIM PLATE
14	SA614.V2-14	VALVE CASE
15	SA614.V2-15	VALVE DISC
16	SA614.V2-16	LID-VALVE
17	SA614.V2-17	HOUSING
18	SA614.V2-18	TRIGGER
19	SA614.V2-19	AIR CUSHION

**NOTE:** It is our policy to continually improve products and as such we reserve the right to alter data, specifications and component parts without prior notice.

**IMPORTANT:** No liability is accepted for incorrect use of product.

**WARRANTY:** Guarantee is 12 months from purchase date, proof of which will be required for any claim.

**Sealey Group**, Kempson Way, Suffolk Business Park, Bury St Edmunds, Suffolk. IP32 7AR



01284 757500



01284 703534



sales@sealey.co.uk



www.sealey.co.uk