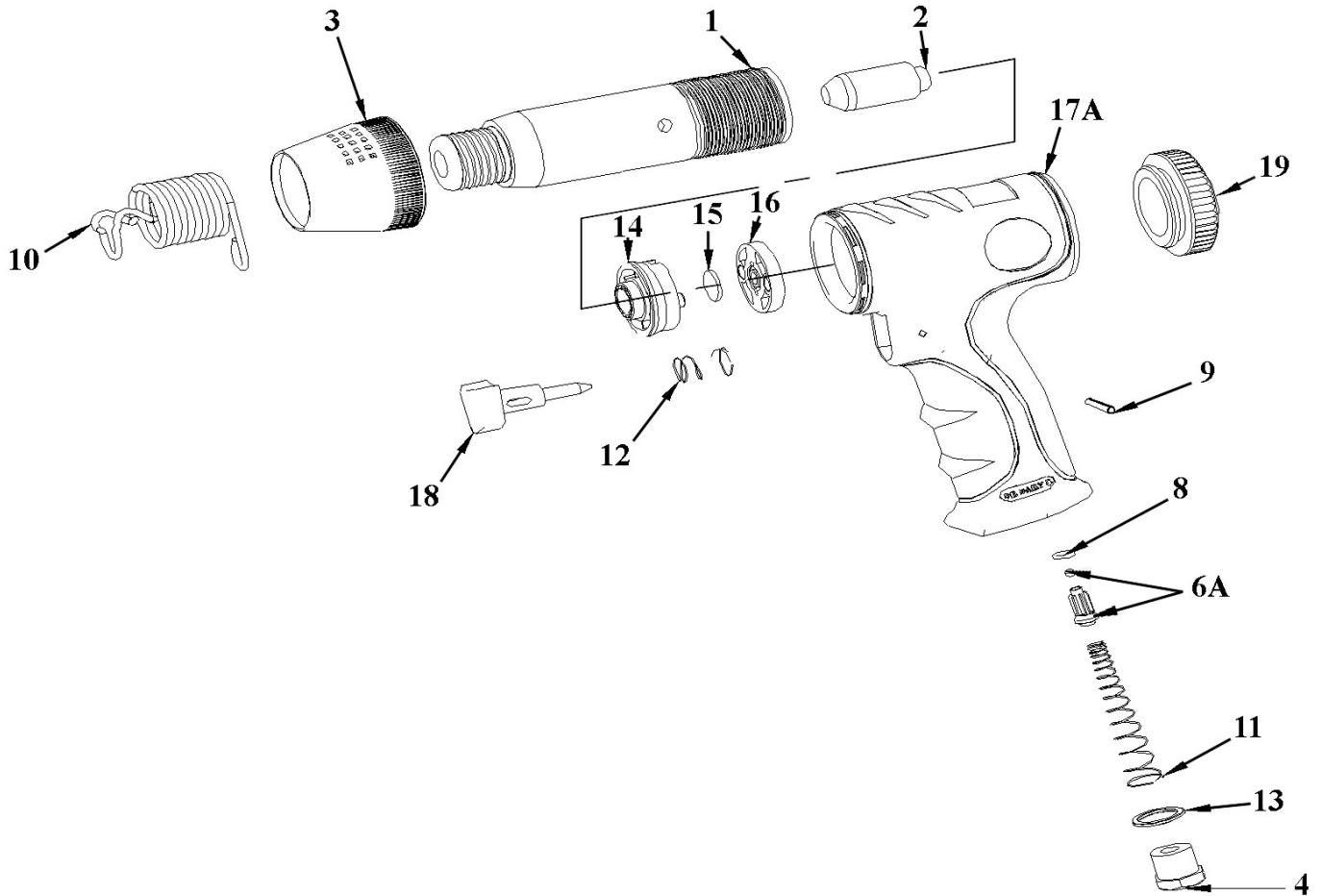




Parts Information:
**Air Hammer Kit Composite Premier -
 Medium Stroke
 Model No: SA613**



Item	Part No.	Description
1	SA613.01	CYLINDER (120mm)
2	SA613.02	PISTON (42mm)
3	SA613.03	EXHAUST DEFLECTOR
4	SA613.04	AIR INLET
--	SA613.05	VALVE SLEEVE (NOT SHOWN)
--	SA613.06	VALVE STEM (NOT SHOWN)
6A	SA613.06A	VALVE STEM ASS'Y
--	SB-4.0	STEEL BALL 4.0mm (NOT SHOWN)
8	SA613.08	O-RING
9	SA613.09	ROLL PIN
10	SA613.10	SPRING RETAINER

Item	Part No.	Description
--	SA11R/17	RETAINING SPRING for AIR HAMMER (NOT SHOWN)
11	SA613.11	SPRING
12	SA613.12	SPRING
13	SA613.13	SHIM PLATE
14	SA613.14	VALVE CASE
15	SA613.15	VALVE DISC
16	SA613.16	LID-VALVE
--	SA613.17	HOUSING (NOT SHOWN)
17A	SA613.17A	HOUSING ASS'Y
18	SA613.18	TRIGGER
19	SA613.19	AIR CUSHION

NOTE: It is our policy to continually improve products and as such we reserve the right to alter data, specifications and component parts without prior notice.

IMPORTANT: No liability is accepted for incorrect use of product.

WARRANTY: Guarantee is 12 months from purchase date, proof of which will be required for any claim.

Sealey Group, Kempson Way, Suffolk Business Park, Bury St Edmunds, Suffolk. IP32 7AR



01284 757500



01284 703534



sales@sealey.co.uk



www.sealey.co.uk