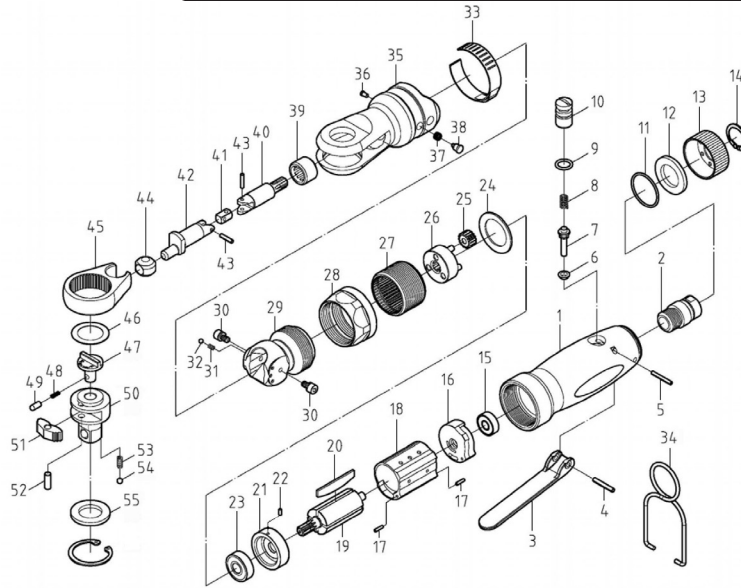




Parts Information:
Air Flexi-Head Ratchet Wrench 1/2" Sq Drive
Model No: SA610



Item	Part No.	Description
1	SA609.01	HOUSING
2	SA609.02	AIR INLET
3	SA609.03	TRIGGER
4	SA609.04	SPRING PIN
5	SA609.05	SPRING PIN
6	SA609.06	PACKING
7	SA609.07	VALVE ROD
8	SA609.08	SPRING
9	SA609.09	O-RING
10	SA609.10	REGULATOR
11	SA609.11	O-RING
12	SA609.12	MUFFLER FILTER
13	SA609.13	EXHAUST DEFLECTOR
14	SA609.14	RETAINING RING
15	B/606ZZ	BEARING 606ZZ
16	SA609.16	REAR PLATE
17	SA609.17	SPRING PIN
18	SA609.18	CYLINDER
19	SA609.19	ROTOR
20	SA609.20	ROTOR BLADE
21	SA609.21	FRONT PLATE
22	SA609.22	PIN
23	B/608ZZ	BEARING 608ZZ
24	SA609.24	DISHED WASHER
25	SA609.25	GEAR
26	SA609.26	CARRIER
27	SA609.27	INTERNAL GEAR
28	SA609.28	LOCK NUT

Item	Part No.	Description
29	SA609.29	RATCHET HOUSING
30	SCB46.SB	SOCKET HEAD CAP SCREW M4x6 BLACK
31	SA609.31	SPRING
32	SB-3.0	STEEL BALL 3.0mm
33	SA609.33	CLAMP RING
34	SA609.34	COMPRESSION SPRING
35	SA609.35	RATCHET HOUSING
36	SA609.36	PIN
37	SA609.37	SPRING
38	SA609.38	PIN
39	B/HK1212	NEEDLE BEARING HK1212
40	SA609.40	ANVIL
41	SA609.41	JOINT
42	SA609.42	ECCENTRIC SHAFT
43	SA609.43	SPRING PIN M2.6 X 10
44	SA609.44	DRIVE BUSHING
45	SA609.45	YOKE
46	SA609.46	WASHER
47	SA609.47	REVERSE LEVER
48	SA609.48	SPRING
49	SA609.49	LOCK PIN
50	SA610.50	RATCHET ANVIL 1/2"
51	SA609.51	RATCHET PAWL
52	SA609.52	PIN
53	SA609.53	SPRING
54	SB-4.0	STEEL BALL 4.0mm
55	SA610.55	THRUST WASHER 1/2"

NOTE: It is our policy to continually improve products and as such we reserve the right to alter data, specifications and component parts without prior notice.

IMPORTANT: No liability is accepted for incorrect use of product.

WARRANTY: Guarantee is 12 months from purchase date, proof of which will be required for any claim.

Sealey Group, Kempson Way, Suffolk Business Park, Bury St Edmunds, Suffolk. IP32 7AR



01284 757500



01284 703534



sales@sealey.co.uk



www.sealey.co.uk