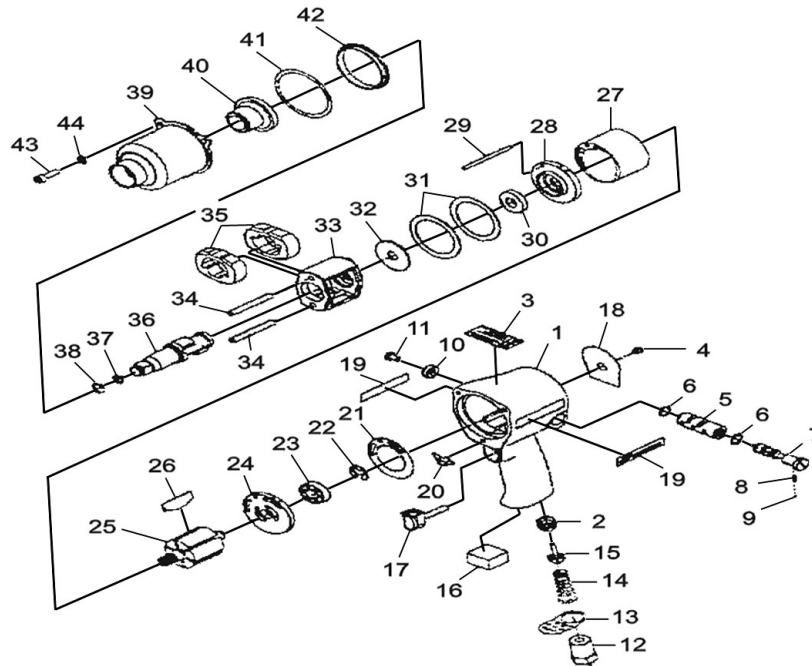




Parts Information:
Air Impact Wrench 1/2" Sq Drive Twin Hammer
Model No: SA6021



Item	Part No.	Description
1	SA6021.01	MOTOR HOUSING
2	SA6021.02	THROTTLE VALVE SEAT
3	SA6021.03	WARNING LABEL
4	SA6021.04	GREASE FITTING
5	SA602.V3-40	BUSHING, RELEASE VALVE
6	SA602.V3-41	O-RING
7	SA602.V3-37	RELEASE VALVE
8	SA602.V3-39	SPRING
9	SB-3.2	STEEL BALL 3.2mm
10	SA602.V3-36	RELEASE VALVE KNOB
11	BHSS612.SB	BUTTON HEAD SOCKET SCREW M6x12 BLACK
12	SA602.V3-34	HOSE FITTING
13	SA6021.13	EXHAUST DEFLECTOR
14	SA6021.14	THROTTLE VALVE SPRING
15	SA6021.15	THROTTLE VALVE
16	SA6021.16	EXHAUST SILENCER
17	SA6021.17	TRIGGER ASSEMBLY
18	SA6021.18	NAMEPLATE
19	SA6021.19	LABEL
20	SA6021.20	TRIGGER RETAINER
21	SA602.V3-23	GASKET, REAR END PLATE
22	SA602.V3-24	E-RING
23	B/6001Z	BEARING 6001Z
24	SA602.V3-21	REAR END PLATE

Item	Part No.	Description
25	SA602.V3-17	ROTOR
26	SA602.V3-18	ROTOR BLADE
27	SA602.V3-20	CYLINDER
28	SA602.V3-16	FRONT END PLATE
29	SA602.V3-19	LOCK PIN, CYLINDER
30	B/EE4	BEARING EE4
31	SA602.V3-06	MOTOR CLAMP WASHER
32	SA602.V3-14	WASHER, HAMMER
33	SA602.V3-13	HAMMER CAGE
34	SA602.V3-11	HAMMER PIN
35	SA602.V3-12	HAMMER DOG
36	SA602.V3-10	ANVIL
37	SA602.V3-09	O-RING
38	SA602.V3-08	RETAINING RING
39	SA602.V3-01	CLUTCH HOUSING (INCLUDES ANVIL BUSHING)
40	SA602.V3-01	CLUTCH HOUSING (INCLUDES ANVIL BUSHING)
41	SA602.V3-04	FRONT GASKET
42	SA602.V3-05	CLUTCH HOUSING PILOT
43	SCB518.SB	SOCKET HEAD CAP SCREW M5x18 BLACK
44	SWM5.SB	SPRING WASHER M5 BLACK (SINGLE)
--	SA602.V3-42	MAIN HOUSING RUBBER SLEEVE (NOT SHOWN)

NOTE: It is our policy to continually improve products and as such we reserve the right to alter data, specifications and component parts without prior notice.

IMPORTANT: No liability is accepted for incorrect use of product.

WARRANTY: Guarantee is 12 months from purchase date, proof of which will be required for any claim.

Sealey Group, Kempson Way, Suffolk Business Park, Bury St Edmunds, Suffolk. IP32 7AR



01284 757500



01284 703534



sales@sealey.co.uk



www.sealey.co.uk