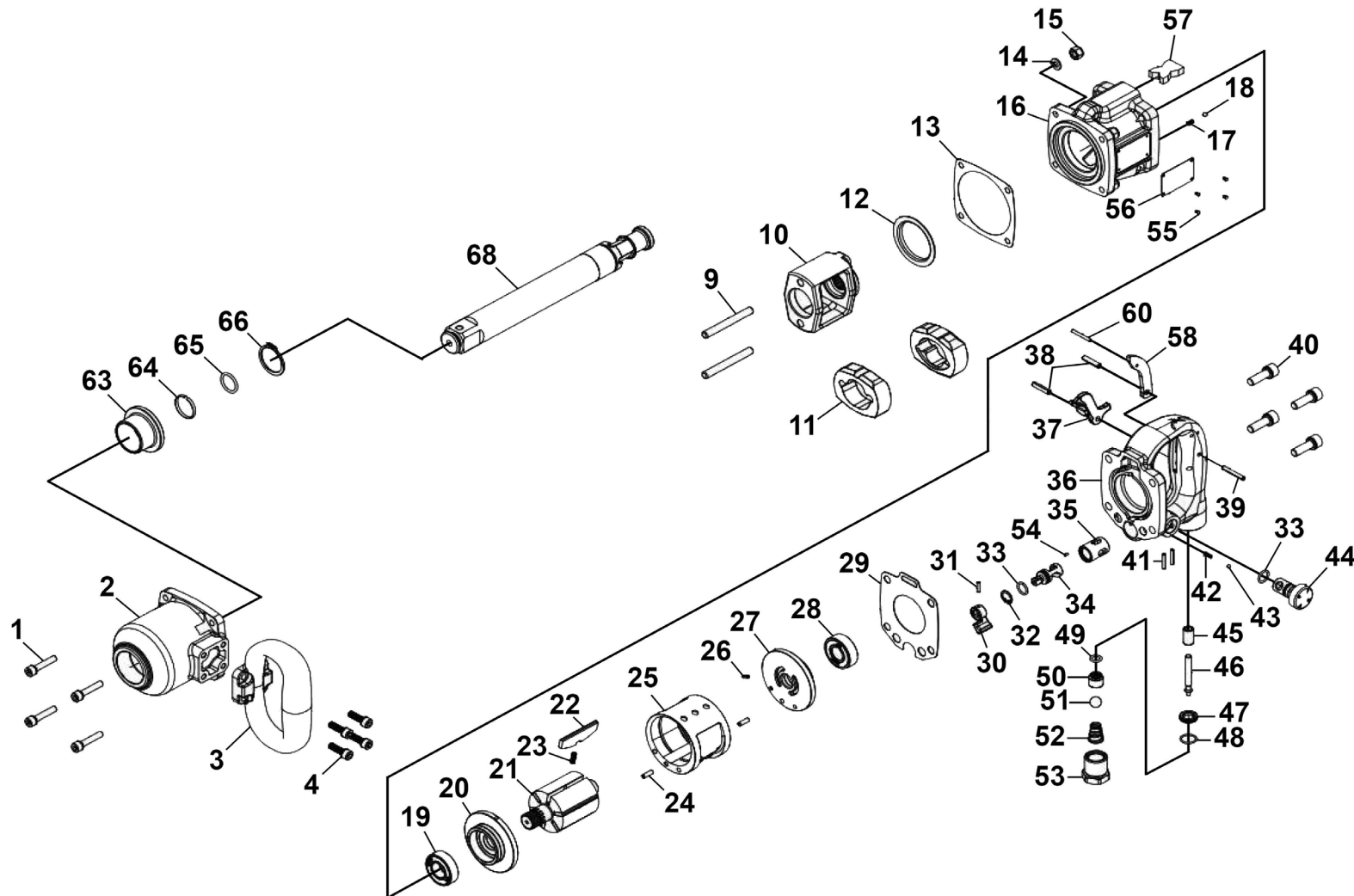




Parts Information:  
1" Sq 6" Extended Anvil Impact Wrench  
Model No: SA6009



**NOTE:** It is our policy to continually improve products and as such we reserve the right to alter data, specifications and component parts without prior notice.

There may be alternative versions of this product, please contact us should you require this information.

**IMPORTANT:** No liability is accepted for incorrect use of product. Spare parts must be fitted by a competent person

**WARRANTY:** Guarantee is 12 months from purchase date, proof of which will be required for any claim.

Sealey Group, Kempson Way, Suffolk Business Park, Bury St Edmunds, Suffolk. IP32 7AR



01284 757500



sales@sealey.co.uk



www.sealey.co.uk



Parts Information:  
**1" Sq 6" Extended Anvil Impact Wrench**  
**Model No: SA6009**

Item	Part No.	Description	Qty
1	SCB630.SB	Socket Cap Bolt M6 x 30mm Black	4
2	SA6009-02	Hammer Case	1
3	SA6009-03	Side Handle	1
4	SCB620.SB	Socket Cap Bolt M6 x 20mm Black	4
9	SA6009-09	Hammer Pin	2
10	SA6009-10	Hammer Cage	1
11	SA6009-11	Hammer Dog	2
12	SA6009-12	Hammer Washer	1
13	SA6009-13	Gasket for Motor Housing	1
14	FWM6.SB	Flat Washer M6 Black	4
15	NLN6.SB	Nyloc Nut M6 Black	4
16	SA6009-16	Motor Housing	1
17	SA6009-17	Spring	1
18	SB-3.5	Steel Ball 3.5mm	1
19	B/6202ZZ	Bearing 6202zz	1
20	SA6009-20	Front End Plate	1
21	SA6009-21	Rotor	1
22	SA6009-22	Rotor Blade	6
23	SA6009-23	Spring	6
24	SA6009-24	Spring Pin	2
25	SA6009-25	Cylinder	1
26	SA6009-26	Spring Pin	1
27	SA6009-27	Rear End Plate	1
28	B/6202ZZ	Bearing 6202zz	1
29	SA6009-29	Rear End Gasket	1
30	SA6009-30	Reverse Valve	1
31	SA6009-31	Spring Pin	1
32	SA6009-32	Snap Ring	1
33	SA6009-33	O-Ring	2
34	SA6009-34	Reverse Valve	1

Item	Part No.	Description	Qty
35	SA6009-35	Reverse Valve Bushing	1
36	SA6009-36	Rear Handle	1
37	SA6009-37	Trigger (Inner)	1
38	SA6009-38	Trigger Pin	2
39	SA6009-39	Rear Handle Pin	1
40	SCB825.SB	Socket Cap Bolt M8 x 25mm Black	4
41	SA6009-41	Spring Pin	2
42	SA6009-42	Pin	1
43	SB-3.5	Steel Ball 3.5mm	1
44	SA6009-44	Air Regulator	1
45	SA6009-45	Bushing	1
46	SA6009-46	Throttle Pin	1
47	SA6009-47	Throttle Bushing	1
48	SA6009-48	O-Ring	1
49	SA6009-49	O-Ring	1
50	SA6009-50	Valve Stem	1
51	SA6009-51	Nylon Ball 7/16"	1
52	SA6009-52	Spring	1
53	SA6009-53	Hose Fitting	1
54	SA6009-54	Pin	1
55	SA6009-55	Rivet	4
56	SA6009-56	Name Plate	1
57	SA6009-57	Muffler	1
58	SA6009-58	Plug (for Inner Trigger)	1
60	SA6009-60	Spring Pin	1
63	SA6009-63	Anvil Bushing 1"	1
64	SA6009-64	Socket Retainer	1
65	SA6009-65	O-Ring	1
66	SA6009-66	Retaining Ring	1
68	SA6009-68	Anvil 1" x 6" Extended	1

**NOTE:** It is our policy to continually improve products and as such we reserve the right to alter data, specifications and component parts without prior notice. There may be alternative versions of this product, please contact us should you require this information.

**IMPORTANT:** No liability is accepted for incorrect use of product. Spare parts must be fitted by a competent person

**WARRANTY:** Guarantee is 12 months from purchase date, proof of which will be required for any claim.

Sealey Group, Kempson Way, Suffolk Business Park, Bury St Edmunds, Suffolk. IP32 7AR



01284 757500



sales@sealey.co.uk



www.sealey.co.uk