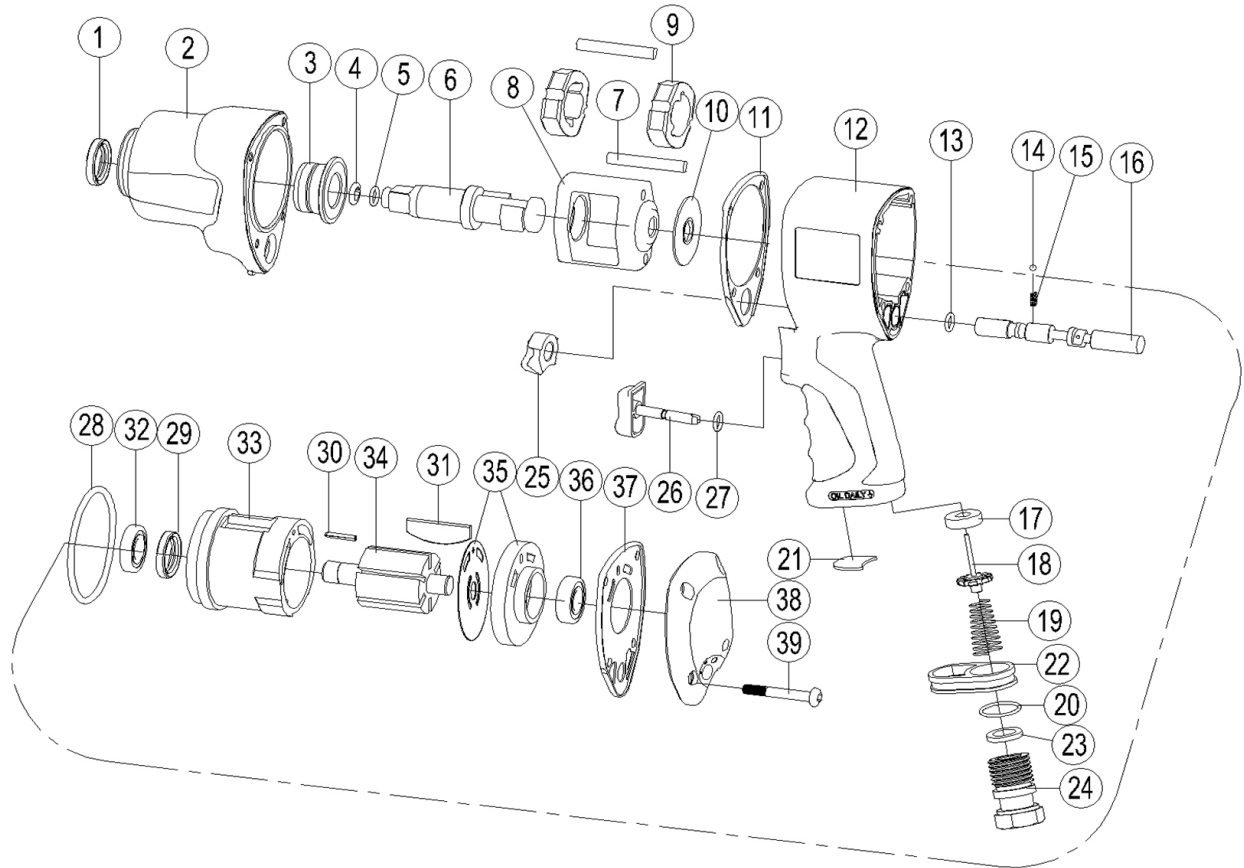


Parts Information:  
**Air Impact Wrench 3/4" Sq Drive Compact  
 Twin Hammer**  
**Model No: SA6004**



Item	Part No.	Description
1	SA6004.01	OIL SEAL
2	SA6004.02	HAMMER CASE
3	SA6004.03	BUSHING
4	SA6004.04	ANVIL COLLAR
5	SA6004.05	O-RING
6	SA6004.06	ANVIL
7	SA6004.07	HAMMER PIN
8	SA6004.08	HAMMER CAGE
9	SA6004.09	HAMMER DOG
10	SA6004.10	SPACER
11	SA6004.11	FRONT GASKET
12	SA6004.12	MOTOR HOUSING
13	SA6004.13	O-RING
14	SB-3.2	STEEL BALL 3.2mm
15	SA6004.15	SPRING
16	SA6004.16	REVERSE VALVE
17	SA6004.17	RETAINER
18	SA6004.18	VALVE STEM
19	SA6004.19	SPRING
20	SA6004.20	O-RING

Item	Part No.	Description
21	SA6004.21	MUFFLER
22	SA6004.22	EXHAUST DEFLECTOR
23	SA6004.23	SEAL RING
24	SA6004.24	HOSE ADAPTOR
25	SA6004.25	REGULATOR KNOB
26	SA6004.26	TRIGGER
27	SA6004.27	O-RING
28	SA6004.28	O-RING
29	SA6004.29	OIL SEAL
30	SA6004.30	SPRING PIN
31	SA6004.31	ROTOR BLADE
32	B/6002ZZ	BEARING 6002ZZ
33	SA6004.33	CYLINDER
34	SA6004.34	ROTOR
35	SA6004.35	REAR PLATE
36	B/6000ZZ	BEARING 6000ZZ
37	SA6004.37	REAR GASKET
38	SA6004.38	REAR COVER
39	SA6004.39	SCREW

**NOTE:** It is our policy to continually improve products and as such we reserve the right to alter data, specifications and component parts without prior notice.

**IMPORTANT:** No liability is accepted for incorrect use of product.

**WARRANTY:** Guarantee is 12 months from purchase date, proof of which will be required for any claim.