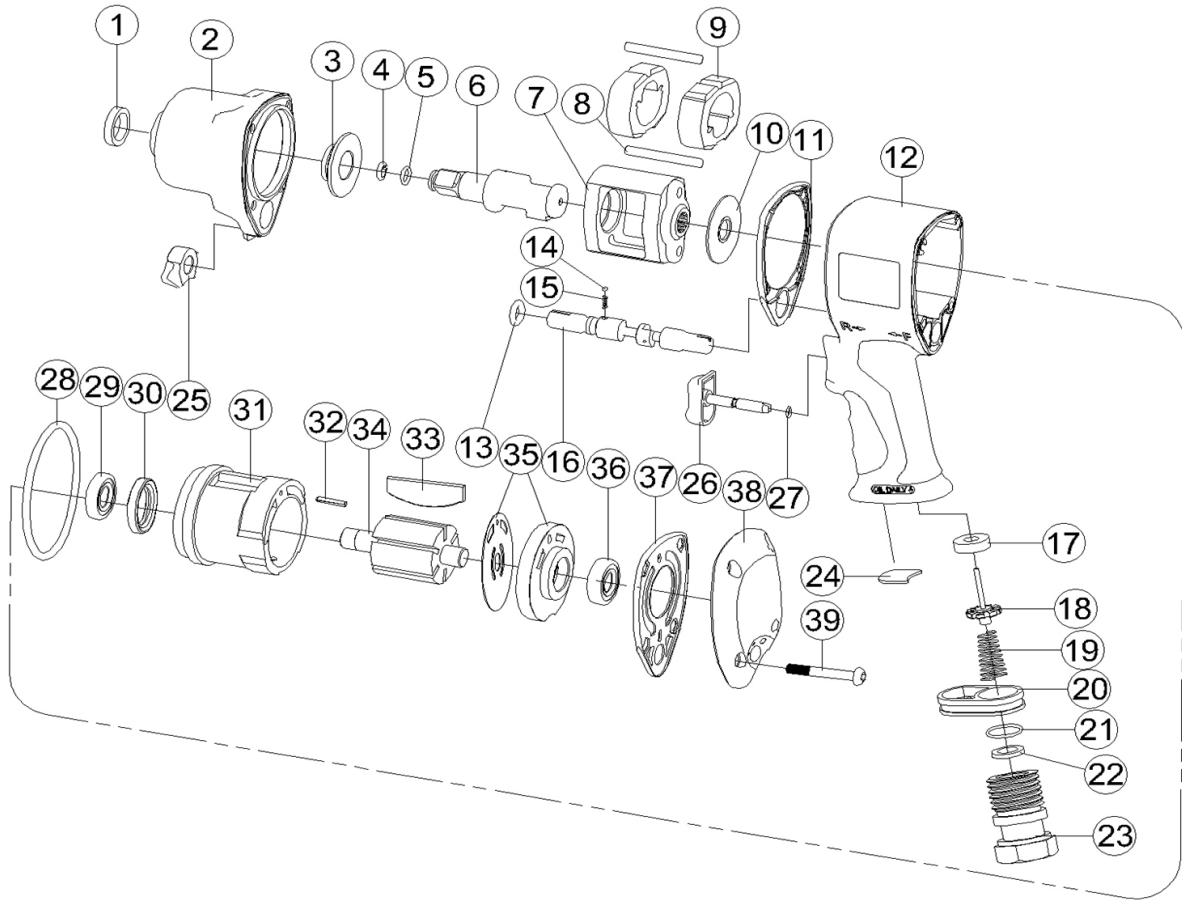


Parts Information:  
**Air Impact Wrench 1/2" Sq Drive Twin Hammer**  
**Model No: SA6002.V3**



Item	Part No.	Description
1	SA6002.V3-01	OIL SEAL
2	SA6002.V3-02	HAMMER CASE
3	SA6002.V3-03	BUSHING
4	SA6002.V3-04	ANVIL COLLAR
5	SA6002.V3-05	O-RING
6	SA6002.V3-06	ANVIL
7	SA6002.V3-07	HAMMER CAGE
8	SA6002.V3-08	HAMMER PIN
9	SA6002.V3-09	HAMMER DOG
10	SA6002.V3-10	WASHER
11	SA6002.V3-11	FRONT GASKET
12	SA6002.V3-12	MOTOR HOUSING
13	SA6002.V3-13	O-RING
14	SA6002.V3-14	STEEL BALL 3.0mm
15	SA6002.V3-15	SPRING
16	SA6002.V3-16	REVERSE VALVE
17	SA6002.V3-17	RETAINER
18	SA6002.V3-18	VALVE STEM
19	SA6002.V3-19	SPRING
20	SA6002.V3-20	EXHAUST DEFLECTOR

Item	Part No.	Description
21	SA6002.V3-21	O-RING
22	SA6002.V3-22	SEAL RING
23	SA6002.V3-23	HOSE ADAPTOR (19PF-BSP)
24	SA6002.V3-24	MUFFLER
25	SA6002.V3-25	REGULATOR KNOB
26	SA6002.V3-26	TRIGGER
27	SA6002.V3-27	O-RING
28	SA6002.V3-28	O-RING
29	B/R6	BEARING R6
30	SA6002.V3-30	OIL SEAL
31	SA6002.V3-31	CYLINDER
32	SA6002.V3-32	SPRING PIN
33	SA6002.V3-33	ROTOR BLADE
34	SA6002.V3-34	ROTOR
35	SA6002.V3-35	REAR PLATE
36	B/608Z	BEARING 608Z
37	SA6002.V3-37	REAR GASKET
38	SA6002.V3-38	REAR COVER
39	SA6002.V3-39	SCREW

**NOTE:** It is our policy to continually improve products and as such we reserve the right to alter data, specifications and component parts without prior notice.

**IMPORTANT:** No liability is accepted for incorrect use of product.

**WARRANTY:** Guarantee is 12 months from purchase date, proof of which will be required for any claim.