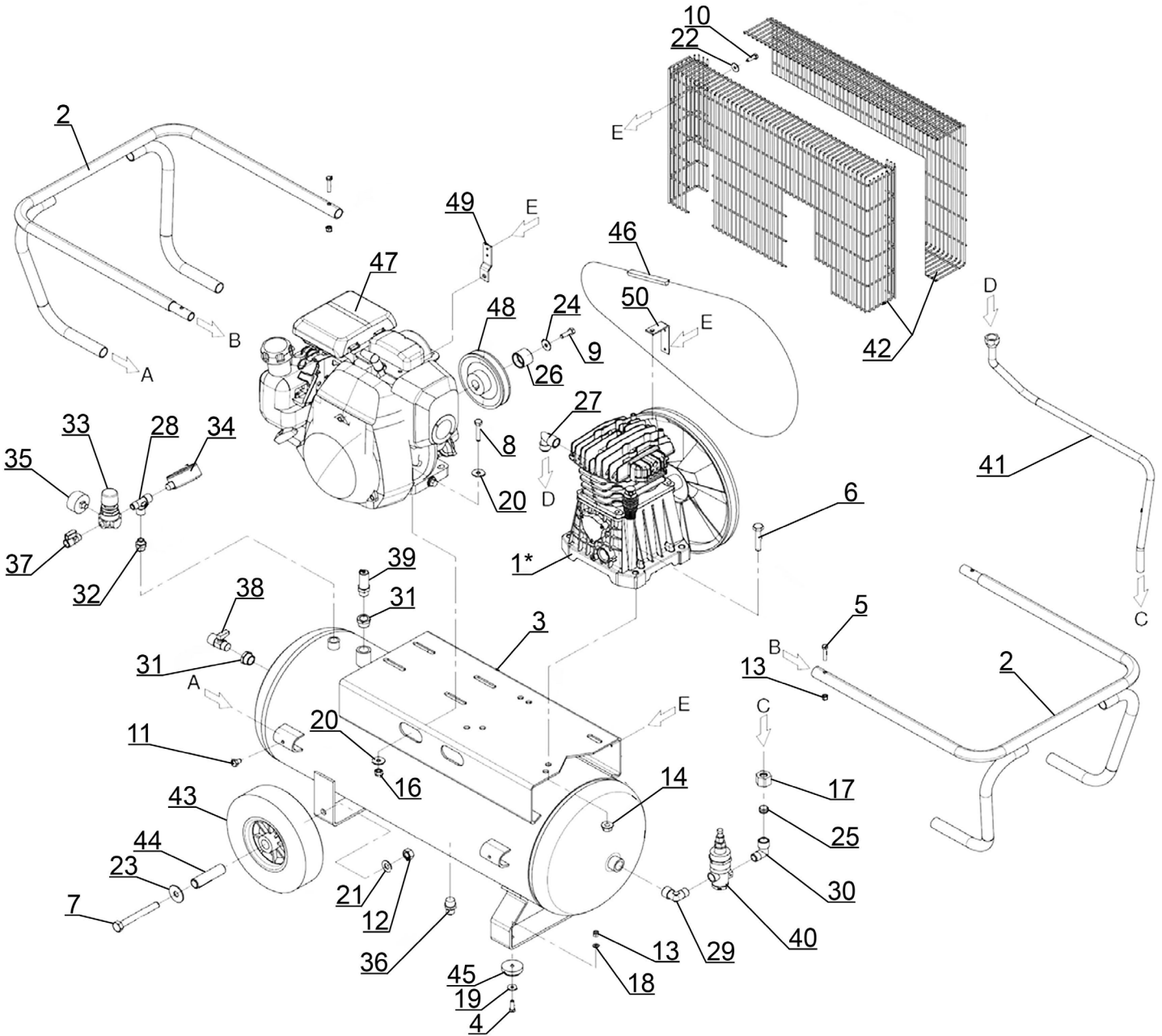




Parts Information:  
**50L Belt Drive Air Compressor with Petrol Engine 4hp**  
**Model No: SA5040**



**NOTE:** It is our policy to continually improve products and as such we reserve the right to alter data, specifications and component parts without prior notice. There may be alternative versions of this product, please contact us should you require this information.

**IMPORTANT:** No liability is accepted for incorrect use of product. Spare parts must be fitted by a competent person

**WARRANTY:** Guarantee is 12 months from purchase date, proof of which will be required for any claim.

Sealey Group, Kempson Way, Suffolk Business Park, Bury St Edmunds, Suffolk. IP32 7AR



01284 757500



sales@sealey.co.uk



www.sealey.co.uk



Parts Information:  
**50L Belt Drive Air Compressor with Petrol  
Engine 4hp  
Model No: SA5040**

Item	Part No.	Description	Qty
1*	SAC9101880000	Pump Unit ( <b>See Separate Diagram</b> )	1
2	SA5055.02	Frame (Set of 2)	1
3	SA5055.03	Tank 50L	1
4	SA5055.04	Screw M6 x 20mm	2
5	SA5055.05	Screw M6 x 30mm	4
6	SA5055.06	Screw M10 x 50mm	4
7	HHB12100.S	Hex Head Bolt M12 x 100mm	2
8	SA5055.08	Screw M8 x 45mm	1
9	SA5055.09	Screw 5/16"	4
10	SA5040.P35	Screw M5 x 12mm	4
11	SA5055.11	Screw M8 x 12mm	2
12	SN12.S	Steel Nut M12	2
13	SN6.S	Steel Nut M6	6
14	SN10.S	Steel Nut M10	1
16	SN8.S	Steel Nut M8	4
17	SA5055.17	Nut 1/2"	1
18	SA5055.18	Washer 6mm	2
19	SA5055.19	Washer 6.4 x 24mm	2
20	SA5055.20	Washer (8 x 24 x 2mm)	4
21	SA5055.21	Washer 12mm	2
22	SA5055.22	Washer (6.4 x 18 x 1.5mm)	1
23	SA5055.23	Washer (12 x 36 x 2.5mm)	2
24	SA5055.24	Washer 8mm	1
25	SA5055.25	Olive	1
26	SA5055.26	Spacer	1
27	SAC7080160000	Elbow 1/2"bsp (MM)	1
28	SAC7082050000	Cross Connector 1/4"	1
29	SA5055.29	Elbow 3/8"bsp - 1/2"bsp (M)	1

Item	Part No.	Description	Qty
30	SA5055.30	Elbow 3/8"bsp (M) - 14mm Pipe (c/w Olive)	1
31	SA5055.31	Plug	2
32	SA5055.32	Union Reducer	1
33	SAC9700001715	Pressure Reducer	1
34	SA5055.34	Pressure gauge 230psi Ø68mm (btm fitting)	1
35	SAC9700001788	Pressure gauge 240psi, Ø40mm (rear fitting)	1
36	SAC7130160000	Drain Valve 3/8"bsp (M)	1
37	SAC7130440000	Ball Valve 1/4"bsp (M)-1/4"bsp (F)	1
38	SA5055.38	Outlet Tap 3/8"	1
39	SAC7192090000	Safety Valve 10bar 3/8"bsp (M)	1
40	SA5055.40	Regulator	1
41	SA5040.41	Delivery Pipe	1
42	SAC4170030000	Belt Guard Assembly	1
43	SA5055.43	Wheel, Fixed Plastic (c/w Cap)(Ø210 x 62 x Ø20mm)	2
44	SA5055.44	Wheel Spacer	2
45	SA5055.45	Rubber Foot	2
46	V/A46	V-Belt (id-1168mm) A46	1
47	SA5040.47	Engine	1
48	SA5040.48	Pulley	1
49	SA5055.49	Belt Guard Support	1
50	SAC7458940000	Belt Guard Support	1
--	SAC7385590000	Dipstick Holder (c/w Dipstick)(Not Shown)	1
--	SA5040-AF	Air Filter (Not Shown)	1

**NOTE:** It is our policy to continually improve products and as such we reserve the right to alter data, specifications and component parts without prior notice. There may be alternative versions of this product, please contact us should you require this information.

**IMPORTANT:** No liability is accepted for incorrect use of product. Spare parts must be fitted by a competent person

**WARRANTY:** Guarantee is 12 months from purchase date, proof of which will be required for any claim.

Sealey Group, Kempson Way, Suffolk Business Park, Bury St Edmunds, Suffolk. IP32 7AR



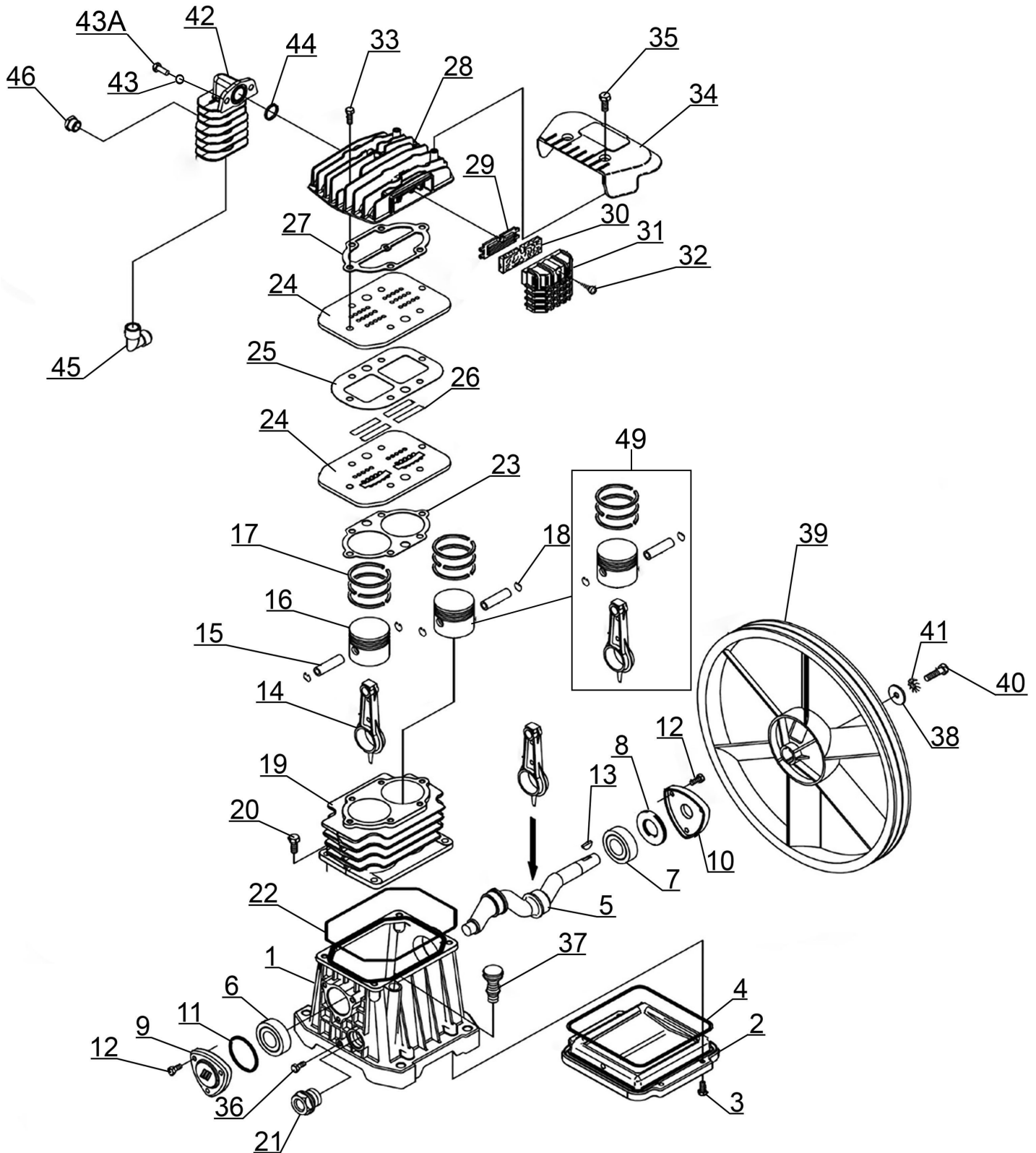
01284 757500



sales@sealey.co.uk



www.sealey.co.uk



**NOTE:** It is our policy to continually improve products and as such we reserve the right to alter data, specifications and component parts without prior notice. There may be alternative versions of this product, please contact us should you require this information.

**IMPORTANT:** No liability is accepted for incorrect use of product. Spare parts must be fitted by a competent person

**WARRANTY:** Guarantee is 12 months from purchase date, proof of which will be required for any claim.



Parts Information:  
**50L Belt Drive Air Compressor with Petrol  
Engine 4hp  
Model No: SA5040**

Item	Part No.	Description	Qty
1	SAC9700001075	Crankcase	1
2	SAC9700001076	Crankcase Cover	1
3	SAC9700000531	Screw M5 x 12mm	4
4	SAC9700001077	Crankcase Base Seal	1
5	SAC9100270140	Crankshaft	1
6	B/6203	Bearing 6203	1
7	B/6204	Bearing 6204	1
8	SAC9100270150	Oil Seal	1
9	SAC9100270160	Front Cover	1
10	SAC9100270170	Rear Cover	1
11	SA36.V2-36	O-Ring (47.93 x 40.87 x 3.53mm)	1
12	SAC7011420000	Screw M6 x 16mm	6
13	SAC9100280020	Key	1
14	SAC9100270010	Connection Rod	2
15	SAC9100270020	Gudgeon Pin	2
16	SAC9100270030	Piston Ø59mm	2
17	SAC4080120000	Piston Rings (Set of 3)	2
18	SAC9100270070	Seeger Ring (Ogive)	4
19	SAC9100270080	Cylinder (Twin)	1
20	SFS825.S	Hex Head Flange Bolt M8 x 25mm	4
21	SAC9100280070	Oil Sight Glass	1
22	SAC9100270180	Gasket, Cylinder Base	1
23	SAC9100270190	Gasket	1
24	SAC9100270090	Valve Plate	1
25	SAC9100270200	Gasket	1
26	SAC9100280090	Valve	4

Item	Part No.	Description	Qty
27	SAC9100270210	Gasket	1
28	SAC9100270100	Cylinder Head	1
29	SAC7458340000	Plate	1
30	SAC7210010000	Filter Element	1
31	SAC9100270240	Intake Filter	1
32	SAC7012100000	Rd Head S/T Screw M3.8 x 15mm	2
33	SCB855.S	Socket Cap Bolt M8 x 55mm	6
34	SAC9100270220	Cover	1
35	MSP512.S	Machine Screw Pan Head Phillips M5 x 12mm	2
36	SS616.S	Hex Head Set Screw M6 x 16mm	1
37	SAC1129700300	Breather Plug	1
38	RW825.S	Repair Washer M8 x 25mm	1
39	SAC9100270230	Flywheel	1
40	SS825.S	Hex Head Set Screw M8 x 25mm	1
41	SAC7031010000	Toothed Washer	1
42	SAC9100270270	Aftercooler	1
43	FWM8.S	Flat Washer M8	2
43A	SA5040.P43	Screw M6 x 16mm	2
44	SAC9100270280	O-Ring, Brown (27.13 x 21.89 x 2.62mm)	1
45	SAC7080160000	Elbow 1/2"bsp (MM)	1
46	SAC9700000693	Plug 3/8"	1
49	SAC9700010170	Piston Group (c/w Con Rod)	1
--	SAC9700003272	Valve Plate Assembly (Not Shown)	1
--	SAC9700000078	Gasket Kit (Not Shown)	1

**NOTE:** It is our policy to continually improve products and as such we reserve the right to alter data, specifications and component parts without prior notice. There may be alternative versions of this product, please contact us should you require this information.

**IMPORTANT:** No liability is accepted for incorrect use of product. Spare parts must be fitted by a competent person

**WARRANTY:** Guarantee is 12 months from purchase date, proof of which will be required for any claim.

Sealey Group, Kempson Way, Suffolk Business Park, Bury St Edmunds, Suffolk. IP32 7AR



01284 757500



sales@sealey.co.uk



www.sealey.co.uk