

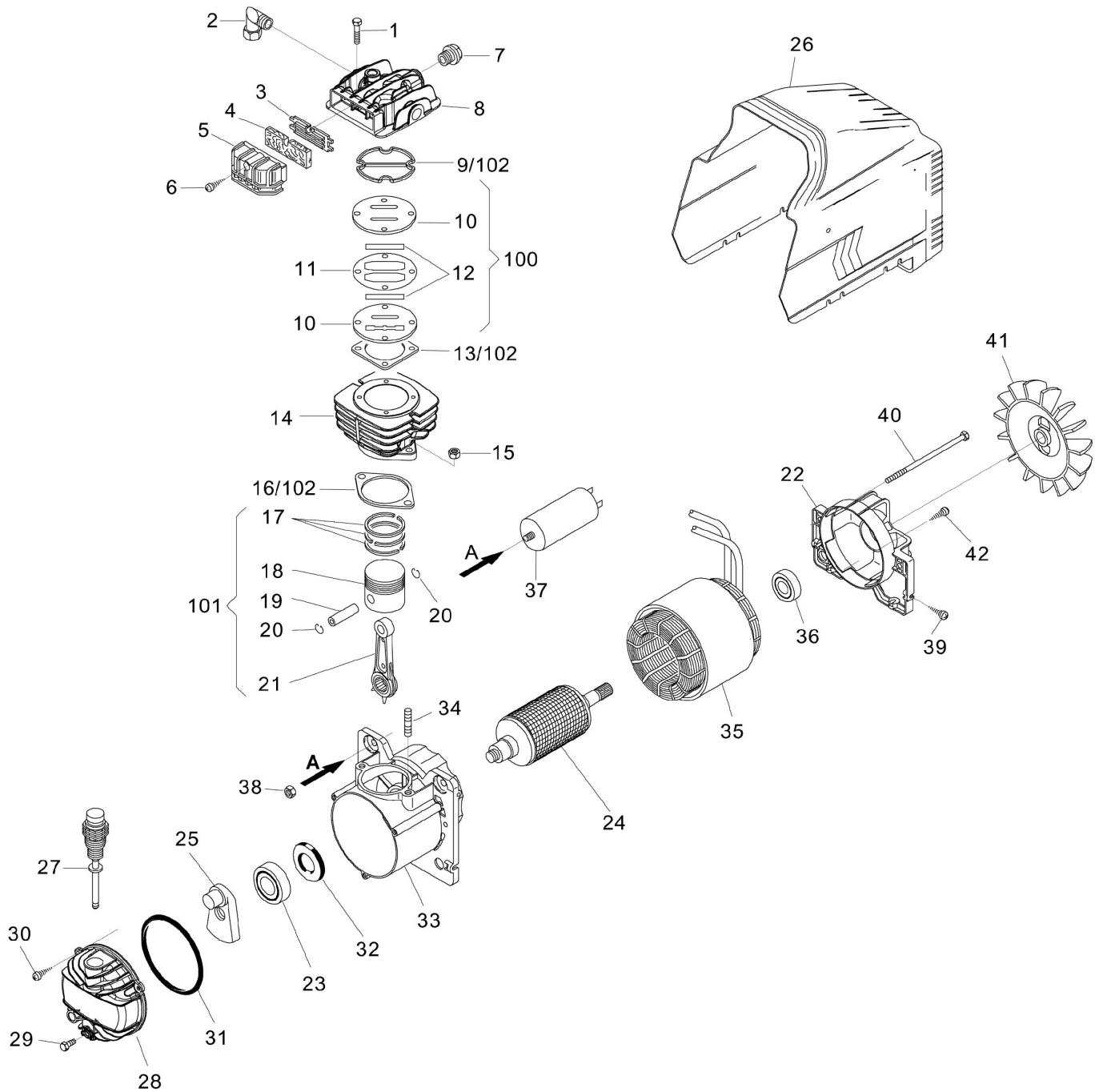
Item	Part No.	Description
1	SA2415.01	PUMP COMPLETE FOR AIR COMP /COVER INCLUD
1A	SAC7181060000	DIPSTICK
50	SA5020.50	TANK 50ltr (SO)
51	SAC9100010750	PLUG
52	SAC7360040000	RUBBER FOOT
53	SAC9700000324	TAP 3/8"
54	SA5020.54	WHEEL, FIXED (150x21x40)
55	SA5020.55	SCREW (M10*75)(LSA)
56	SN10.S	STEEL NUT M10 ZINC DIN934(SINGLE)
57	FWM10.S	FLAT WASHER M10 SINGLE
58	SA2415.58	SCREW (5x20)
60	SAC9700001763	NON RETURN VALVE
61	SAC7230010000	RISLAN HOSE (SOLD PER 1 METER)

Item	Part No.	Description
62	SAC9700000327	NUT
63	SA5020.63	INFEED HOSE
64	SA2415.64	NUT PIPE CONNECTOR
65	SAC7041070000	OLIVE (10mm ID)
66	SA2415.66	SAFETY VALVE 9Bar
67	SAC9700001698	PRESSURE SWITCH 16/20Amp 12Bar 175Psi
68	SAC7081090000	UNION 1/4"M-1/4"M
69	SAC9700001715	PRESSURE REDUCER
70	SA2415.70	HI-FLOW COUPLING
71	SAC9700001789	PRESSURE GAUGE 230 psi, 50mm OD, rear fi
72	SAC9700001788	PRESSURE GAUGE 240psi, 40mm OD, REAR FIT
100	SA2415.100	PRESSURE SWITCH KIT 16/20Amp 12Bar 175Ps

NOTE: It is our policy to continually improve products and as such we reserve the right to alter data, specifications and component parts without prior notice.

IMPORTANT: No liability is accepted for incorrect use of product.

WARRANTY: Guarantee is 12 months from purchase date, proof of which will be required for any claim.



NOTE: It is our policy to continually improve products and as such we reserve the right to alter data, specifications and component parts without prior notice.

IMPORTANT: No liability is accepted for incorrect use of product.

WARRANTY: Guarantee is 12 months from purchase date, proof of which will be required for any claim.



Parts Information:
Compressor 50ltr Direct Drive 2hp
Model No: SA5020

Item	Part No.	Description
1	SA2415.P01	HEX HEAD BOLT M6x40
1A	SAC9700010186	WASHER
2	SAC7084040000	ELBOW JOINT (C/W NUT & OLIVE)
3	SAC7458340000	PLATE
4	SAC7210010000	FILTER ELEMENT
5	SAC7210430000	INTAKE FILTER
6	SAC7012100000	RD HEAD S/T SCREW M3.8 X 15
7	SA2415.P07	VALVE
8	SA2415.P08	CYLINDER HEAD
9	SA2415.P09	GASKET
10	SAC9100010240	VALVE PLATE (SMALL CIRCULAR)
11	SA2415.P11	GASKET
12	SA2415.P12	SPLIT VALVE
13	SA2415.P13	GASKET
14	SA2415.P14	CYLINDER
15	SN8.S	STEEL NUT M8 ZINC DIN934 (SINGLE)
16	SAC7078150000	GASKET
17	SA2415.P17	PISTON RINGS SET
18	SA2415.P18	PISTON
19	SA2415.P19	PISTON PIN
20	SA2415.P20	SEEGER RING
21	SAC5050150008	CON-ROD
22	SA2415.P22	COVER

Item	Part No.	Description
23	B/6204	BEARING 6204
24	SA2415.P24	ROTOR
25	SA2415.P25	SHAFT
26	SA2415.P26	PUMP COVER
27	SAC7181060000	DIPSTICK
28	SA2415.P28	END COVER
29	SA2415.P29	SCREW (M6x12)
30	MSP516.S	MACHINE SCREW PAN HEAD PHILLIPS M5x16mm
31	SA2415.P31	O-RING
32	SAC9100270150	OIL SEAL
33	SA2415.P33	CRANKCASE
34	SAC9100010050	STUD BOLT
35	SA2415.P35	MOTOR
36	B/6203-2RS	BEARING 6203-2RS
37	SAC9700001765	CAPACITOR 25uf 450v 100x40
38	SN8.S	STEEL NUT M8 ZINC DIN934 (SINGLE)
39	SA2415.58	SCREW (5x20)
40	SAC9100010060	TENSION ROD
41	SAC9100010200	FAN
42	SA2415.P42	SCREW (M4x8)
100	SA2415.P100	VALVE KIT
101	SA2415.P101	CON-ROD/PISTON KIT
102	SA2415.P102	GASKET KITS

NOTE: It is our policy to continually improve products and as such we reserve the right to alter data, specifications and component parts without prior notice.

IMPORTANT: No liability is accepted for incorrect use of product.

WARRANTY: Guarantee is 12 months from purchase date, proof of which will be required for any claim.

Sealey Group, Kempson Way, Suffolk Business Park, Bury St Edmunds, Suffolk. IP32 7AR



01284 757500



01284 703534



sales@sealey.co.uk



www.sealey.co.uk