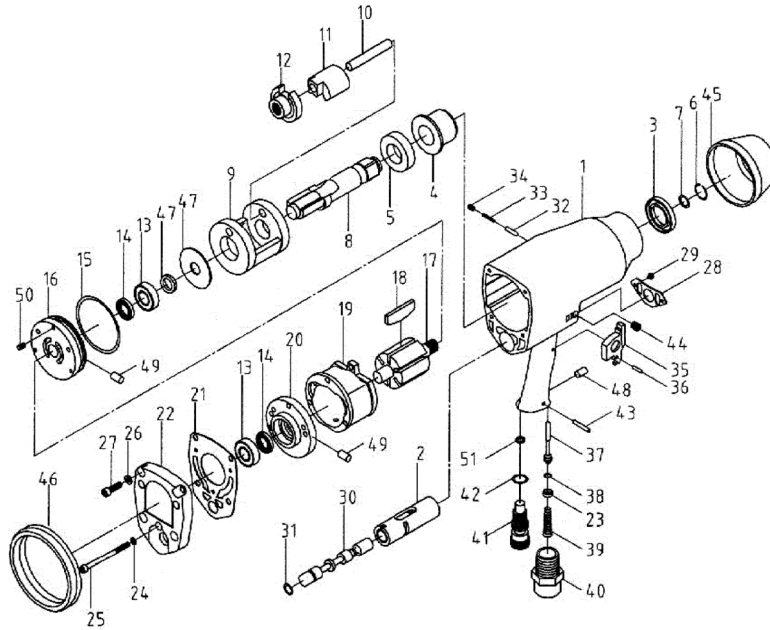




Parts Information:
Air Impact Wrench 3/4" Sq Drive Heavy-Duty
Model No: SA4.V2



| Item | Part No. | Description |
|------|------------|---|
| 1 | SA4.V2-01 | HOUSING |
| -- | SA4.V2-01A | HOUSING ASSEMBLY (PARTS 01, 02, 48) (NOT SHOWN) |
| 2 | SA4.V2-02 | VALVE SLEEVE |
| 3 | SA4.V2-03 | OIL SEAL |
| 4 | SA4.V2-04 | BUSHING |
| 5 | SA4.V2-05 | WASHER |
| 6 | SA4.V2-06 | ANVIL COLLAR 3/4" x 2.0mm |
| 7 | SA4.V2-07 | O-RING |
| 8 | SA4.V2-08 | ANVIL |
| 9 | SA4.V2-09 | HAMMER CAGE |
| 10 | SA4.V2-10 | PIN |
| 11 | SA4.V2-11 | HAMMER DOG |
| 12 | SA4.V2-12 | DRIVE CAM |
| 13 | B/6002ZZ | BEARING 6002ZZ |
| 14 | SA4.V2-14 | OIL SEAL |
| 15 | SA4.V2-15 | O-RING |
| 16 | SA4.V2-16A | FRONT PLATE ASSEMBLY (PARTS 16, 49, 50) |
| 17 | SA4.V2-17 | ROTOR |
| 18 | SA4.V2-18 | ROTOR BLADE(SET OF 6) |
| 19 | SA4.V2-19 | CYLINDER |
| 20 | SA4.V2-20A | REAR END PLATE ASSY (20 +49) |
| 21 | SA4.V2-21 | REAR GASKET |
| 22 | SA4.V2-22 | REAR COVER |
| 23 | SA4.V2-23 | BUSHING |
| 24 | SWM5.SB | SPRING WASHER M5 BLACK (SINGLE) |
| 25 | SCB570.SB | SOCKET HEAD CAP SCREW M5x70 BLACK |

| Item | Part No. | Description |
|------|------------|-----------------------------------|
| 26 | SWM6.SB | SPRING WASHER M6 BLACK(SINGLE) |
| 27 | SCB620.SB | SOCKET HEAD CAP SCREW M6x20 BLACK |
| 28 | SA4.V2-28 | MUFFLE COVER |
| 29 | SA4.V2-29 | SCREW(2) |
| 30 | SA4.V2-30 | REVERSE VALVE |
| 31 | SA4.V2-31 | O-RING |
| 32 | SA4.V2-32 | PIN |
| 33 | SA4.V2-33 | SPRING |
| 34 | SA4.V2-34 | SCREW |
| 35 | SA4.V2-35 | TRIGGER |
| 36 | SA4.V2-36 | PIN |
| 37 | SA4.V2-37 | VALVE STEM |
| 38 | SA4.V2-38 | O-RING |
| 39 | SA4.V2-39 | SPRING |
| 40 | SA4.V2-40 | AIR INLET |
| 41 | SA4.V2-41 | AIR REGULATOR |
| 42 | SA4.V2-42 | O-RING |
| 43 | SA4.V2-43 | SPRING PIN M3X19 |
| 44 | GSM86.S | GRUB SCREW M8x6 (SINGLE) |
| -- | SA4.V2-45 | PROTECTING RUBBER (NOT SHOWN) |
| 46 | SA4.V2-46 | RUBBER |
| 47 | SA4.V2-47A | WASHER M14x50 |
| 48 | SA4.V2-47B | SEAL RING |
| 49 | SA4.V2-48 | PLUG |
| 50 | SA4.V2-49 | PLUG(4) |
| 51 | SA4.V2-50 | SCREW THREAD INSERTS(3) |
| -- | SA4.V2-51 | OIL SEAL (NOT SHOWN) |

NOTE: It is our policy to continually improve products and as such we reserve the right to alter data, specifications and component parts without prior notice.

IMPORTANT: No liability is accepted for incorrect use of product.

WARRANTY: Guarantee is 12 months from purchase date, proof of which will be required for any claim.

Sealey Group, Kempson Way, Suffolk Business Park, Bury St Edmunds, Suffolk. IP32 7AR



01284 757500



01284 703534



sales@sealey.co.uk



www.sealey.co.uk