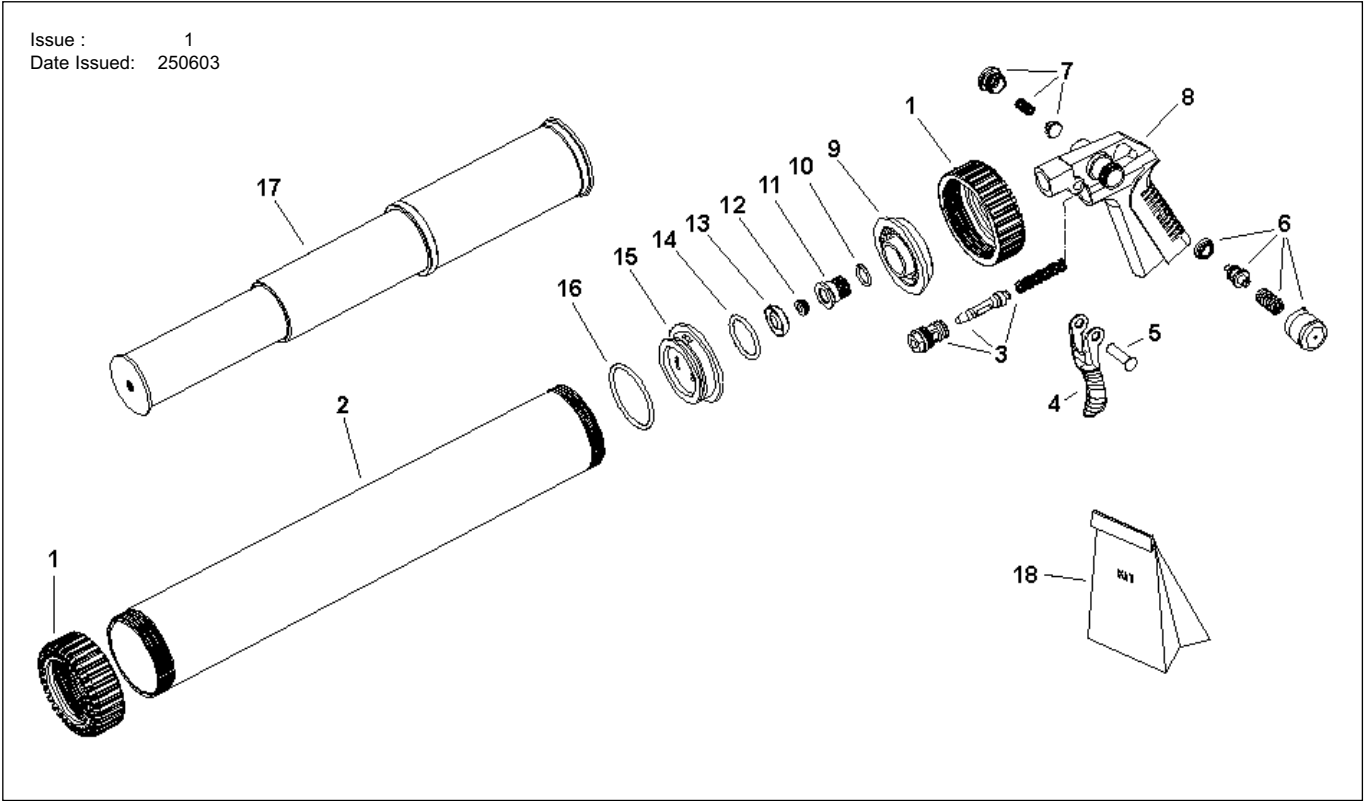


Issue : 1  
 Date Issued: 250603



| Item | Part No.     | Description            |
|------|--------------|------------------------|
| 1    | 142/BU098349 | Rubber Coated Ring Nut |
| 2    | 142/BU098561 | Barrel                 |
| 3    | 142/BU098073 | Complete Valve         |
| 4    | 142/BL058001 | Trigger                |
| 5    | 142/BF088243 | Stud, Control Lever    |
| 6    | 142/BH098762 | Air Regulator, Front   |
| 7    | 142/BH098761 | Air Regulator, Rear    |
| 8    | 142/BU098855 | Body                   |
| 9    | 142/BE098293 | Rear Air Deflector     |

| Item | Part No.     | Description                |
|------|--------------|----------------------------|
| 10   | 142/BD118199 | O-Ring                     |
| 11   | 142/BS098350 | Nipple                     |
| 12   | 142/BH098332 | Complete Filter            |
| 13   | 142/BD098458 | Gasket                     |
| 14   | 142/BD048193 | O-Ring                     |
| 15   | 142/BE098291 | Internal Flange            |
| 16   | 142/BD098491 | O-Ring                     |
| 17   | 142/BH098541 | Complete Telescopic Piston |
| 18   | 142/BH098554 | Repair Kit                 |