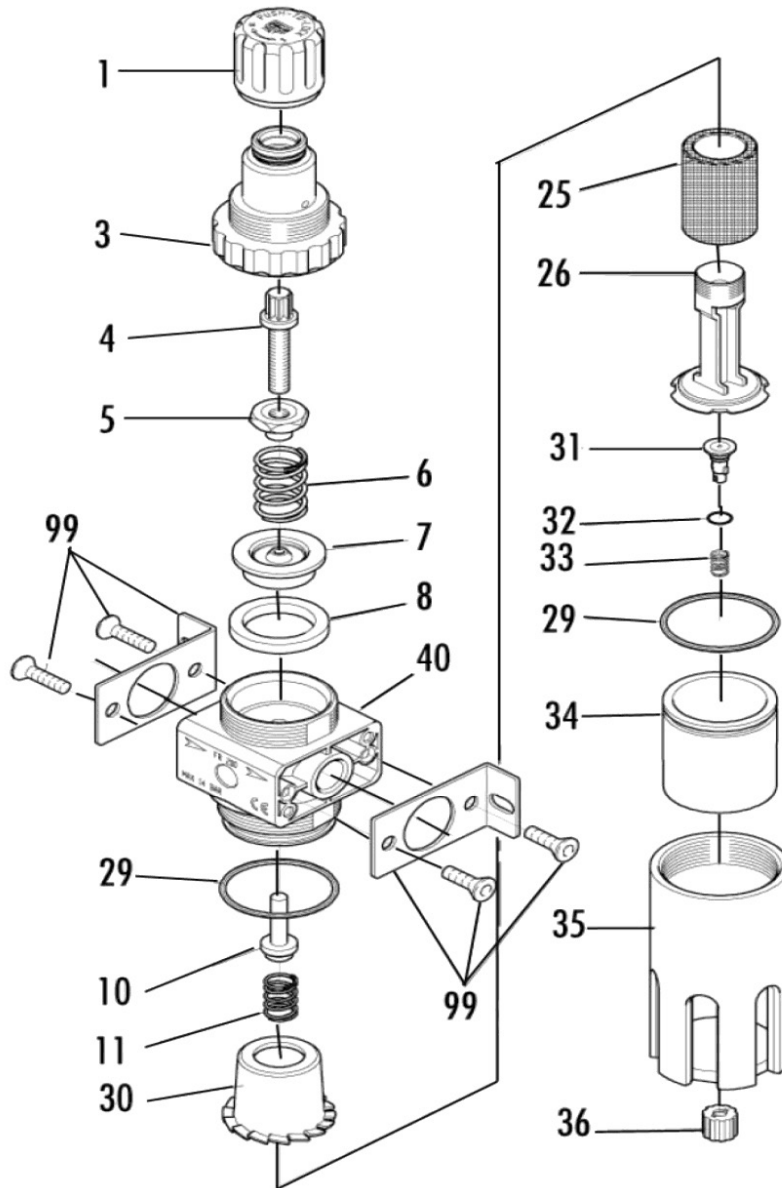


Parts Information:  
**Professional Air Filter/Regulator with  
 Digital Gauge 1/2" BSP  
 Model No: SA406FR**



Item	Part No.	Description
1	SA406FR.01	REGULATOR KNOB
3	SA406FR.03	UPPER BODY
4	SA406FR.04	SCREW (L/H)(C/W NUT PUSHER)
5	SA406FR.04	SCREW (L/H)(C/W NUT PUSHER)
6	SA406FR.06	SPRING
7	SA406FR.07	PISTON
8	SA406FR.08	GASKET
10	SA406FR.10	VALVE
11	SA406FR.11	SPRING
25	SA406FR.25	FILTER
26	SA406FR.26	FILTER SUPPORT

Item	Part No.	Description
29	SA406FR.29	O-RING
30	SA406FR.30	DEFLECTOR
31	SA406FR.35	PROTECTIVE COVER ASS'Y(INC PARTS 31,32,3
32	SA406FR.35	PROTECTIVE COVER ASS'Y(INC PARTS 31,32,3
33	SA406FR.35	PROTECTIVE COVER ASS'Y(INC PARTS 31,32,3
34	SA406FR.35	PROTECTIVE COVER ASS'Y(INC PARTS 31,32,3
35	SA406FR.35	PROTECTIVE COVER ASS'Y(INC PARTS 31,32,3
36	SA406FR.35	PROTECTIVE COVER ASS'Y(INC PARTS 31,32,3
40	SA406FR.40	REGULATOR BODY
99	SA406FR.99	BRACKET (c/w SCREW)
--	SA306FR.G	DIGITAL GAUGE (NOT SHOWN)

**NOTE:** It is our policy to continually improve products and as such we reserve the right to alter data, specifications and component parts without prior notice.

**IMPORTANT:** No liability is accepted for incorrect use of product.

**WARRANTY:** Guarantee is 12 months from purchase date, proof of which will be required for any claim.