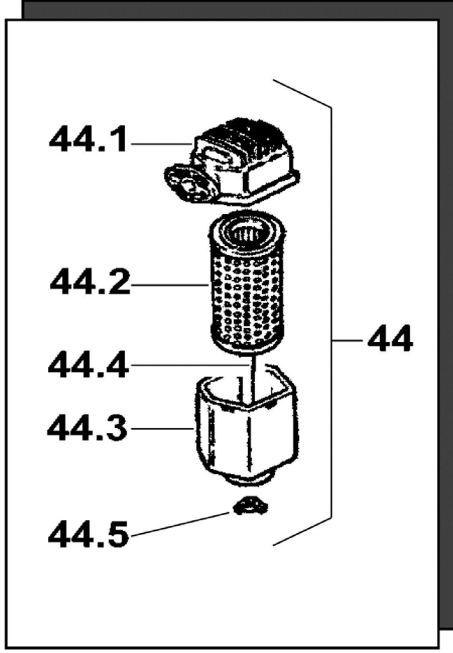
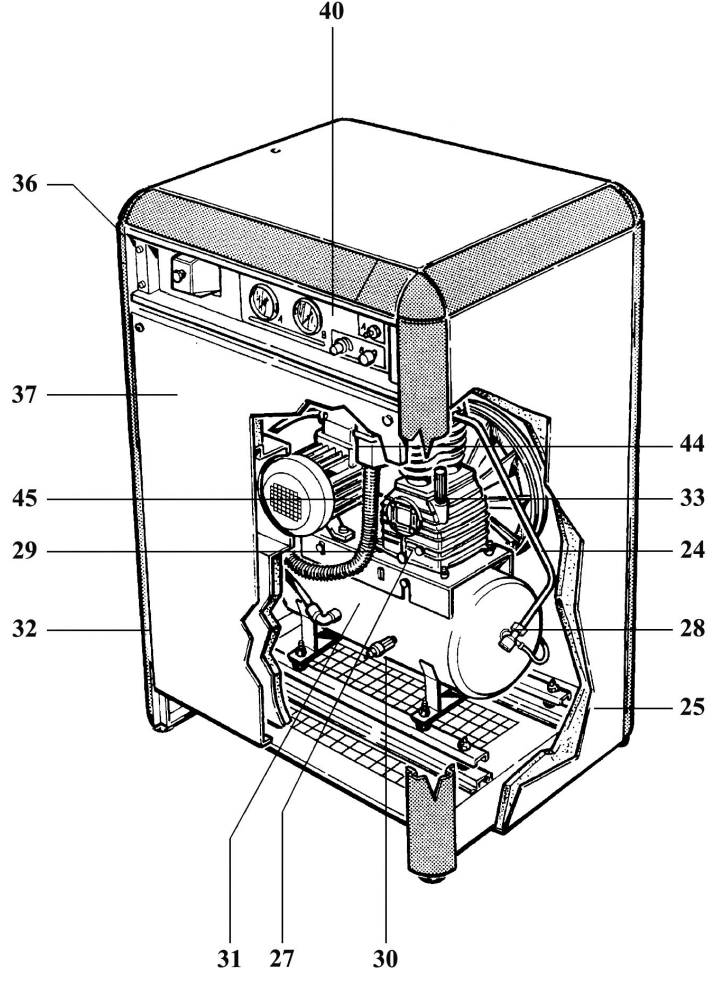
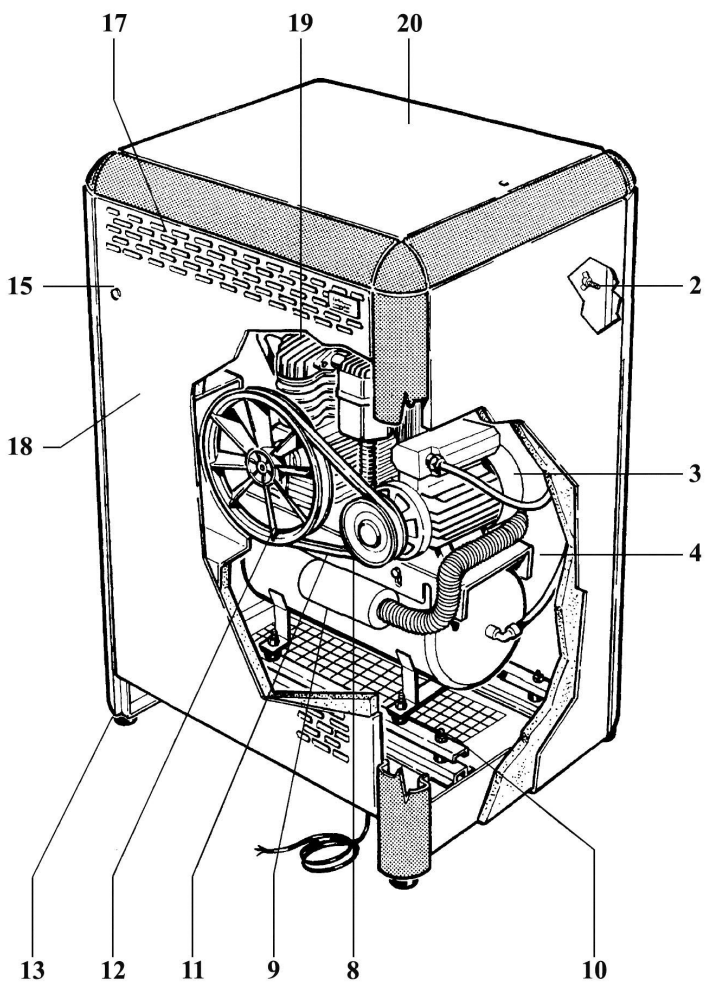




Parts Information:  
Compressor 3hp 230V Soft Start Quiet  
Running  
Model No: SA4025/3.V3



**NOTE:** It is our policy to continually improve products and as such we reserve the right to alter data, specifications and component parts without prior notice.  
**IMPORTANT:** No liability is accepted for incorrect use of product.  
**WARRANTY:** Guarantee is 12 months from purchase date, proof of which will be required for any claim.

Sealey Group, Kempson Way, Suffolk Business Park, Bury St Edmunds, Suffolk. IP32 7AR

01284 757500 | 01284 703534 | sales@sealey.co.uk | www.sealey.co.uk



Parts Information:  
**Compressor 3hp 230V Soft Start Quiet  
Running**  
**Model No: SA4025/3.V3**

Item	Part No.	Description
2	SH17300140	FASTENING, COVERS
3	SH10701560B	MOTOR,3HP ELECTRIC (EMZ)
4	SH1420050B	BASE PLATE
8	SH13500740	PULLEY
9	SH1630005A	AIR OUTLET
10	SH12300160	SHOCK ABSORBER, TRANSVERSE
11	V/A47	V-BELT (ID-1200) A47
12	SH31004680	PULLEY,PUMP
13	SH16500190	FOOT, ADJUSTABLE
15	AK5059	UNIVERSAL KEY
17	SH12300460	GRILLE
18	SH12300540	REAR COVER
19	SHK170790S	PUMP K17
20	SH12300500	TOP COVER
24	SH14301290	DELIVERY TUBE
25	SH12300260	SIDE COVER
27	SH36500140	OIL VIEW GLASS
28	SH14401570	NON RETURN VALVE
29	SH36500110	OIL DRAIN BOLT
30	SH14401350	SAFETY VALVE 3/8"BSP
31	SH11901660	AIR TANK 24LTR

Item	Part No.	Description
32	SH16500230	ANTI VIBRATION FOOT
33	SH3650030A	BREATHER 3/8 WITH RED CUP
36	SH17300570	SCREW
37	SH1230052A	FRONT COVER
40	SH12300440	CONTROL BOARD
--	SAC9047048	BALL VALVE 1/4"BSP MALE-1/4"BSP FEMALE (NOT SHOWN)
--	SH13000100	PRESSURE REGULATOR (NOT SHOWN)
--	SH15000010	MANOMETER (NOT SHOWN)
--	SH16200030	SEPARATOR (NOT SHOWN)
--	SH12304120	FASTENING PLATE (NOT SHOWN)
--	SH12800800	PRESSURE SWITCH (NOT SHOWN)
44	SH35646460	AIR FILTER COMP
44.1	SH35602950	FILTER COVER
44.2	SH35602940	CARTRIDGE , AIR FILTER REFILL
44.3	SH35602930	FILTER CASING
44.4	SH37305190	TENSION ROD
44.5	SN6.SW	WING NUT M6 (SINGLE)
45	SH14300950	AIR HOSE
--	SH16900430	"T" PIECE (NOT SHOWN)
--	SH13000070	PRESSURE REDUCER 1/4" (NOT SHOWN)

**NOTE:** It is our policy to continually improve products and as such we reserve the right to alter data, specifications and component parts without prior notice.

**IMPORTANT:** No liability is accepted for incorrect use of product.

**WARRANTY:** Guarantee is 12 months from purchase date, proof of which will be required for any claim.

**Sealey Group**, Kempson Way, Suffolk Business Park, Bury St Edmunds, Suffolk. IP32 7AR



01284 757500



01284 703534



sales@sealey.co.uk



www.sealey.co.uk