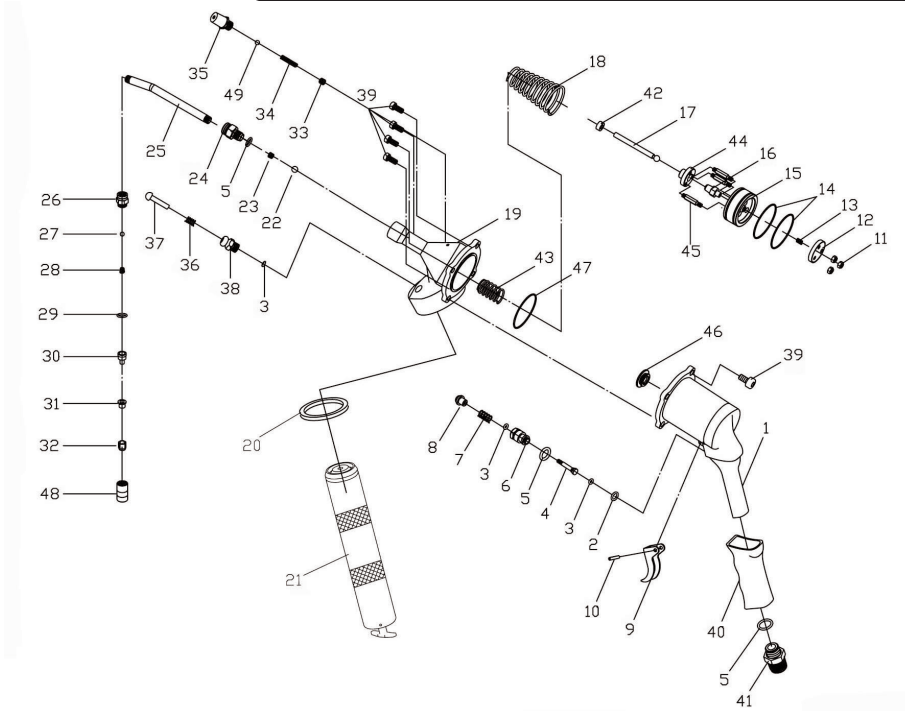




Parts Information:
**Air Operated Continuous Flow Grease Gun
 - Pistol Type
 Model No: SA401**



Item	Part No.	Description
1	SA401.01	HOUSING
2	SA401.02	O-RING
3	SA401.03	O-RING
4	SA401.04	VALVE STEM
5	SA401.05	O-RING
6	SA401.06	VALVE BUSHING
7	SA401.07	VALVE SPRING
8	SA401.08	VALVE PLUG
9	SA401.09	TRIGGER
10	SA401.10	TRIGGER PIN
11	NLN5.S	NYLOC NUT M5 ZINC DIN 985 (SINGLE)
12	SA401.12	PISTON FILM
13	SA401.13	SPRING
14	SA401.14	O-RING
15	SA401.15	CYLINDER PISTON
16	SA401.16	PISTON SEAT
17	SA401.17	LEVER
18	SA401.18	SPRING
19	SA401.19	CONNECTION
20	SA401.20	CONTAINER GASKET
21	SA401.21	CONTAINER TUBE
22	SB-8.0	STEEL BALL 8.0mm
23	SA401.23	SPRING
24	SA401.24	ADAPTOR
25	SA401.25	NOZZLE

Item	Part No.	Description
26	SA401.26	SCREW
27	SB-5.6	STEEL BALL 5.6mm
28	SA401.28	SPRING
29	SA401.29	O-RING
30	SA401.30	RUBBER SEAT
31	SA401.31	BUSHING
32	SA401.32	ARC BOARD
33	SA401.33	SCREW
34	SA401.34	SPRING
35	SA401.35	FILLER PLUG
36	SA401.36	SPRING
37	SA401.37	VALVE STEM
38	SA401.38	AIR VENT VALVE
39	SA401.39	SCREW
40	SA401.40	HANDLE GRIP
41	SA401.41	AIR INLET BUSHING
42	SA401.42	BLACK RUBBER WASHER
43	SA401.43	SPRING
44	SA401.44	LEVER FIX PEDESTAL
45	SA401.45	FIX STICK
46	SA401.46	WASHER
47	SA401.47	O-RING
48	SA401.48	RETAINER
49	SB-5.6	STEEL BALL 5.6mm

NOTE: It is our policy to continually improve products and as such we reserve the right to alter data, specifications and component parts without prior notice.

IMPORTANT: No liability is accepted for incorrect use of product.

WARRANTY: Guarantee is 12 months from purchase date, proof of which will be required for any claim.

Sealey Group, Kempson Way, Suffolk Business Park, Bury St Edmunds, Suffolk. IP32 7AR



01284 757500



01284 703534



sales@sealey.co.uk



www.sealey.co.uk