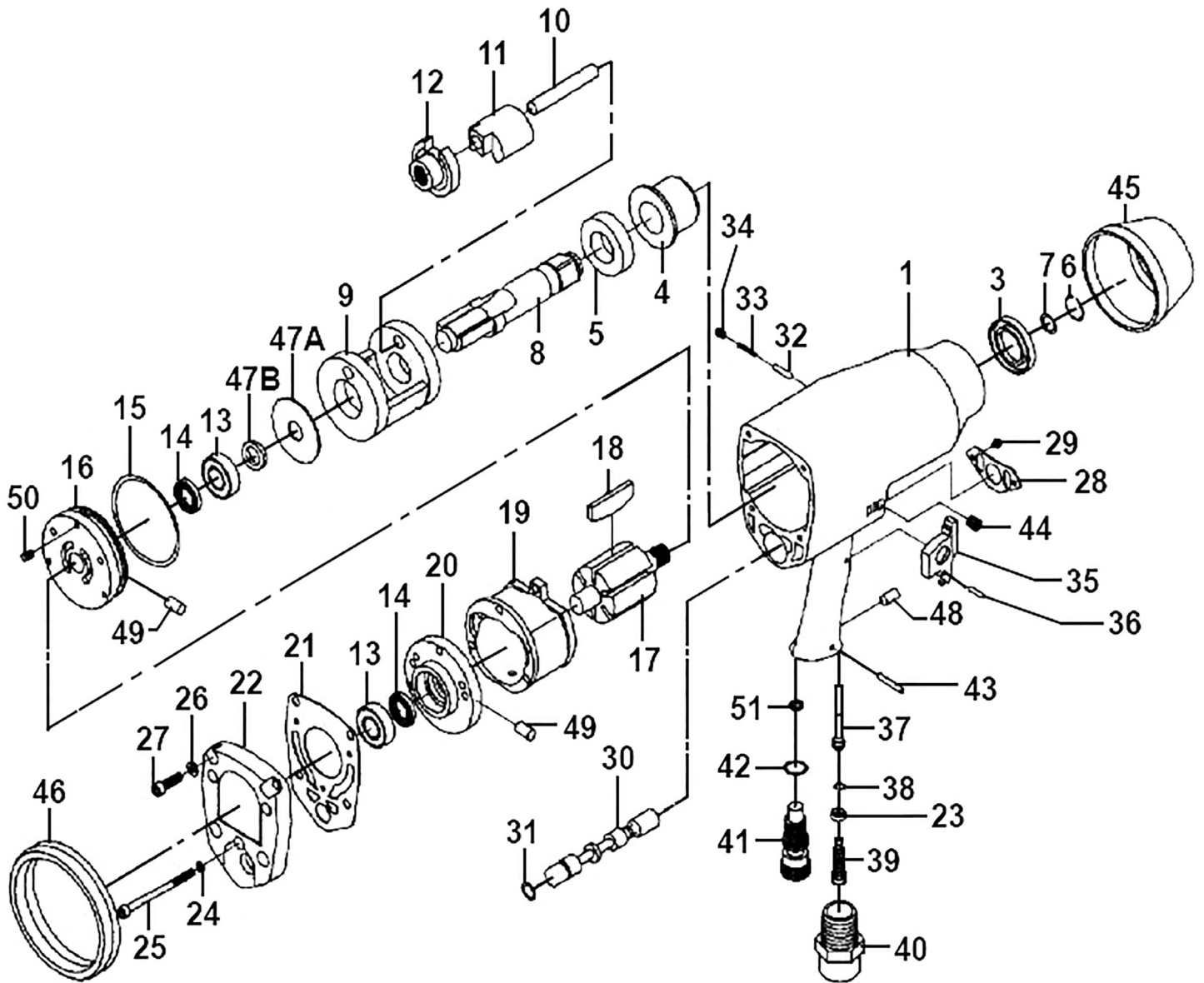




Parts Information:
Air Impact Wrench 3/4" Sq Drive Heavy-Duty
Model No: SA4.V2



NOTE: It is our policy to continually improve products and as such we reserve the right to alter data, specifications and component parts without prior notice. There may be alternative versions of this product, please contact us should you require this information.

IMPORTANT: No liability is accepted for incorrect use of product. Spare parts must be fitted by a competent person

WARRANTY: Guarantee is 12 months from purchase date, proof of which will be required for any claim.

Sealey Group, Kempson Way, Suffolk Business Park, Bury St Edmunds, Suffolk. IP32 7AR



01284 757500



sales@sealey.co.uk



www.sealey.co.uk



Parts Information:
Air Impact Wrench 3/4" Sq Drive Heavy-Duty
Model No: SA4.V2

Item	Part No.	Description	Qty
1	SA4.V2-01A	Housing Assembly (c/w parts 2 & 48)	1
2	SA4.V2-02	Valve Sleeve	1
3	SA4.V2-03	Oil Seal	1
4	SA4.V2-04	Bushing	1
5	SA4.V2-05	Washer	1
6	SA4.V2-06	Anvil Collar 3/4" x 2.0mm	1
7	SA4.V2-07	O-Ring (14.39 x 9.91 x 2.24mm)	1
8	SA4.V2-08	Anvil	1
9	SA4.V2-09	Hammer Cage	1
10	SA4.V2-10	Pin	1
11	SA4.V2-11	Hammer Dog	1
12	SA4.V2-12	Drive Cam	1
13	B/6002ZZ	Bearing 6002ZZ	2
14	SA4.V2-14	Oil Seal (15 x 25 x 4mm)	2
15	SA4.V2-15	O-Ring (69.30 x 62.76 x 3.26mm)	1
16	SA4.V2-16A	Front Plate Assembly (c/w Parts 49 & 50)	1
17	SA4.V2-17	Rotor	1
18	SA4.V2-18	Rotor Blade (Set of 6)	1
19	SA4.V2-19	Cylinder	1
20	SA4.V2-20A	Rear End Plate Assembly (c/w Part 49)	1
21	SA4.V2-21	Rear gasket	1
22	SA4.V2-22	Rear cover	1
23	SA4.V2-23	Bushing	1
24	SWM5.SB	Spring Washer M5 Black	4
25	SCB570.SB	Socket Cap Bolt M5 x 70mm Black	4
26	SWM6.SB	Spring Washer M6 Black	3

Item	Part No.	Description	Qty
27	SCB620.SB	Socket Cap Bolt M6 x 20mm Black	3
28	SA4.V2-28	Muffler Cover	1
29	SA4.V2-29	Screw	2
30	SA4.V2-30	Reverse Valve	1
31	SA4.V2-31	O-Ring (18.27 x 13.41 x 2.43mm)	1
32	SA4.V2-32	Pin	1
33	SA4.V2-33	Spring Ø3.9mm	1
34	SA4.V2-34	Screw	1
35	SA4.V2-35	Trigger	1
36	SA4.V2-36	Pin	1
37	SA4.V2-37	Valve Stem	1
38	SA77SV4-19	O-Ring (8.03 x 4.47 x 1.78mm)	1
39	SA4.V2-39	Spring, Conical	1
40	SA4.V2-40	Air Inlet	1
41	SA4.V2-41	Air Regulator	1
42	SA4.V2-42	O-Ring	1
43	SA4.V2-43	Spring Pin M3 x 19mm	1
44	GSM86.S	Grub Screw M8 x 6mm	1
45	SA4.V2-45	Protecting Rubber	1
46	SA4.V2-46	Rubber	1
47A	SA4.V2-47A	Washer M14 x 50mm (c/w Part 47B)	1
47B	SA4.V2-47B	Seal Ring	1
48	SA4.V2-48	Plug	1
49	SA4.V2-49	Plug	4
50	SA4.V2-50	Screw Thread Inserts	3
51	SA4.V2-51	Oil Seal	1

NOTE: It is our policy to continually improve products and as such we reserve the right to alter data, specifications and component parts without prior notice. There may be alternative versions of this product, please contact us should you require this information.

IMPORTANT: No liability is accepted for incorrect use of product. Spare parts must be fitted by a competent person

WARRANTY: Guarantee is 12 months from purchase date, proof of which will be required for any claim.

Sealey Group, Kempson Way, Suffolk Business Park, Bury St Edmunds, Suffolk. IP32 7AR



01284 757500



sales@sealey.co.uk



www.sealey.co.uk