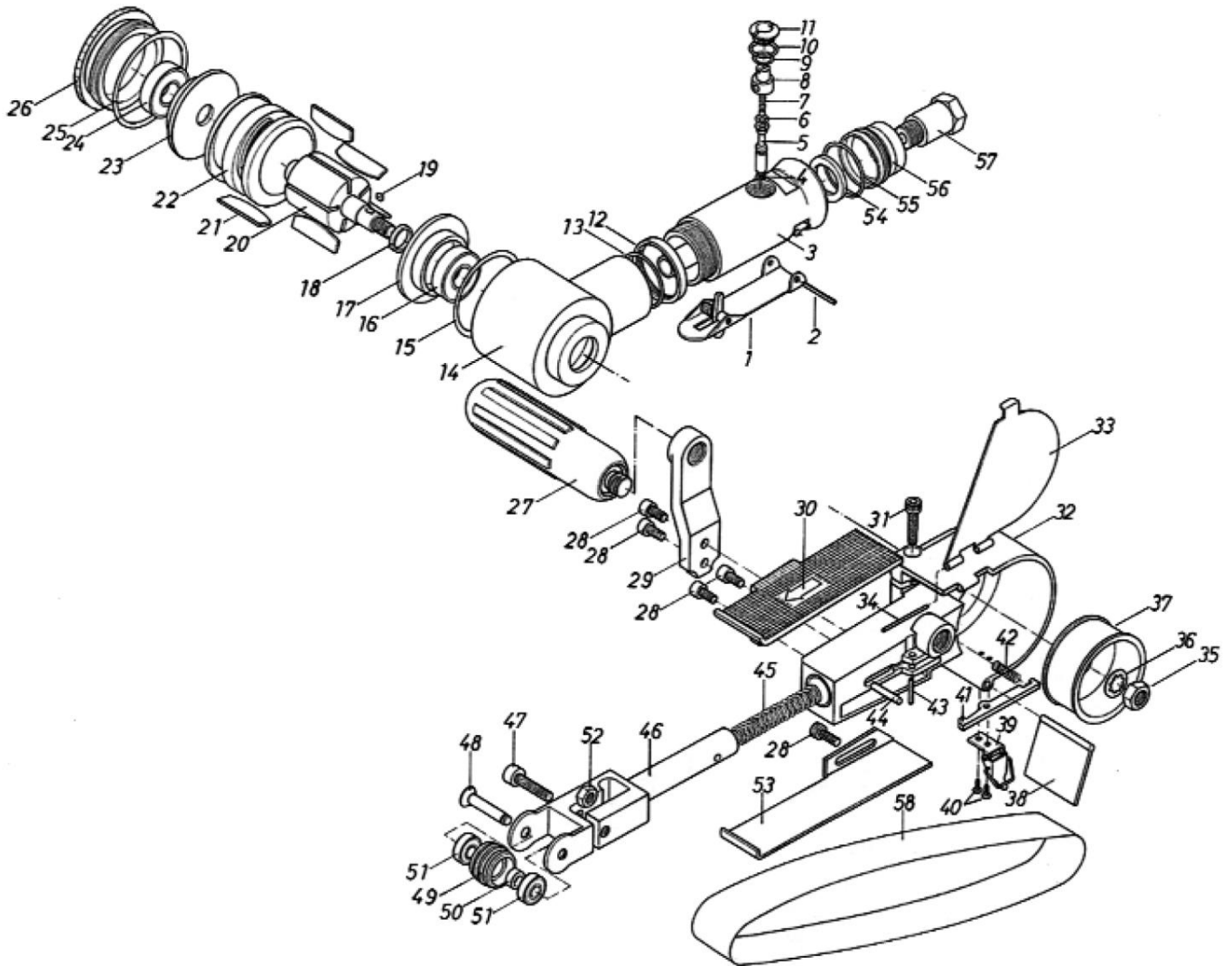




Parts Information:
Air Belt Sander 30 x 540mm
Model No: SA356



NOTE: It is our policy to continually improve products and as such we reserve the right to alter data, specifications and component parts without prior notice.

IMPORTANT: No liability is accepted for incorrect use of product.

WARRANTY: Guarantee is 12 months from purchase date, proof of which will be required for any claim.

Sealey Group, Kempson Way, Suffolk Business Park, Bury St Edmunds, Suffolk. IP32 7AR



01284 757500



01284 703534



sales@sealey.co.uk



www.sealey.co.uk



Parts Information:
Air Belt Sander 30 x 540mm
Model No: SA356

Item	Part No.	Description
1	SA356.01	THROTTLE LEVER
2	SA356.02	LEVER PIN
3	SA356.03	MOTOR HOUSING
4	SA356.04	O-RING
5	SA356.05	VALVE STEM
6	SA356.06	O-RING
7	SA356.07	VALVE SPRING
8	SA356.08	AIR CONTROLLER
9	SA356.09	O-RING
10	SA356.10	O-RING
11	SA356.11	VALVE SCREW
12	SA356.12	LOCK NUT
13	SA356.13	O-RING
14	SA356.14	HOUSING
15	SA356.15	O-RING
16	B/6001ZZ	BEARING 6001ZZ
17	SA356.17	FRONT END PLATE
18	SA356.18	SPACER
19	SA356.19	KEY
20	SA356.20	ROTOR
21	SA356.21	ROTOR BLADE
22	SA356.22	CYLINDER
23	SA356.23	REAR END PLATE
24	B/6001ZZ	BEARING 6001ZZ
25	SA356.25	O-RING
26	SA356.26	MOTOR NUT
27	SA356.27	HANDLE
28	SCB510.SB	SOCKET HEAD CAP SCREW M5x10 BLACK
29	SA356.29	HANDLE BRACKET
30	SA356.30	FINGER PLATE
31	SCB518.SB	SOCKET HEAD CAP SCREW M5x18 BLACK
32	SA356.32	WHEEL COVER INCL. SPACER

Item	Part No.	Description
33	SA356.33	WHEEL COVER LID
34	SA356.34	ROLL PIN
35	SN8.S	STEEL NUT M8 ZINC DIN934 (SINGLE)
36	SA356.36	TOOTHED WASHER
37	SA356.37	DRIVE PULLEY
38	SA356.38	DUST COVER
39	SA356.39	COVER LATCH
40	SA356.40	CAP SCREW
41	SA356.41	STOPPER
42	SA356.42	STOPPER SPRING
43	SA356.43	ROLL PIN
44	SA356.44	STOPPER PIN
45	SA356.45	TENSION SPRING
46	SA356.46	TENSION ARM
47	SCB622.SB	SOCKET HEAD CAP SCREW M6x22 BLACK
48	SA356.48	IDLE SHAFT
49-51	SA356.49-51	IDLE PULLEY ASSEMBLY (PARTS 49, 50 & 51)
52	SA356.52	NUT
53	SA356.53	SHOE
54	SA356.54	SILENCER
55	SA356.55	O-RING
56	SA356.56	AIR DEFLECTOR
57	SA356.57	AIR INLET
58	SA356.58	GRINDING BELT
--	SA356B100G	SANDING BELT 100GRIT 30 x 540mm Pack of 5 (NOT SHOWN)
--	SA356B40G	SANDING BELT 40GRIT 30 x 540mm Pack of 5 (NOT SHOWN)
--	SA356B60G	SANDING BELT 60GRIT 30 x 540mm Pack of 5 (NOT SHOWN)
--	SA356B80G	SANDING BELT 80GRIT 30 x 540mm Pack of 5 (NOT SHOWN)

NOTE: It is our policy to continually improve products and as such we reserve the right to alter data, specifications and component parts without prior notice.

IMPORTANT: No liability is accepted for incorrect use of product.

WARRANTY: Guarantee is 12 months from purchase date, proof of which will be required for any claim.

Sealey Group, Kempson Way, Suffolk Business Park, Bury St Edmunds, Suffolk. IP32 7AR



01284 757500



01284 703534



sales@sealey.co.uk



www.sealey.co.uk