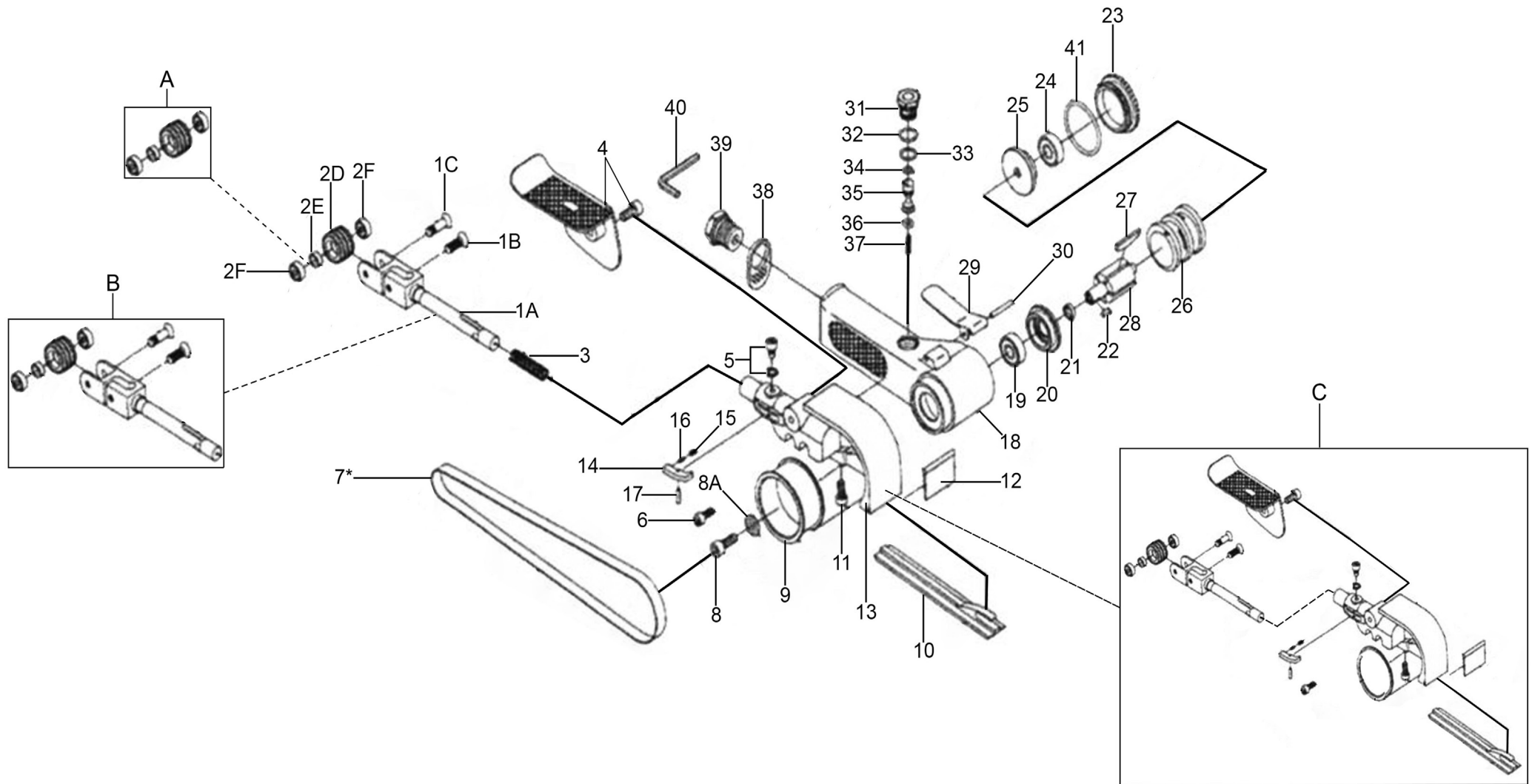




Parts Information:
Air Belt Sander 20mm
Model No: SA354



NOTE: It is our policy to continually improve products and as such we reserve the right to alter data, specifications and component parts without prior notice.

There may be alternative versions of this product, please contact us should you require this information.

IMPORTANT: No liability is accepted for incorrect use of product. Spare parts must be fitted by a competent person

WARRANTY: Guarantee is 12 months from purchase date, proof of which will be required for any claim.

Sealey Group, Kempson Way, Suffolk Business Park, Bury St Edmunds, Suffolk. IP32 7AR



01284 757500



sales@sealey.co.uk



www.sealey.co.uk



Parts Information:
Air Belt Sander 20mm
Model No: SA354

Item	Part No.	Description
1A	SA354.01A	Idle Pulley Bracket
1B	SA354.01B	Set Screw
1C	SA354.01C	Screw
2D	SA354.02D	Idle Pulley
2E	SA354.02E	Spacer
2F	B/696ZZ	Bearing 696ZZ
3	SA354.03	Spring Ø9mm
4	SA354.04	Finger Pad
5	SA354.05	Key Bolt Assembly M5 x 8mm
6	SA354.06	Hex Socket Head Bolt M5 x 12mm
7*	SA355/B60G	Sanding Belt 20 x 520mm 60Grit (Pack of 5) (Please see Catalogue)
7*	SA355/B80G	Sanding Belt 20 x 520mm 80Grit (Pack of 5) (Please see Catalogue)
7*	SA355/B100G	Sanding Belt 20 x 520mm 100Grit (Pack of 5) (Please see Catalogue)
7*	SA355/B120G	Sanding Belt 20 x 520mm 120Grit (Pack of 5) (Please see Catalogue)
8	SCB612.SB	Socket Cap Bolt M6 x 12mm Black
8A	SA354.08A	Spacer
9	SA354.09	Drive Pulley
10	SA354.10	Flat Shoe
11	SCB516.SB	Socket Cap Bolt M5 x 16mm Black
12	SA354.12	Dust Cover
13	SA354.13	Guard Body
14	SA354.14	Tension Bar
15	SA354.15	Spring
16	SA354.16	Spring Pin M1.5 x 11mm
17	SA354.17	Spring Pin M2 x 8mm

Item	Part No.	Description
18	SA354.18	Housing
19	B/6000	Bearing 6000
20	SA354.20	End Plate B
21	SA354.21	Spacer
22	SA354.22	Sunk Key
23	SA354.23	Cap
24	B/607ZZ	Bearing 607ZZ
25	SA354.25	End Plate A
26	SA354.26	Cylinder
27	SA354.27	Rotor Blade
28	SA354.28	Rotor
29	SA354.29	Throttle Lever
30	SA354.30	Spring Pin M3 x 22mm
31	SA354.31	Valve Body
32	DH03.V2-39	O-Ring (12.81 x 9.25 x 1.78mm)
33	SA354.33	O-Ring (13 x 10.61 x 1.60mm)
34	SA354.34	O-Ring (8.25 x 5.03 x 1.61mm)
35	SA354.35	Valve Stem
36	SA354.36	O-Ring (8.92 x 4.42 x 2mm)
37	SA354.37	Valve Spring Ø3.9mm
38	SA354.38	Deflector
39	SA354.39	Air Inlet
40	SA354.40	Hex Wrench 4mm/6mm
41	SA354.41	O-Ring (29.46 x 24.72 x 2.37mm)
A	SA354.ASS1	Idle Pulley Assembly (c/w Parts 2D-F)
B	SA354.ASS2	Idle Pulley Bracket Sub-Assembly (c/w Parts 1A-C & 2D-F)
C	SA354.ASS3	Guard Body Assembly (c/w Parts 1-6 & 10-17)

NOTE: It is our policy to continually improve products and as such we reserve the right to alter data, specifications and component parts without prior notice. There may be alternative versions of this product, please contact us should you require this information.

IMPORTANT: No liability is accepted for incorrect use of product. Spare parts must be fitted by a competent person

WARRANTY: Guarantee is 12 months from purchase date, proof of which will be required for any claim.

Sealey Group, Kempson Way, Suffolk Business Park, Bury St Edmunds, Suffolk. IP32 7AR



01284 757500



sales@sealey.co.uk



www.sealey.co.uk