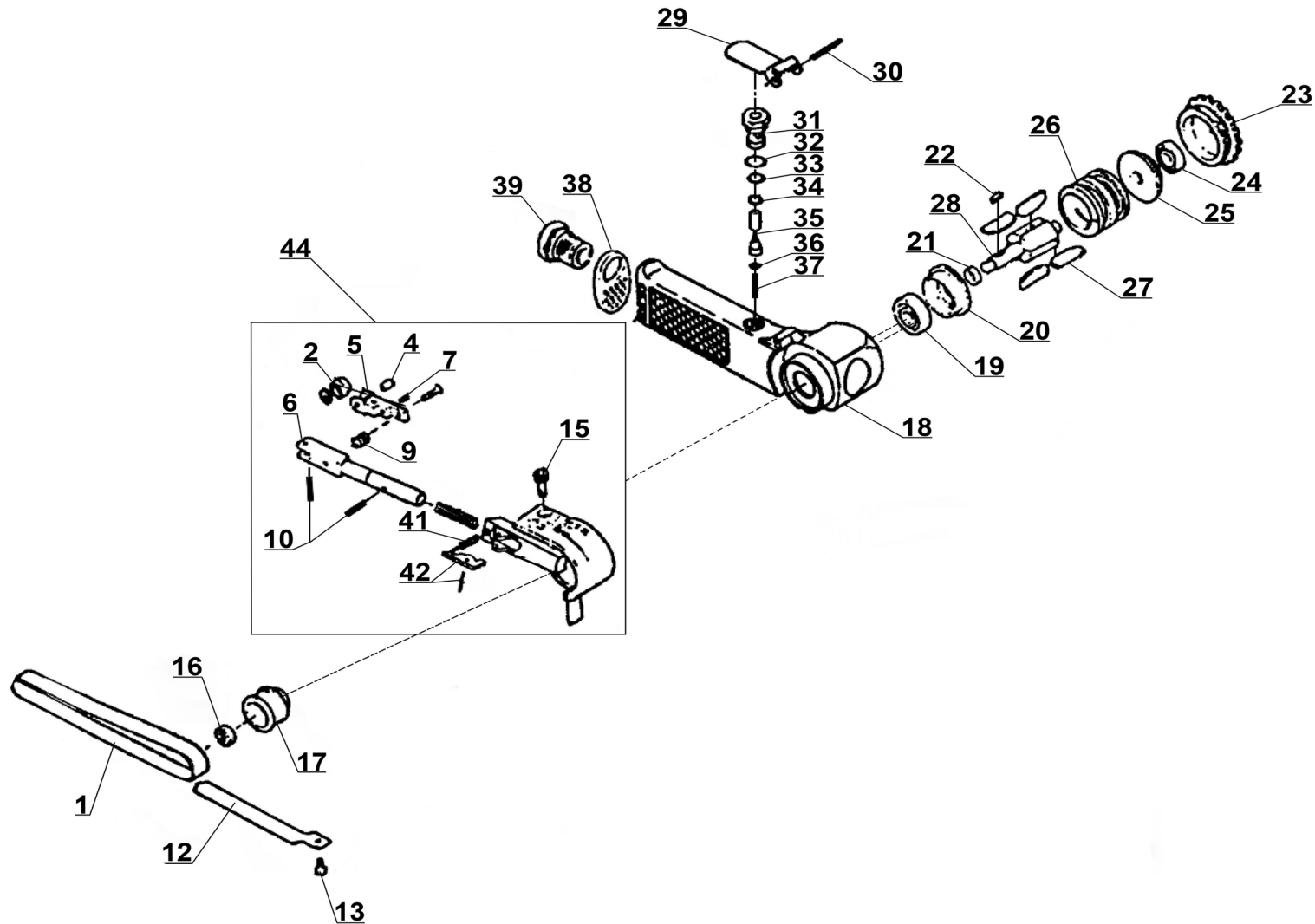




Parts Information:  
Air Belt Sander 10 x 330mm  
Model No: SA35.V2



**NOTE:** It is our policy to continually improve products and as such we reserve the right to alter data, specifications and component parts without prior notice.

There may be alternative versions of this product, please contact us should you require this information.

**IMPORTANT:** No liability is accepted for incorrect use of product. Spare parts must be fitted by a competent person

**WARRANTY:** Guarantee is 12 months from purchase date, proof of which will be required for any claim.

Sealey Group, Kempson Way, Suffolk Business Park, Bury St Edmunds, Suffolk. IP32 7AR



01284 757500



sales@sealey.co.uk



www.sealey.co.uk



Parts Information:  
**Air Belt Sander 10 x 330mm**  
**Model No: SA35.V2**

Item	Part No.	Description
1	SA35/B60G	Sanding Belt 10 x 330mm 60Grit (Pack of 5) <b>(Please see Catalogue)</b>
--	SA35/B80G	Sanding Belt 10 x 330mm 80Grit (Pack of 5) <b>(Please see Catalogue)</b>
--	SA35/B100G	Sanding Belt 10 x 330mm 100Grit (Pack of 5) <b>(Please see Catalogue)</b>
--	SA35/B120G	Sanding Belt 10 x 330mm 120Grit (Pack of 5) <b>(Please See Catalogue)</b>
2	SA35/93/06/02	Idle Pulley
4	SA35.V2-04A	Idle Pulley Shaft
5	SA35.V2-05A	Bracket
6	SA35/93/06/06	Tension Bar
7	GSM44.S	Grub Screw M4 x 4mm
9	SA35/93/06/09	Spring Ø8.6mm
10	SA35/93/06/10	Spring Pin M3 x 10mm
12	SA35/93/12	Shoe
13	MSP48.S	Machine Screw Pan Head Phillips M4 x 8mm
15	SCB516.SB	Socket Cap Bolt M5 x 16mm Black
16	NLN6.S	Nyloc Nut M6
17	SA35/93/17	Drive Pulley
18	SA35/93/18	Housing
19	B/628ZZ	Bearing 628ZZ
20	SA35/93/20	End Plate
21	SA35/93/21	Spacer

Item	Part No.	Description
22	SA35/93/22	Sunk Key
23	SA35/93/23	Cap
24	B/607ZZ	Bearing 607ZZ
25	SA35/93/25	End Plate
26	SA35/93/26	Cylinder
27	SA35/93/27	Rotor Vane
28	SA35/93/28	Rotor
29	SA35/93/29	Throttle Lever
30	SA35/93/30	Spring Pin M3 x 23mm
31	SA35/93/31	Valve Body
32	SA77SV4-19	O-Ring (8.03 x 4.47 x 1.78mm)
33	GSA08.09-4	O-Ring (11.21 x 7.65 x 1.78mm)
34	DH03.V2-39	O-Ring (12.81 x 9.25 x 1.78mm)
35	SA35/93/35	Valve Stem
36	SA35/93/36	O-Ring
37	SA35/93/37	Valve Spring Ø3.9mm
38	SA35/93/38	Air Deflector
39	SA35/93/39	Air Inlet
41	SA35/93/06/41	Spring Ø3.5mm
42	SA609.43	Spring Pin M2.6 x 10mm
44	SA35/06-TBA	Tension Bar Assembly
--	S0465.13	Hex Key, 1.5 x 44mm (Not Shown)
--	S0484.23	Hex Key, 4 x 70mm (Not Shown)

**NOTE:** It is our policy to continually improve products and as such we reserve the right to alter data, specifications and component parts without prior notice. There may be alternative versions of this product, please contact us should you require this information.

**IMPORTANT:** No liability is accepted for incorrect use of product. Spare parts must be fitted by a competent person

**WARRANTY:** Guarantee is 12 months from purchase date, proof of which will be required for any claim.

**Sealey Group**, Kempson Way, Suffolk Business Park, Bury St Edmunds, Suffolk. IP32 7AR



01284 757500



sales@sealey.co.uk



www.sealey.co.uk