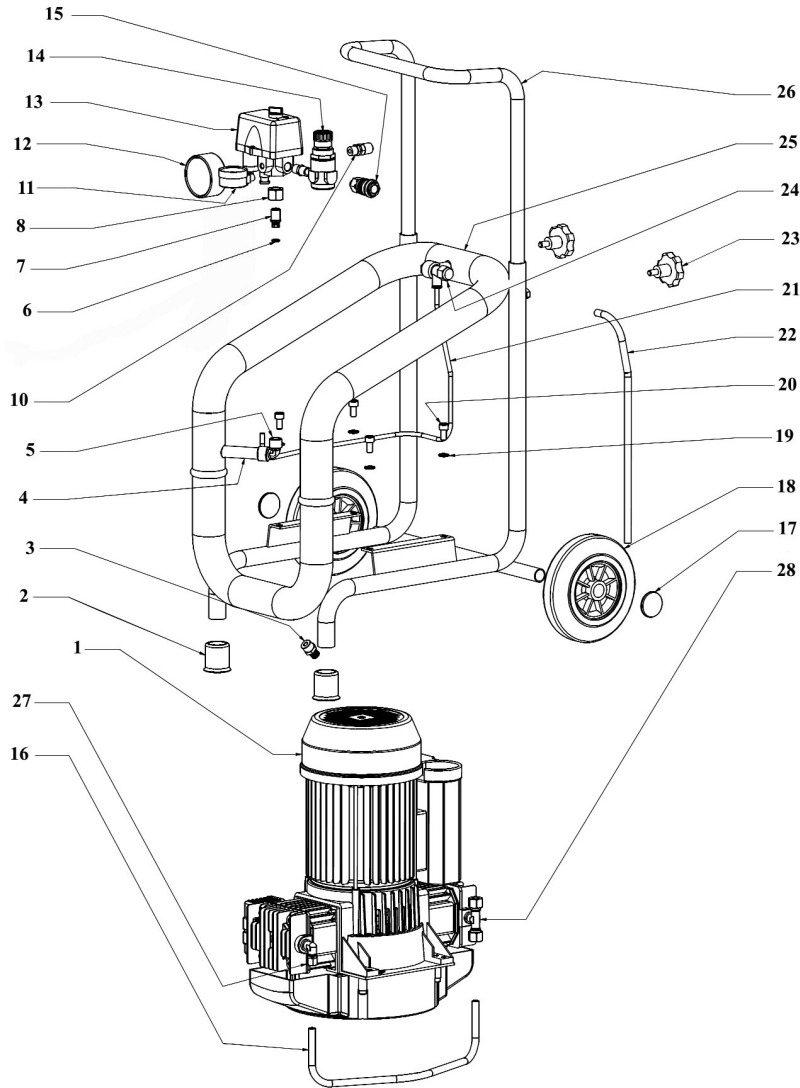




Parts Information:
Oil Free Bi-Cylindrical Compressor 3ltr
2.3hp
Model No: SA3304



Item	Part No.	Description
1	SA3304.01	PUMP COMPLETE
2	SA3304.02	RUBBER FOOT
3	SA3304.03	DRAIN VALVE
4	SA3304.04	SPACER
5	SA3304.05	CONNECTOR 3/8
6	SA3304.06	O-RING
7	SA3304.07	PRESSURE SWITCH CONNECTOR
8	SA3304.08	NUT
10	SA3304.10	SAFETY VALVE
11	SA3304.11	MANOMETER
12	SA3304.12	MANOMETER
13	SAC7250740000	PRESSURE SWITCH 20Amp 12Bar 175Psi
14	SA3304.14	PRESSURE REGULATOR
15	SA3304.15	QUICK COUPLER

Item	Part No.	Description
16	SA3304.16	HIGH PRESSURE HOSE
17	SA3304.17	WHEEL CAP
18	SA3304.18	WHEEL INCLUDES THE CRANK PART(01)
19	SA3304.19	WASHER
20	SA3304.20	SCREW
21	SA3304.21	PIPE
22	SA3304.22	HIGH PRESSURE HOSE/PIPE
23	SA3304.23	GRIP
24	SA3304.24	NON-RETURN VALVE
25	SA3304.25	TANK 3LTR
26	SA3304.26	HANDLE
27	SA3304.27	ELBOW FITTING
28	SA3304.28	T-FITTING

NOTE: It is our policy to continually improve products and as such we reserve the right to alter data, specifications and component parts without prior notice.

IMPORTANT: No liability is accepted for incorrect use of product.

WARRANTY: Guarantee is 12 months from purchase date, proof of which will be required for any claim.

Sealey Group, Kempson Way, Suffolk Business Park, Bury St Edmunds, Suffolk. IP32 7AR



01284 757500



01284 703534



sales@sealey.co.uk

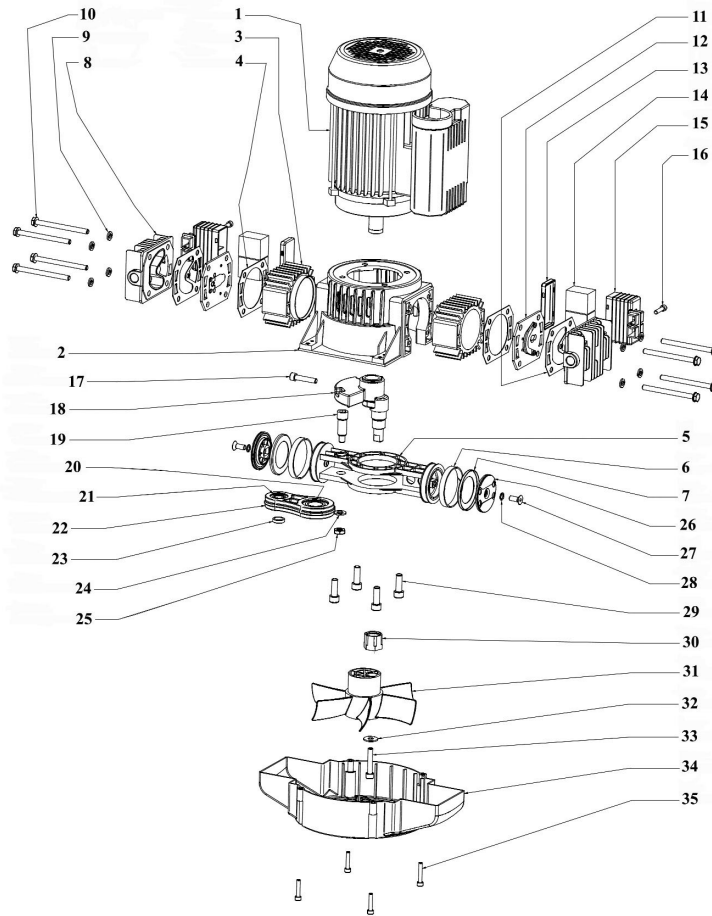


www.sealey.co.uk



Parts Information:
Oil Free Bi-Cylindrical Compressor 3ltr
2.3hp
Model No: SA3304

PUMP PARTS



Item	Part No.	Description
1	SA3304.01-P01	MOTOR c/w CRANK
2	SA3304.01-P02	CRANKCASE
3	SA3304.01-P03	CYLINDER
4	SA3304.01-P04	CYLINDER GASKET
5	SA3304.01-P05	PISTON
6	SA3304.01-P06	PISTON RING
7	SA3304.01-P07	GASKET
8	SA3304.01-P08	HEAD
9	SA3304.01-P09	WASHER
10	SA3304.01-P10	SCREW
11	SA3304.01-P11	HEAD GASKET
12	SA3304.01-P12	VALVE PLATE
13	SA3304.01-P15	FILTER BODY ASSEMBLY
14	SA3304.01-P14	FOAM FILTER
15	SA3304.01-P15	FILTER BODY ASSEMBLY
16	SA3304.01-P16	SCREW M6
17	SA3304.01-P17	SCREW M8
18	SA3304.01-P01	MOTOR c/w CRANK

Item	Part No.	Description
19	SA3304.01-P19	PIN
20	B/6205-2RS	BEARING 6205-2RS
21	SA3304.01-P21	BEARING 3202/A 2RS
22	SA3304.01-P22	CONNECTING ROD
23	SA3304.01-P23	SPACER
24	SA3304.01-P24	WASHER
25	SN10.S	STEEL NUT M10 ZINC DIN934(SINGLE)
26	SA3304.01-P26	PISTON COVER
27	SA3304.01-P27	SCREW M8
28	SA3304.01-P28	O-RING
29	SA3304.01-P29	SCREW M8
30	SA3304.01-P30	METAL RING
31	SA3304.01-P31	FAN
--	SA3304.31-R	FAN RING (NOT SHOWN)
32	SA3304.01-P32	WASHER
33	SA3304.01-P33	SCREW M8
34	SA3304.01-P34	FAN COVER
35	SA3304.01-P35	SCREW M6

NOTE: It is our policy to continually improve products and as such we reserve the right to alter data, specifications and component parts without prior notice.

IMPORTANT: No liability is accepted for incorrect use of product.

WARRANTY: Guarantee is 12 months from purchase date, proof of which will be required for any claim.

Sealey Group, Kempson Way, Suffolk Business Park, Bury St Edmunds, Suffolk. IP32 7AR



01284 757500



01284 703534



sales@sealey.co.uk



www.sealey.co.uk