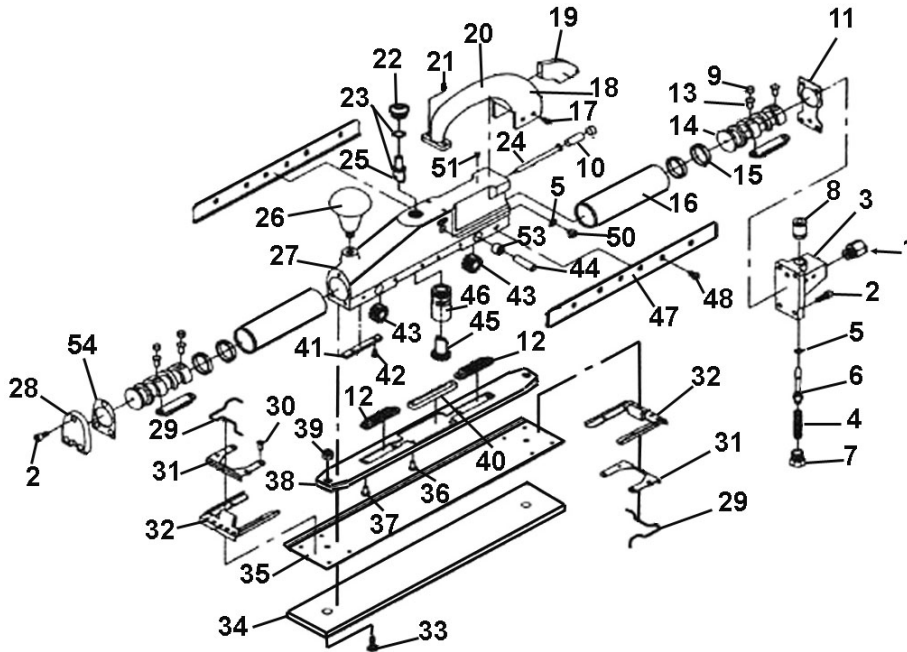


Parts Information: Air Long Bed Sander 400 x 70mm Twin Piston In-line Model No: SA32.V2



Item	Part No.	Description
1	SA32.V2-01	AIR INLET
2	SA32.V2-02	SCREW
3	SA32.V2-03	REAR COVER
4	SA32.V2-04	SPRING
5	SA32.V2-05	O-RING
6	SA32.V2-06	VALVE STEM
7	SA32.V2-07	VALVE PLUG
8	SA32.V2-08	VALVE COLLAR
9	SA32.V2-09	OIL COTTON
10	SA32.V2-10	OIL COTTON
11	SA32.V2-11	GASKET
12	SA32.V2-12	FLAT GEAR
13	SA32.V2-13	RIVET
14	SA32.V2-14	PISTON
15	SA32.V2-15	PISTON RING
16	SA32.V2-16	CYLINDER
17	SA32.V2-17	SCREW
18	SA32.V2-18	SPRING PIN M3X26
19	SA32.V2-19	TRIGGER
20	SA32.V2-20	HANDLE
21	MSP514.S	MACHINE SCREW PAN HEAD PHILLIPS M5x14mm
22	SA32.V2-22	PLUG
23	SA32.V2-23	O-RING
24	SA32.V2-24	PIN
25	SA32.V2-25	SWITCH (c/w SLEEVE)

Item	Part No.	Description
26	SA32.V2-26	PALM HANDLE
27	SA32.V2-27	BODY
28	SA32.V2-28	FRONT COVER
29 - 32	SA32.V2-35	PAD ASSEMBLY (PARTS 29,30,31,32,34,35)
33	CBN616.S	COACH BOLT M6x16mm (SINGLE)
34 - 35	SA32.V2-35	PAD ASSEMBLY (PARTS 29,30,31,32,34,35)
36	SA32.V2-36	RIVET
37	SA32.V2-37	RIVET
38	SA32.V2-38	PAD PLATE
39	NLN6.S	NYLOC NUT M6 ZINC DIN 985 (SINGLE)
40	SA32.V2-40	SIDE GEAR
41	SA32.V2-41	BRASS PLATE
42	SA32.V2-42	SCREW
43	SA32.V2-43	TRANSMISSION GEAR
44	SA32.V2-44	GEAR SHAFT
45	SA32.V2-45	SWITCH GEAR
46	SA32.V2-25	SWITCH (c/w SLEEVE)
47	SA32.V2-47	PLATE GUIDE
48	MSP68.S	MACHINE SCREW PAN HEAD PHILLIPS M6x8mm
50	SA32.V2-50	SCREW
51	SA32.V2-51	RIVET
--	SA32.V2-52	PLUG (NOT SHOWN)
53	B/HK0810	NEEDLE BEARING HK0810
54	SA32.V2-54	FRONT GASKET

NOTE: It is our policy to continually improve products and as such we reserve the right to alter data, specifications and component parts without prior notice.

IMPORTANT: No liability is accepted for incorrect use of product.

WARRANTY: Guarantee is 12 months from purchase date, proof of which will be required for any claim.