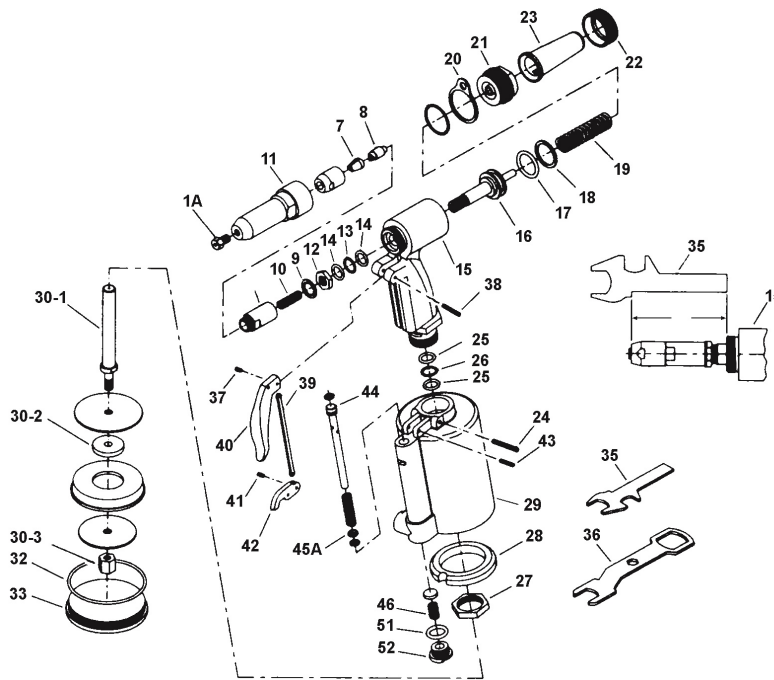




Parts Information: Air/Hydraulic Riveter Model No: SA31



Item	Part No.	Description
1A	SA31/01A	3/16" NOSE PIECE
1B	SA31/01B	5/32" NOSE PIECE
1C	SA31/01C	1/8" NOSE PIECE
1D	SA31/01D	3/32" NOSE PIECE
--	SA31/02	JAW CASE (NOT SHOWN)
7	SA312/07	JAW (SET OF 2)
8	SA31/04	JAW PUSHER
9	SA314/09	INT TOOTH WASHER, CASE
10	SA31/05	SPRING, JAW PUSHER
11	SA31T/11	HEAD, FRAME
12	SA316.46	CASE LOCK NUT M10
13	SA314/13	RING, BACK-UP
14	SA314/14	O-RING, BACK-UP
15	SA31T/15	FRAME
16	SA31/11	OIL PISTON
17	SA312/17	O-RING, OIL PISTON P22A
18	SA312/18	BACK UP RING
19	SA31/14	RETURN SPRING
20	SA312/20	HANGING CLIP
21	SA312/21	FRAME CAP
22	SA312/22	FRAME CAP NUT
--	SA31/17	FRAME-CLIP O-RING (NOT SHOWN)
23	SA31/18	SAFETY-CAP
24	SA31/19	PIN
25	SA31/21	BACK-UP O-RING
26	SA314/13	RING, BACK-UP

Item	Part No.	Description
27	SA31/22	FRAME LOCK-NUT
28	SA31/23	RUBBER CUSHION
29	SA31/24	AIR CYLINDER
30-1	SA31/25	AIR PISTON STEM
30-2	SA31/26	AIR PISTON
30-3	SA31/27	AIR PISTON LOCK-NUT
--	SA31/29	AIR PISTON O-RING (NOT SHOWN)
32	SA312/32	O-RING, CYLINDER
33	SA31/32	CYLINDER CAP
35	SA312/35	GAUGE, SPANNER
36	SA31/35	SPANNER
37	SA31/36	TRIGGER PIN
38	SA31/37	CONNECTOR, 5mm LONG
39	SA312/39	TRIGGER ROD
40	SA31/39	TRIGGER
41	SA31/40	CONNECTOR, 22mm LONG
42	SA314/42	LEVER, TRIGGER
43	SA31/42	LEVER-PIN
44	SA31/43	VALVE PUSHER
--	SA31/43A	VALVE PUSHER SPRING (NOT SHOWN)
45A	SA31/44	VALVE COLLAR
--	SA31/45	VALVE O-RING (NOT SHOWN)
--	SA31/47	VALVE, NEW TYPE FLAT (NOT SHOWN)
46	SA31/48	VALVE SPRING
51	SA31/49	VALVE-CAP O-RING
52	SA31/50	VALVE-CAP

NOTE: It is our policy to continually improve products and as such we reserve the right to alter data, specifications and component parts without prior notice.

IMPORTANT: No liability is accepted for incorrect use of product.

WARRANTY: Guarantee is 12 months from purchase date, proof of which will be required for any claim.

Sealey Group, Kempson Way, Suffolk Business Park, Bury St Edmunds, Suffolk. IP32 7AR



01284 757500



01284 703534



sales@sealey.co.uk



www.sealey.co.uk