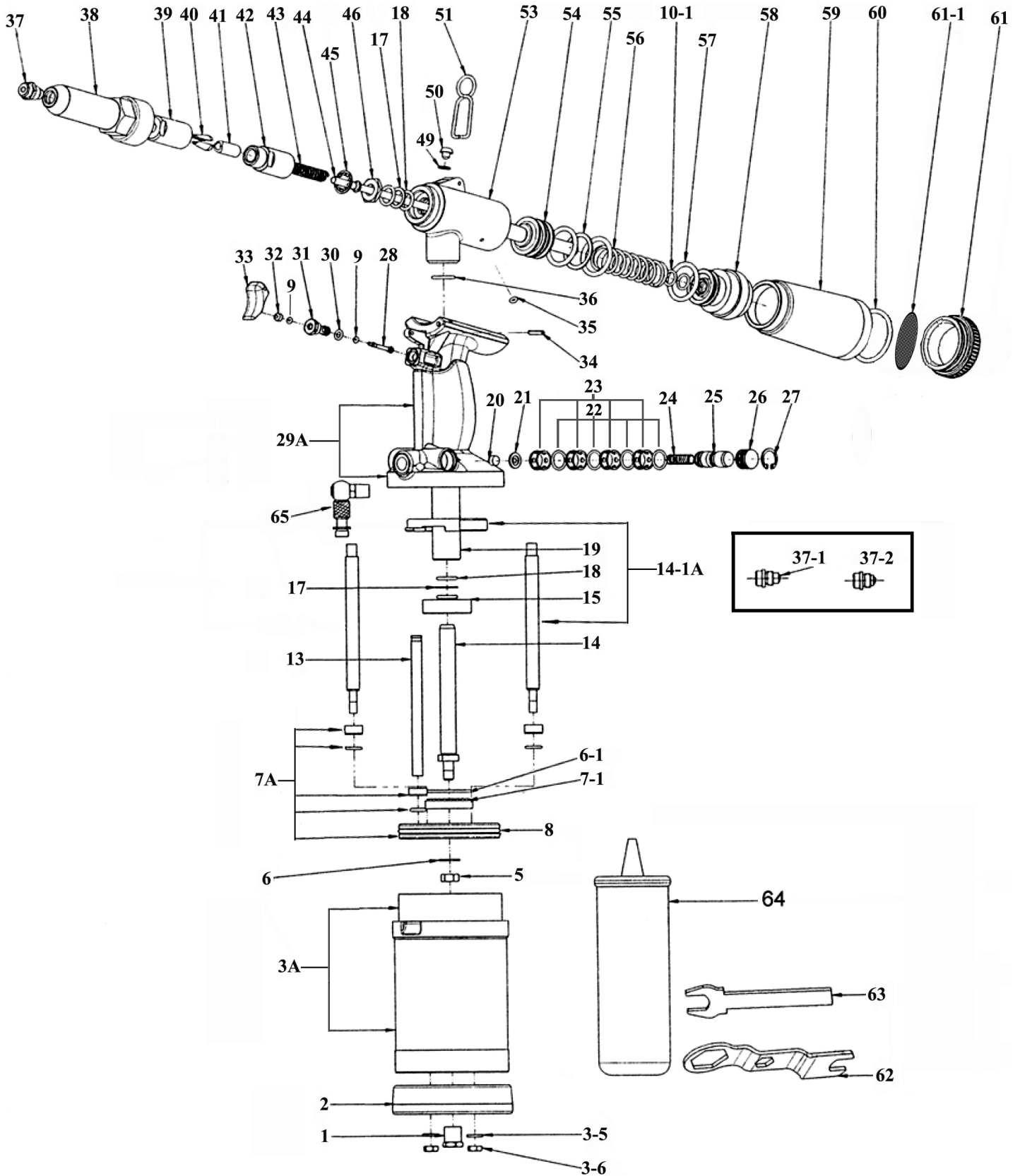




Parts Information:  
Air/Hydraulic Riveter Heavy-Duty Vacuum  
System  
Model No: SA316



**NOTE:** It is our policy to continually improve products and as such we reserve the right to alter data, specifications and component parts without prior notice.

**IMPORTANT:** No liability is accepted for incorrect use of product.

**WARRANTY:** Guarantee is 12 months from purchase date, proof of which will be required for any claim.

Sealey Group, Kempson Way, Suffolk Business Park, Bury St Edmunds, Suffolk. IP32 7AR



01284 757500



01284 703534



sales@sealey.co.uk



www.sealey.co.uk



Parts Information:  
**Air/Hydraulic Riveter Heavy-Duty Vacuum System**  
**Model No: SA316**

Item	Part No.	Description
1	SA316.01	Safety Valve Ass'y
2	SA316.02	Rubber Base
3A	SA316.03	Air Cylinder Body + Liner
3-5	SA316.3-5	Washer
3-6	SA316.3-6	Nut
5	SA316.05	Nut
6	SA316.06	Washer
6-1	SA316.6-1	Washer
7A	SA316.07	Air Piston
7-1	SA316.7-1	Washer
8	SA316.08	O-Ring (72.62-79.68-3.53)
9	SA316.09	O-Ring (1.78-5.34-1.78)
--	SA316.10	O-Ring (7.6-12.84-2.62) (NOT SHOWN)
10-1	SA316.10-1	O-Ring (9.8-13.6-1.9)
--	SA316.11	O-Ring Depressor (NOT SHOWN)
--	SA316.11-1	O-Ring Depressor (NOT SHOWN)
13	SA316.13	Tube
14	SA316.14	Rod
14-1A	SA316.14-1A	Rod & Nut Stand
15	SA316.15	Stem Nut
17	SA316.17	Back-Up Ring
18	SA316.18	O-Ring (11.8-16.6-2.4)
19	SA316.19	Stem
20	SA316.20	Muffler
21	SA316.21	Pad
22	SA316.22	O-Ring (12.42-15.98-1.78)
--	AK4564D.13	O-Ring 12.74x1.78 (NOT SHOWN)
23	SA316.23	Cage
24	SA316.24	Spring
25	SA316.25	Valve
26	SA316.26	Valve Cap
27	SA316.27	Retaining Ring
28	SA316.28	Valve Piston
29A	SA316.29	Handle Body (C/W Rubber Sheath)
30	SA316.30	O-Ring (4.47-8.03-1.78)

Item	Part No.	Description
31	SA316.31	Trigger Insert
32	SA316.32	Trigger Head
33	SA316.33	Trigger
34	SA316.34	Spring Pin
35	SA316.35	O-Ring (2.57-6.13-1.78)
36	SA316.36	O-Ring (13.8-18.6-2.4)
37	SA316.37	Nozzle 1/4"
37-1	SA316.37-1	Nozzle 7/32"
37-2	SA316.37-2	Nozzle 3/16"
38	SA316.38	Frame Head
39	SA316.39	Jaw Housing
40	SA316.40	Jaw For Nozzles
41	SA316.41	Jaw Pusher For Nozzles
42	SA316.42	Jaw Housing Coupler
43	SA316.43	Spring
44	SA316.44	Piston Shaft
45	SA316.45	M10 Int Tooth Washer Zinc
46	SA316.46	Case Lock Nut M10
49	SA316.49	Oil Seal Washer
50	SA316.50	Hexagon Socket Screw
51	SA316.51	Hook
53	SA316.53	Oil Cylinder Body
54	SA316.54	Piston Rod
55	SA316.55	O-Ring
56	SA316.56	Spring
57	SA316.57	O-Ring (24.7-31.7-3.5)
58	SA316.58	Frame Cap Nut
59	SA316.59	Bottle
60	SA316.60	O-Ring (37.7-44.7-3.5)
61	SA316.61	Bottle Adaptor
61-1	SA316.61-1	Silencer
62	SA316.62	Spanner
63	SA316.63	Spanner Gauge
64	SA316.64	Oil Can
65	SA316.65	Valve

**NOTE:** It is our policy to continually improve products and as such we reserve the right to alter data, specifications and component parts without prior notice.

**IMPORTANT:** No liability is accepted for incorrect use of product.

**WARRANTY:** Guarantee is 12 months from purchase date, proof of which will be required for any claim.

**Sealey Group**, Kempson Way, Suffolk Business Park, Bury St Edmunds, Suffolk. IP32 7AR



01284 757500



01284 703534



sales@sealey.co.uk



www.sealey.co.uk