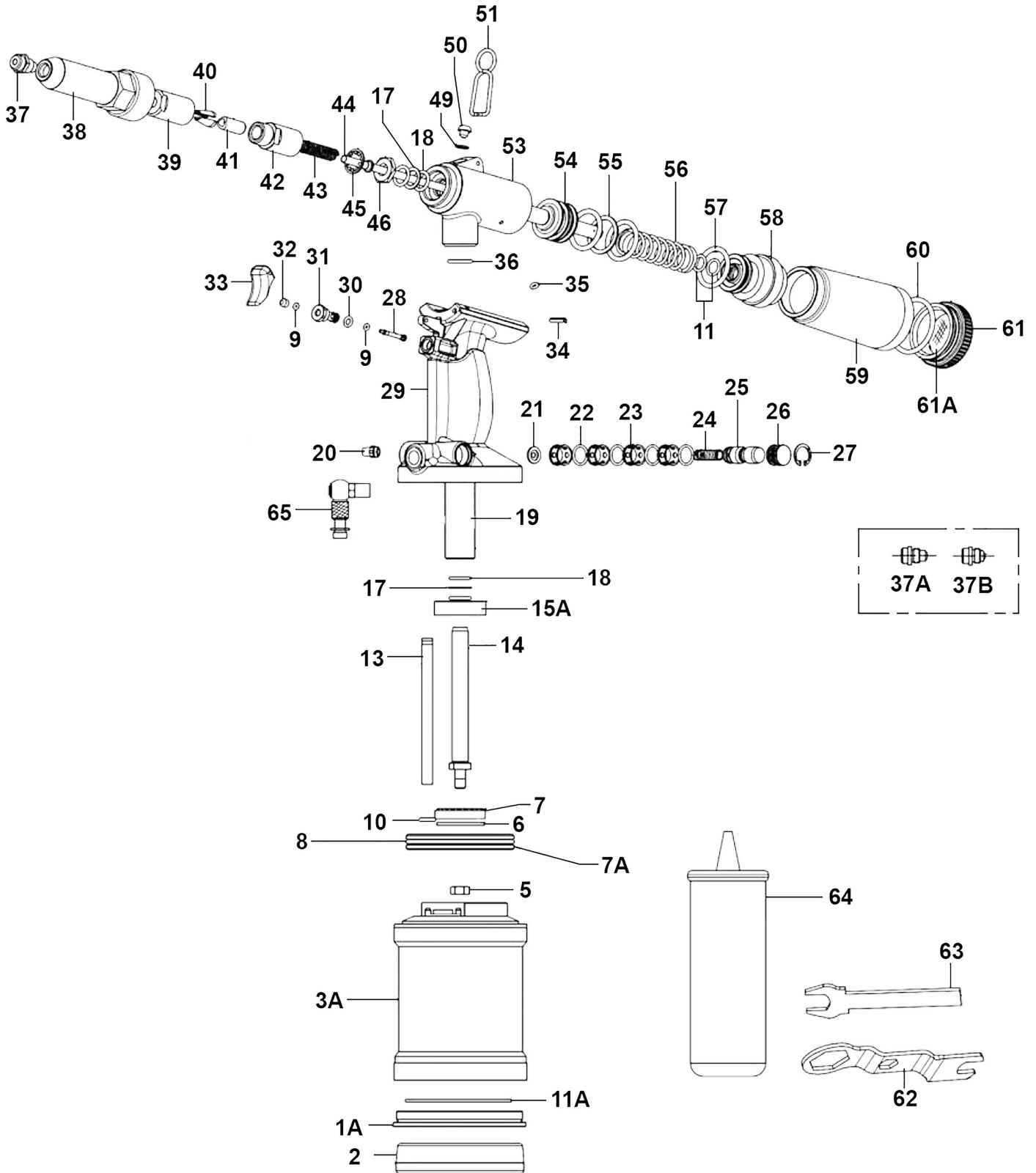




Parts Information:
Air/Hydraulic Riveter Vacuum System
Model No: SA316.V3



NOTE: It is our policy to continually improve products and as such we reserve the right to alter data, specifications and component parts without prior notice. There may be alternative versions of this product, please contact us should you require this information.

IMPORTANT: No liability is accepted for incorrect use of product. Spare parts must be fitted by a competent person

WARRANTY: Guarantee is 12 months from purchase date, proof of which will be required for any claim.

Sealey Group, Kempson Way, Suffolk Business Park, Bury St Edmunds, Suffolk. IP32 7AR



01284 757500



sales@sealey.co.uk



www.sealey.co.uk



Parts Information:
Air/Hydraulic Riveter Vacuum System
Model No: SA316.V4

Item	Part No.	Description
1A	SA316.V3-01A	Cylinder Cap
2	SA316.02	Rubber Base
3A	SA316.V3-03A	Air Cylinder Body
5	SA316.05	Nut
6	SA316.6-1	Washer
7A	SA316.V3-07A	Air Piston
7	SA316.7-1	Washer
8	SA316.08	O-Ring (79.68 x 72.62 x 3.53mm)
9	SA316.09	O-Ring (5.49 x 1.93 x 1.78mm)
10	SA316.10	O-Ring (12.83 x 7.59 x 2.62mm)
11	SA316.10-1	O-Ring (14.38 x 10.82 x 1.78mm)
11A	SA6005.23	O-Ring (73.13 x 69.57 x 1.78mm)
13	SA316.13	Tube
14	SA316.14	Rod
15A	SA316.V3-15A	Stem Nut
17	SA316.17	Back-Up Ring
18	SA316.18	O-Ring (16.63 x 11.46 x 2.59mm)
19	SA316.19	Stem
20	SA316.20	Muffler
21	SA316.21	Pad
22	840.V2-M18	O-Ring (15.98 x 12.42 x 1.78mm)
23	SA316.23	Cage
24	SA316.24	Spring Ø8.1mm
25	SA316.25	Valve
26	SA316.26	Valve Cap
27	SA316.27	Retaining Ring
28	SA316.28	Valve Piston
29	SA316.V3-29A	Handle Body Assembly
30	SA77S.V4-19	O-Ring (8.03 x 4.47 x 1.78mm)
31	SA316.31	Trigger Insert
32	SA316.32	Trigger Head
33	SA316.33	Trigger

Item	Part No.	Description
34	SA316.34	Spring Pin
35	SA792.V3-67	O-Ring (6.13 x 2.57 x 1.78mm)
36	SA316.36	O-Ring (18.59 x 13.78 x 2.41mm)
37	SA316.37	Nozzle 1/4"
37A	SA316.37-1	Nozzle 7/32"
37B	SA316.37-2	Nozzle 3/16"
38	SA316.38	Frame Head
39	SA316.39	Jaw Housing
40	SA316.40	Jaw for Nozzle
41	SA316.V2-41	Jaw Pusher for Nozzles
42	SA316.42	Jaw Housing Coupler
43	SA316.V2-43	Spring Ø9.7mm
44	SA316.V2-44	Piston Shaft
45	SA316.45	M10 Int Tooth Washer
46	SA316.46	Case Lock Nut M10
49	SA316.49	Oil Seal Washer
50	SA316.50	Hexagon Socket Screw
51	SA316.51	Hook
53	SA316.53	Oil Cylinder Body
54	SA316.54	Piston Rod
55	SA316.55	White Plastic Washer
56	SA316.56	Spring
57	SA316.57	O-Ring (32.06 x 25 x 3.53mm)
58	SA316.58	Frame Cap Nut
59	SA316.59	Bottle
60	SA316.60	O-Ring (44.76 x 37.70 x 3.53mm)
61	SA316.61	Bottle Adaptor
61A	SA316.61-1	Silencer
62	SA316.62	Spanner
63	SA316.63	Spanner Gauge
64	SA316.64	Oil Bottle
65	SA316.65	Valve

NOTE: It is our policy to continually improve products and as such we reserve the right to alter data, specifications and component parts without prior notice. There may be alternative versions of this product, please contact us should you require this information.

IMPORTANT: No liability is accepted for incorrect use of product. Spare parts must be fitted by a competent person

WARRANTY: Guarantee is 12 months from purchase date, proof of which will be required for any claim.

Sealey Group, Kempson Way, Suffolk Business Park, Bury St Edmunds, Suffolk. IP32 7AR



01284 757500



sales@sealey.co.uk



www.sealey.co.uk