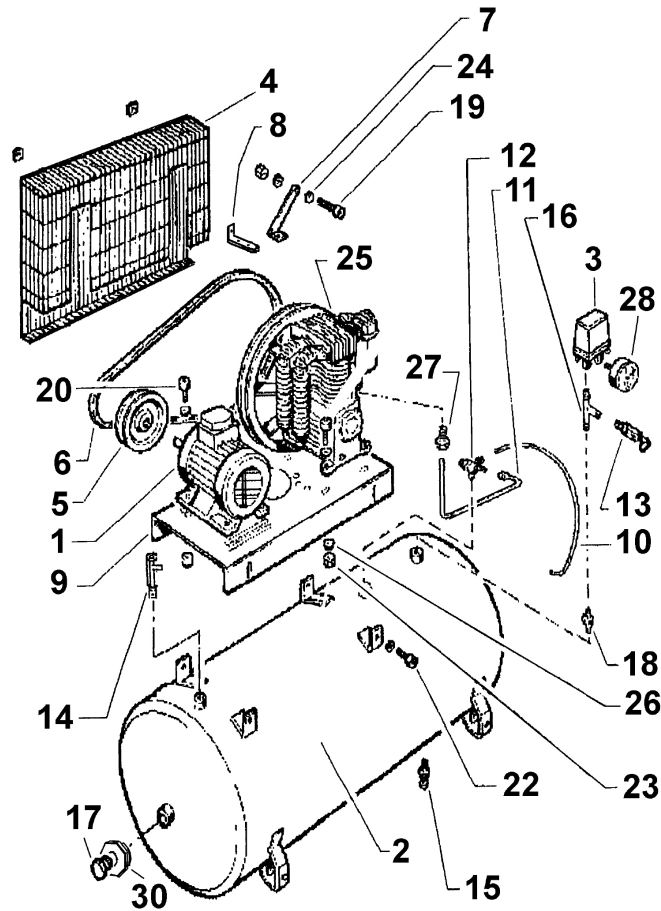


Parts Information:
Compressor 270ltr Belt Drive 7.5hp 3ph
2-Stage Cylinder
Model No: SA3027/75



Item	Part No.	Description
1	SH10700270	Motor (External 7.5HP 230/400V 50HZ)
2	SH11903110	Tank 270LTR
--	SAC9063270	Switch 4V 3/8"MDR3/11 (NOT SHOWN)
3	SH12800410	Switch 3/8" New Type
4	SH13400180	Belt Guard
5	SAC9076909	Pulley 140 1B F28
6	V/B58	V-Belt (ID-1473) B58
--	V/B56	V-Belt (ID-1422) B56 (NOT SHOWN)
7	SH14201450	Belt Guard Bracket
8	SH14200460	Bracket -Pulley Cover
9	SH14202110	Base Plate (4241)
10	SH14300980	Air Pipe Plastic(42cm)Rilsan
11	SH14303010	Sending Tube K30 270LTR
12	SH14400290	Non Return Valve 1" M D18
13	SH14401350	Safety Valve 3/8"BSP
14	SAC9047005	Ball Valve 1/2"BSP Male 1/2"BSP Female
15	SH15300320	Drain Cock 3/8
16	SH16901440	T-Piece Union

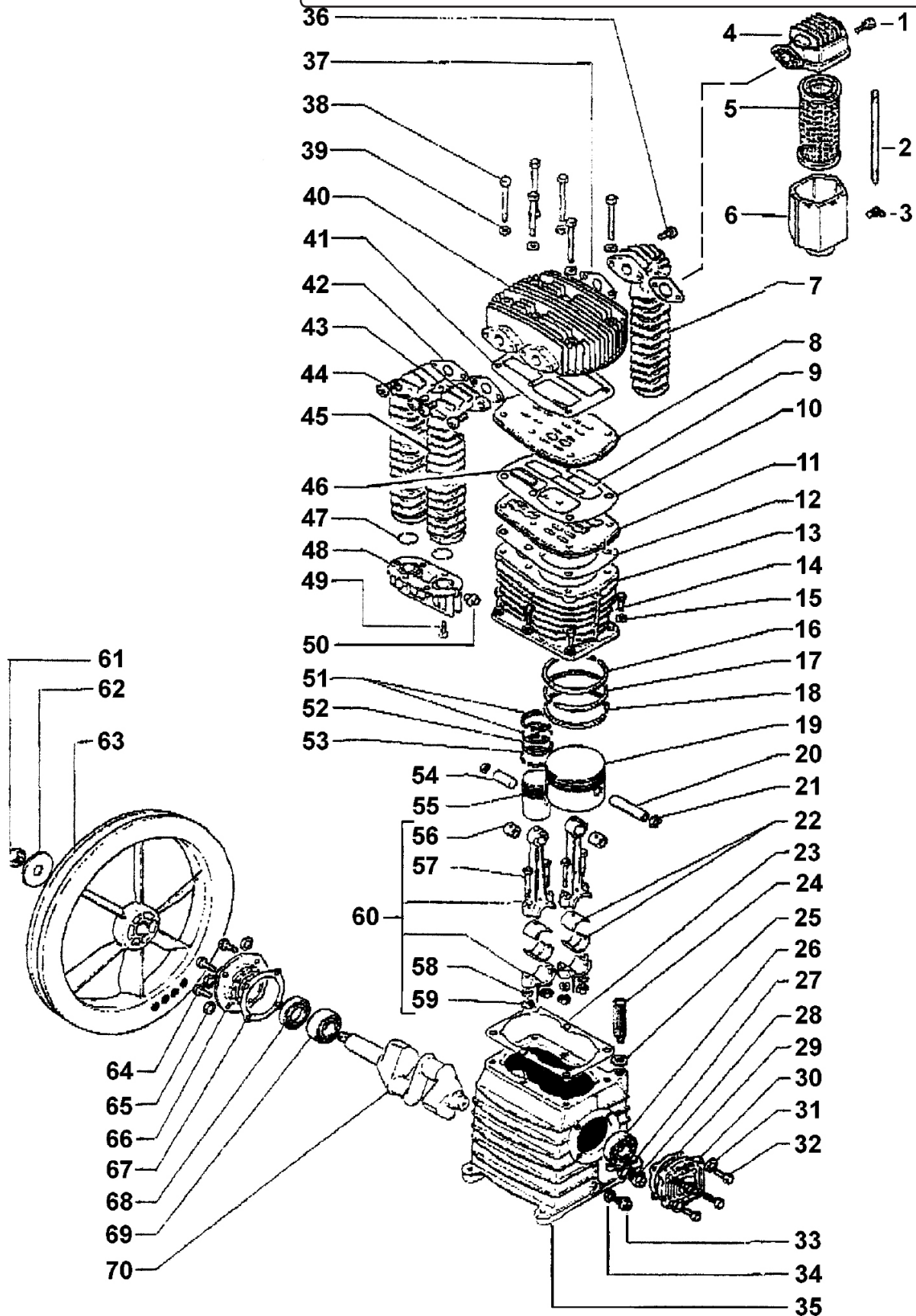
Item	Part No.	Description
17	SH16901960	2" Plug
18	SH16901980	Union Reducer 3/8-1/4
18	SH16902170	Reducer 3/8" - 1/4"
19	SH17300230	Bolt M8x20
20	SH17300250	Bolt M8x30
22	SS1015.S	Hex Head Set Screw M10x15mm Single
23	SN8.S	Steel Nut M8 Zinc Din934 (Single)
24	FWM10.S	Flat Washer M10 Single
25	SHK3010260	Pump Group K30 - FA385 1ASX F/EX W/Plug
26	SH17500160	Washer 8x24
27	SH16902132	Pipe Fitting New Type
28	SAC4100612	Gauge 300 PSI 60mm OD, Rear Fitting.
--	SH13400050	Fixing Block (Pulley Guard) (NOT SHOWN)
30	SH16901820	Reduction 2"-1/2
--	SH13400030	Anti-Vibration Bar (Long) (NOT SHOWN)
--	SH10700270	Motor (External 7.5HP 230/400V 50HZ) (NOT SHOWN)
--	SH13302010	Motor Fan (NOT SHOWN)
--	SH13302400	Motor End Plate (NOT SHOWN)

NOTE: It is our policy to continually improve products and as such we reserve the right to alter data, specifications and component parts without prior notice.

IMPORTANT: No liability is accepted for incorrect use of product.

WARRANTY: Guarantee is 12 months from purchase date, proof of which will be required for any claim.

Parts Information:
Compressor 270ltr Belt Drive 7.5hp 3ph
2-Stage Cylinder
Model No: SA3027/75



NOTE: It is our policy to continually improve products and as such we reserve the right to alter data, specifications and component parts without prior notice.

IMPORTANT: No liability is accepted for incorrect use of product.

WARRANTY: Guarantee is 12 months from purchase date, proof of which will be required for any claim.



Parts Information:
**Compressor 270ltr Belt Drive 7.5hp 3ph
 2-Stage Cylinder
 Model No: SA3027/75**

Item	Part No.	Description
1	SS1020.SB	Hex Head Set Screw M10x20mm Black
--	SS1020.S	Hex Head Set Screw M10x20mm Single (NOT SHOWN)
2	SH37305190	Tension Rod
3	SN6.SW	Wing Nut M6 (Single)
4	SH35602950	Filter Cover
5	SH35602940	Cartridge , Air Filter Refill
6	SH35602930	Filter Casing
7	SH32902730	Aftercooler
8	SH32702750	Valve Plate
9	SH32702400	Valve BP
10	SL40300	Gasket
11	SH32702750	Valve Plate
12	SH30502290	Gasket
13	SH31602020	Cylinder
14	SH37302420	Screw
15	SH37504220	Washer
16	SH31202160	Compression Ring BP
17	SH31202170	Compression Ring BP
18	SH31202180	Slotted Oil Scraper Ring BP
19	SH31202190	Piston BP, Dia. 105
20	SH31202230	Piston Pin BP
21	SH37602260	Circlip
22	SH31102130	Bearing Shell
23	SH30502300	Gasket
24	SH3650030A	Breather 3/8 With Red Cup
25	SH3050016A	Gasket/Oil Filler
26	B/6205	Bearing 6205
27	SH30500130	Gasket
28	SH36500140	Oil View Glass
29	SH30502310	Gasket
30	SH30402740	Support
31	SH37500330	Washer
32	SH37300070	Bolt M8x22
33	SH36500110	Oil Drain Bolt
34	SH30500160	Gasket,Oil Drain
35	SH33102030	Crankcase
36	SH37302530	SKT. HD Bolt M10x25

Item	Part No.	Description
37	SH30502330	Gasket
38	SH37308060	Screw
39	FWM10.S	Flat Washer M10 Single
40	SH31302700	Cylinder Head
41	SL50400	Gasket
42	SH30502330	Gasket
43	SH32902710	Cooler
44	SH37302530	SKT. HD Bolt M10x25
45	SH32902720	Cooler
46	SH32702390	Valve AP
47	SH30502400	Or Gasket
48	SH3690211A	Connector
49	SH37302480	Screw
50	SH36506800	Plug
51	SH31203390	Compression Ring AP
52	SH31202200	Stepped Oil Scraper Ring AP
53	SH31202210	Slotted Oil Scraper Ring AP
54	SH31202240	Piston Pin AP
55	SH31203050	Piston AP, Dia. 52
56	SH31102250	Bush
57	SH37302460	Screw
58	SH37500400	Washer, Cylinder Head
59	SH37402590	Nut
60	SH31101990	Complete Connecting Rod
61	SH37403780	Nut
62	SH37502450	Washer
63	SH31002680	Flywheel
64	SH37300070	Bolt M8x22
65	SH37500330	Washer
66	SH30402800	Support
67	SH30502310	Gasket
68	SH30302150	Seal
69	B/6205	Bearing 6205
70	SH30202000	Crankshaft
--	SH32551400	Service Kit No.2 (K30) (NOT SHOWN)
--	SH32552500	Service Kit No.3 (K30)Includes Filter (NOT SHOWN)
--	SH32553500	Service Kit No.1 (K30) (NOT SHOWN)

NOTE: It is our policy to continually improve products and as such we reserve the right to alter data, specifications and component parts without prior notice.

IMPORTANT: No liability is accepted for incorrect use of product.

WARRANTY: Guarantee is 12 months from purchase date, proof of which will be required for any claim.

Sealey Group, Kempson Way, Suffolk Business Park, Bury St Edmunds, Suffolk. IP32 7AR



01284 757500



01284 703534



sales@sealey.co.uk



www.sealey.co.uk