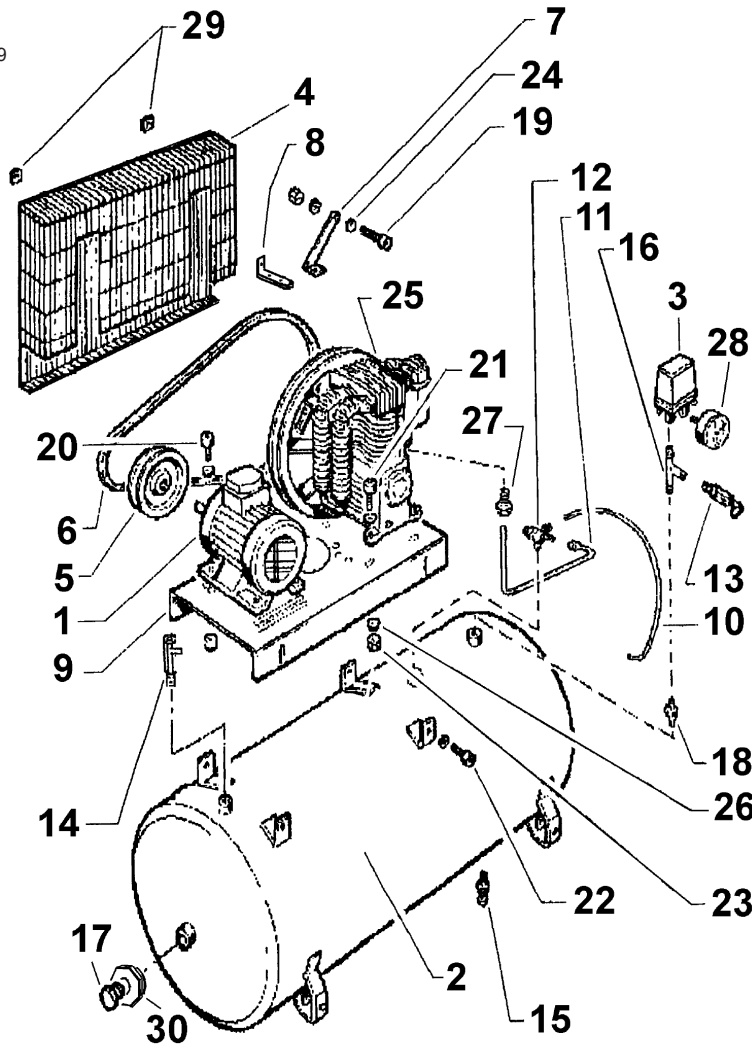


Issue: 2  
Date Issued: 15/04/2009



ITEM	PART NO	DESCRIPTION	ITEM	PART NO	DESCRIPTION
1	SH10700240	3-PH MOTOR (SA3015/55 & SA3020/55)	13	SH14400330	SAFETY VALVE (OLD TYPE) (SA3015/55 & SA3020/55)
1	SH10700270	MOTOR 7.5HP (SA3027/75)	13	SH14401340	SAFETY VALVE (NEW TYPE) (SA3015/55)
2	SH11902990	TANK 150ltr (SA3015/55) OLD TYPE	13	SH14401350	SAFETY VALVE (NEW TYPE) (SA3020/55 & SA3027/75)
2	SH11903330	TANK 150ltr (SA3015/55) NEW TYPE	14	SH15300260	OUTLET TAP 1/2 BSP
2	SH11903000	TANK 200ltr (SA3020/55) OLD TYPE	15	SH15300320	DRAIN VALVE, CONDENSATE
2	SH11903640	TANK 200ltr (SA3020/55) NEW TYPE	16	SH16901440	T-PIECE UNION
2	SH11903110	TANK 270ltr (SA3027/75)	17	SH16901890	PLUG, TANK 1/2" BSP
3	SH12800160	SWITCH (SA3015/55 & SA3020/55) OLD TYPE	18	SH16901980	REDUCER 3/8" - 1/4" (OLD TYPE)
3	SH12800400	SWITCH (SA3015/55 & SA3020/55) NEW TYPE	18	SH16902170	REDUCER 3/8" - 1/4" (NEW TYPE)
3	SH12800180	SWITCH (SA3027/75) OLD TYPE	19	SH17300230	BOLT
3	SH12800410	SWITCH (SA3027/75) NEW TYPE	20	SH17300250	BOLT M8x30
4	SH1340007A	BELT GUARD (SA3015/55 & SA3020/55)	21	SH17300270	BOLT M8x40
4	SH13400180	BELT GUARD (SA3027/75)	22	SH17300300	BOLT M10x15
5	SH13500850	PULLEY (SA3015/55 & SA3020/55)	23	SH17400080	NUT
5	SH13501060	PULLEY (SA3027/75)	24	SH17500100	WASHER 10.5 x 21 UNI5739
6	SH13900430	BELT (SA3015/55 & SA3020/55)	25	SHK2509680	COMPRESSOR (K25) (SA3015/55 & SA3020/55) OLD TYPE
6	SH13900540	BELT (SA3027/75)	25	SHK2509612	COMPRESSOR (K25) (SA3015/55 & SA3020/55) NEW TYPE
7	SH14200390	BELT GUARD BRACKET (SA3015/55 & SA3020/55)	25	SHK3010260	COMPRESSOR (K30) (SA3027/75)
7	SH14201450	BELT GUARD BRACKET (SA3027/75)	26	SH17500160	WASHER 8x24
8	SH14200460	BRACKET - PULLEY COVER	27	SH16901740	PIPE FITTING (SA3015/55 & SA3020/55) OLD TYPE
9	SH1420050A	BASE PLATE (OLD TYPE)	27	SH16904730	PIPE FITTING (SA3015/55 & SA3020/55) NEW TYPE
9	SH14202110	BASE PLATE (NEW TYPE)	27	SH16902132	PIPE FITTING (SA3027/75)
10	SH14300980	AIR PIPE PLASTIC (LENGTH 42CM)	28	SH15000060	GAUGE 1/4 (0-20 BAR)
11	SH14303030	SUPPLY TUBE (SA3015/55)	29	SH17500100	WASHER 10.5 x 21
11	SH14303020	SUPPLY TUBE (SA3020/55)	30	SH16901820	REDUCTION 2" - 1/2
11	SH14303010	SUPPLY TUBE (SA3027/75)			
12	SH14400260	NON RETURN VALVE			

NOTE: "New Type" Parts Came Into Effect 25/09/2007

NOTE: It is our policy to continually improve products and as such we reserve the right to alter data, specifications and component parts without prior notice.

IMPORTANT: No liability is accepted for incorrect use of product.

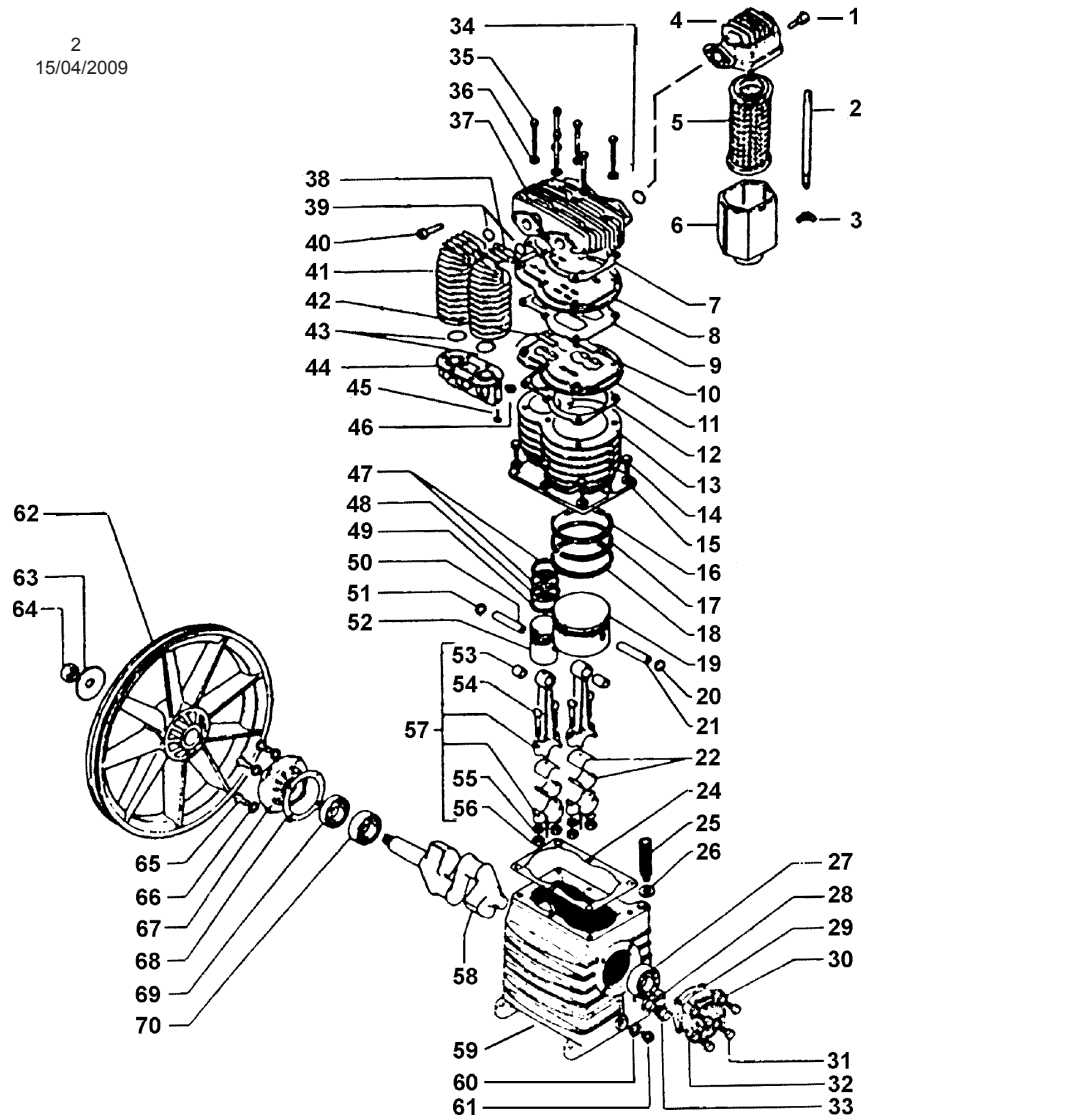
WARRANTY: Guarantee is 12 months from purchase date, proof of which will be required for any claim.

INFORMATION: For a copy of our latest catalogue and promotions call us on 01284 757525 and leave your full name and address, including postcode.

## PARTS LIST FOR: COMPRESSORS

Models: SA3015/55, SA3020/55

Issue: 2  
Date Issued: 15/04/2009



ITEM	PART NO	DESCRIPTION	ITEM	PART NO	DESCRIPTION	ITEM	PART NO	DESCRIPTION
1	SH37302430	SCREW	27	SH30300030	BEARING	51	SH37602260	CIRCLIP
2	SH37305190	TENSION ROD	28	SH30500130	EYE GLASS WASHER	52	SH31206180	PISTON
3	SH37400450	FLY NUT, FILTER	29	SH30500150	GASKET, CRANK END CAP	53	SH31102250	BUSH
4	SH35602950	FILTER COVER	30	SH37500330	WASHER	54	SH37300250	BOLT, CON/ROD
5	SH35602940	CARTRIDGE, AIR FILTER REFILL	31	SH37300070	BOLT	55	SH37500310	WASHER, CON/ROD
6	SH35602930	FILTER CASING	32	SH30400830	CRANK SUPPORT END CAP	56	SH37400220	NUT, CON/ROD
7	SH30504770	GASKET	33	SH36500140	OIL VIEW GLASS	57	SH31104840	COMP. CONNECTING ROD
8	SH32704750	VALVE PLATE	34	SH30502500	O-RING	58	SH30204610	CRANKSHAFT
9	SH30504780	GASKET	35	SH37301130	SCREW	59	SH33104600	CRANKCASE
10	SH32703560	VALVE	36	SH37500400	WASHER, CYLINDER HEAD	60	SH30500160	GASKET, OIL DRAIN
11	SH32704750	VALVE PLATE	37	SH31304890	CYLINDER HEAD	61	SH36500110	OIL DRAIN BOLT
12	SH30504740	GASKET	38	SH32903720	COOLER	62	SH31003080	FLYWHEEL
13	SH31604730	CYLINDER	39	SH30502500	O-RING	63	SH37500730	WASHER, PULLEY
14	SH37301140	BOLT, CYLINDER BASE	40	SH37302530	ALLEN BOLT, AFTER COOLER	64	SH37400720	NUT, PULLEY/CRANKSHAFT
15	SH37500670	DRAIN PLUG WASHER	41	SH32903710	COOLER	65	SH37300070	BOLT
16	SH31203570	COMPRESSION RING	42	SH32700350	VALVE	66	SH37500330	WASHER
17	SH31203580	STEPPED SCRAPER RING	43	SH30502400	OR GASKET	67	SH30400860	SUPPORT
18	SH31203590	SLOTTED OIL SCRAPER RING	44	SH3690211A	CONNECTOR	68	SH30500050	GASKET
19	SH31203600	PISTON	45	SH37302480	SCREW	69	SH30300040	OIL SEAL
20	SH37602260	CIRCLIP	46	SH36506900	REDUCER	70	SH30300030	BEARING
21	SH31203610	PISTON PIN	47	SH31204700	COMPRESSION RING			
22	SH31100210	SHELL BEARING, BIG END	48	SH31204710	STEPPED SCRAPER RING			
24	SH30504630	GASKET	49	SH31204720	SLOTTED OIL SCRAPER RING			
25	SH3650020A	BREATHER	50	SH31204670	PISTON PIN			
26	SH3050016A	GASKET/OIL FILLER						

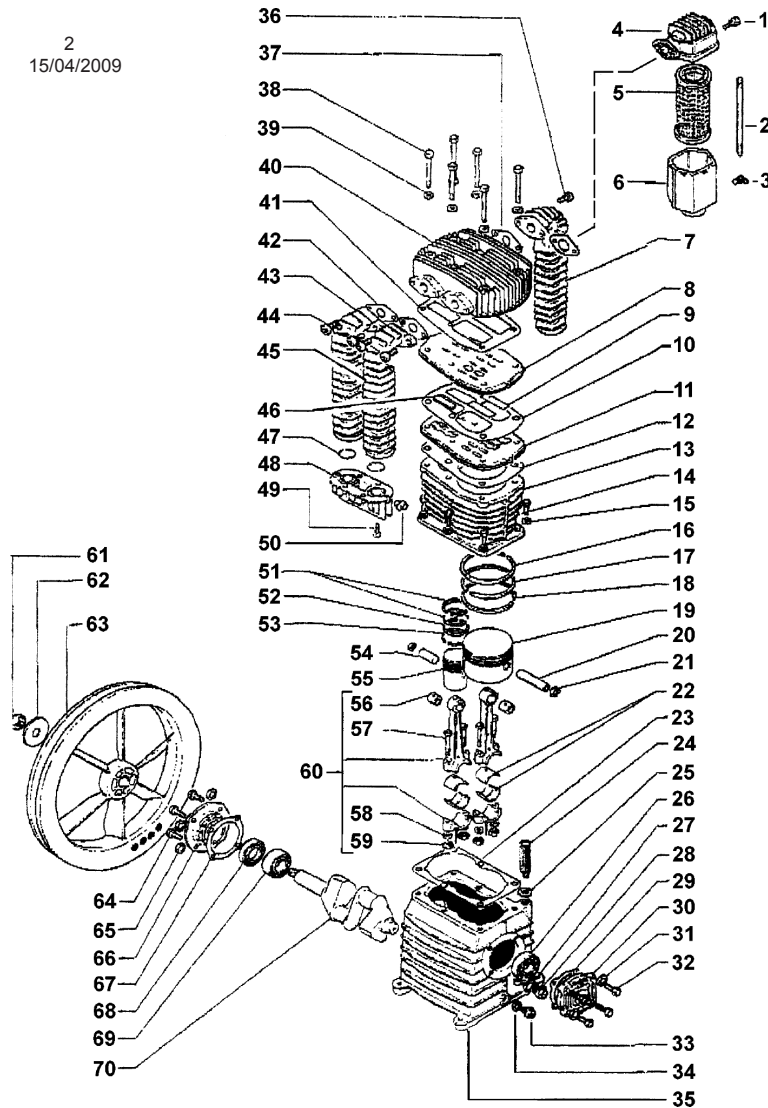
**NOTE:** It is our policy to continually improve products and as such we reserve the right to alter data, specifications and component parts without prior notice.

**IMPORTANT:** No liability is accepted for incorrect use of product.

**WARRANTY:** Guarantee is 12 months from purchase date, proof of which will be required for any claim.

**INFORMATION:** For a copy of our latest catalogue and promotions call us on 01284 757525 and leave your full name and address, including postcode.

Issue: 2  
Date Issued: 15/04/2009



ITEM	PART NO	DESCRIPTION	ITEM	PART NO	DESCRIPTION	ITEM	PART NO	DESCRIPTION
1	SH37302430	SCREW	26	SH30302140	BEARING	51	SH31203390	COMPRESSION RING AP
2	SH37305190	TENSION ROD	27	SH30500130	EYE GLASS WASHER	52	SH31202200	STEPPED OIL SCRAPER RING AP
3	SH37400450	FLY NUT, FILTER	28	SH36500140	OIL VIEW GLASS	53	SH31202210	SLOTTED OIL SCRAPER RING AP
4	SH35602950	FILTER COVER	29	SH30502310	GASKET	54	SH31202240	PISTON PIN AP
5	SH35602940	CARTRIDGE, AIR FILTER REFILL	30	SH30402740	SUPPORT	55	SH31203050	PISTON AP, dia. 52
6	SH35602930	FILTER CASING	31	SH37500330	WASHER	56	SH31102250	BUSH
7	SH32902730	AFTERCOOLER	32	SH37300070	BOLT	57	SH37302460	SCREW
8	SH32702750	VALVE PLATE	33	SH36500110	OIL DRAIN BOLT	58	SH37500400	WASHER, CYLINDER HEAD
9	SH32702400	VALVE BP	34	SH30500160	GASKET, OIL DRAIN	59	SH37402590	NUT
10	SH30502280	GASKET	35	SH33102030	CRANKCASE	60	SH31101990	COMPLETE CONNECTING ROD
11	SH32702750	VALVE PLATE	36	SH37302530	ALLEN BOLT, AFTER COOLER	61	SH37403780	NUT
12	SH30502290	GASKET	37	SH30502330	GASKET	62	SH37502450	WASHER
13	SH31602020	CYLINDER	38	SH37308060	SCREW	63	SH31002680	FLYWHEEL
14	SH37302420	SCREW	39	SH37502320	WASHER	64	SH37300070	BOLT
15	SH37504220	WASHER	40	SH31302700	CYLINDER HEAD	65	SH37500330	WASHER
16	SH31202160	COMPRESSION RING BP	41	SH30502270	GASKET	66	SH30402800	SUPPORT
17	SH31202170	COMPRESSION RING BP	42	SH30502330	GASKET	67	SH30502310	GASKET
18	SH31202180	SLOTTED OIL SCRAPER RING BP	43	SH32902710	COOLER	68	SH30302150	SEAL
19	SH31202190	PISTON BP, dia. 105	44	SH37302530	ALLEN BOLT, AFTER COOLER	69	SH30302140	BEARING
20	SH31202230	PISTON PIN BP	45	SH32902720	COOLER	70	SH30202000	CRANKSHAFT
21	SH37602260	CIRCLIP	46	SH32702390	VALVE AP			
22	SH31102130	BEARING SHELL	47	SH30502400	OR GASKET			
23	SH30502300	GASKET	48	SH3690211A	CONNECTOR			
24	SH3650020A	BREATHER	49	SH37302480	SCREW			
25	SH3050016A	GASKET/OIL FILLER	50	SH36506800	PLUG			

**NOTE:** It is our policy to continually improve products and as such we reserve the right to alter data, specifications and component parts without prior notice.

**IMPORTANT:** No liability is accepted for incorrect use of product.

**WARRANTY:** Guarantee is 12 months from purchase date, proof of which will be required for any claim.

**INFORMATION:** For a copy of our latest catalogue and promotions call us on 01284 757525 and leave your full name and address, including postcode.