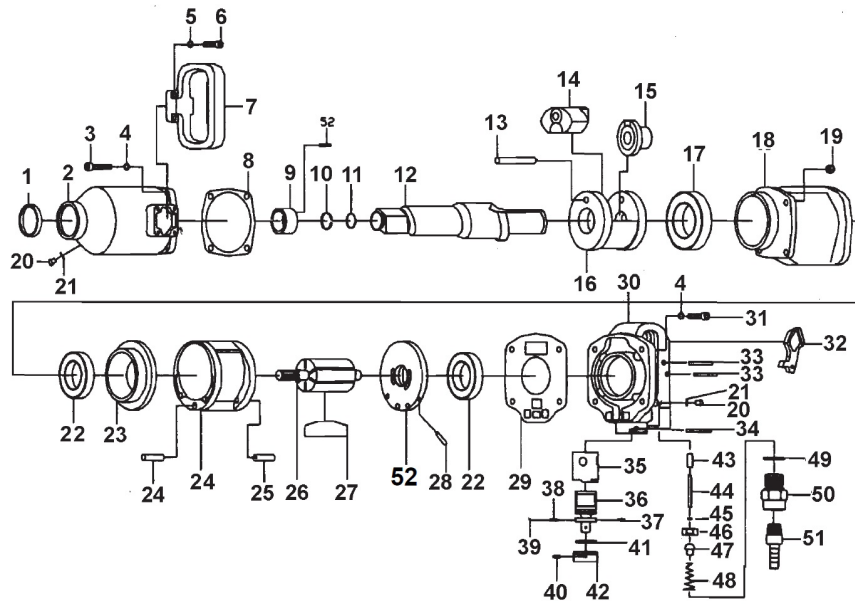




Parts Information:
**Air Impact Wrench 1" Sq Drive Straight
 Short Anvil**
Model No: SA299.V2



Item	Part No.	Description
1	SA29.V3-01	Oil seal
2	SA29.V3-02	Housing
3	SCB835.SB	Socket head cap screw m8x35 black
4	SWM8.SB	Spring washer m8 black(single)
5	SWM6.SB	Spring washer m6 black(single)
6	SA29.V3-06	Socket cap screw black m6x25
7	SA29.V3-07	Handle
8	SA29.V3-08	Gasket, front
9	SA29.V3-09	Bushing
10	SA29.V3-10	Retainer ring
11	SA29.V3-11	O-ring
12	SA299.V2-12	Anvil
13	SA29.V3-13	Hammer pin
14	SA29.V3-14	Hammer
15	SA29.V3-15	Drive cam
16	SA29.V3-16	Hammer cage
17	B/6208ZZ	Bearing 6208zz
18	SA29.V3-18	Housing
19	SN8.SB	Steel nut m8 black (single)
20	SA29.V3-20	Brass cap nut
21	SA29.V3-21	O-ring
22	B/6205ZZ	Bearing 6205zz
23	SA29.V3-52	Rear plate
24	SA29.V3-24	Spring pin m5x16
25	SA29.V3-25	Cylinder
26	SA29.V3-26	Rotor

Item	Part No.	Description
27	SA29.V3-27	Vane (set of 6)
28	SA29.V3-28	Set pin
29	SA29.V3-29	Gasket, rear
30	SA29.V3-30A	Rear cover ass'y
31	SCB825.SB	Socket head cap screw m8x25 black
32	SA29.V3-32	Trigger
33	SA29.V3-33	Spring pin m4x25
34	SA29.V3-34	Spring pin m4x32
35	SA29.V3-35	Brass sleeve
36	SA29.V3-36	Plunger
37	SA29.V3-37	Spring pin m3.2 x 10
38	SA29.V3-38	Spring
39	SB-4.0	Steel ball 4.0mm
40	SA29.V3-40	Spring pin m3.2 x 14
41	SA29.V3-41	O-ring
42	SA29.V3-42	Switch
43	SA29.V3-43	Sleeve
44	SA29.V3-44	Pin
45	SA29.V3-45	O-ring
46	SA29.V3-46	Cup plug
47	SA29.V3-47	Plug
48	SA29.V3-38	Valve spring
49	SA29.V3-49	O-ring
50	SA29.V3-50	Air inlet
51	SA29.V3-51	Inlet screw
52	SA29.V3-52	Rear plate

NOTE: It is our policy to continually improve products and as such we reserve the right to alter data, specifications and component parts without prior notice.

IMPORTANT: No liability is accepted for incorrect use of product.

WARRANTY: Guarantee is 12 months from purchase date, proof of which will be required for any claim.

Sealey Group, Kempson Way, Suffolk Business Park, Bury St Edmunds, Suffolk. IP32 7AR



01284 757500



01284 703534



sales@sealey.co.uk



www.sealey.co.uk