

Item	Part No.	Description
1	SA22315.01	Complete Pump Head
2	SA22315.02	Tubed Air Tank
3	SA22315.03	Safety Valve
4	SA22315.04	Cable & Plug
5	SA2225-V3.58	Pressure Switch 15Amp 12 Bar 175psi
6	SA22315.06	Pressure Adjusting Valve
7	SA22315.07	Air Release Tube
8	SAC0610E.55	Pressure Gauge (d.50),0-200psi,Rear Fitting
9	SA22315.09	Air Cock

Item	Part No.	Description
10	SA22315.10	Elbow
11	SA22315.11	Drain Valve
12	SA22315.12	Rubber Foot
13	SA22315.13	Washer For Foot
14	RE300.K20	Bolt
15	SA22315.15	Non-Return Valve
16	SA22315.16	Nut
17	SA22315.17	Air Tube

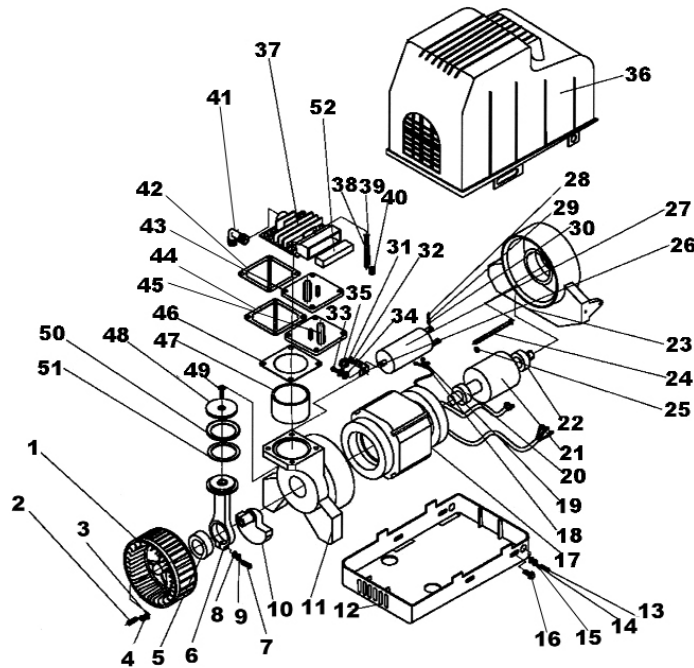
NOTE: It is our policy to continually improve products and as such we reserve the right to alter data, specifications and component parts without prior notice.

IMPORTANT: No liability is accepted for incorrect use of product.

WARRANTY: Guarantee is 12 months from purchase date, proof of which will be required for any claim.



Parts Information:
Compressor 3ltr Frame Tank 1.5hp Oil Free
Model No: SA22315



Item	Part No.	Description
1	SA22315.P01	Fan
2	MSP616.S	Machine Screw Pan Head Phillips M6x16mm (Single)
3	SA22315.P03	Washer
4	SA22315.P04	Washer
5	B/6204-2RS	Bearing 6204-2RS
6	SA22315.P06	Connecting Rod
7	SCB520.SB	Socket Head Cap Screw M5x20 Black
8	SA22315.P08	Washer
9	SA22315.P09	Washer
10	SA22315.P10	Crankshaft
11	SA22315.P11	Crankshaft Case
12	SA22315.P12	Bottom Cover
13	SA22315.P13	Phillips Bolt M5x12
14	SA22315.P14	Washer
15	SA22315.P15	Washer
16	SA22315.P16	Flange Bolt M6x17
17	SA22315.P17	Stator
18	SA22315.P18	Bolt
19	SA22315.P19	Washer
20	B/6202-2RS	Bearing 6202-2RS
21	SA22315.P21	Rotor
22	B/6204-2RS	Bearing 6204-2RS
23	SA22315.P23	Back Cover
24	SA22315.P24	Bolt M5x105
25	SA22315.P25	Washer
26	SA22315.P26	Capacitor Bracket

Item	Part No.	Description
27	SA22315.P27	Capacitor 20uf 450v50/60hz80x40
28	G1000E.V2-62	Bolt 3x5mm
29	SA22315.P29	Washer
30	SA22315.P30	Washer
31	SA22420.P23	Bolt M8x17
32	SA22315.P32	Washer
33	SA22315.P33	Bolt
34	SA22315.P34	Washer
35	SA22315.P35	Washer
36	SA22315.P36	Top Cover
37	SA22315.P37	Cylinder Head
38	SA22315.P38	Bolt M6x75
39	SA22315.P39	Washer
40	SA22315.P40	Washer
41	SA22420.P43	Elbow
42	SA22315.P42	Gasket Of Valve Plate
43	SA22315.P43	Valve Plate
44	SA22315.P44	Gasket Of Valve Plate
45	SA22315.P45	Gasket
46	SA22315.P46	Gasket Of Valve Plate
47	SA22315.P47	Cylinder
48	SA22315.P48	Piston Cover
49	SA22315.P49	Phillips Bolt M6x13
50	SA22315.P50	Piston Ring
51	SA22315.P51	Ring
52	SA22315.P52	Air Filter

NOTE: It is our policy to continually improve products and as such we reserve the right to alter data, specifications and component parts without prior notice.

IMPORTANT: No liability is accepted for incorrect use of product.

WARRANTY: Guarantee is 12 months from purchase date, proof of which will be required for any claim.

Sealey Group, Kempson Way, Suffolk Business Park, Bury St Edmunds, Suffolk. IP32 7AR



01284 757500



01284 703534



sales@sealey.co.uk



www.sealey.co.uk