

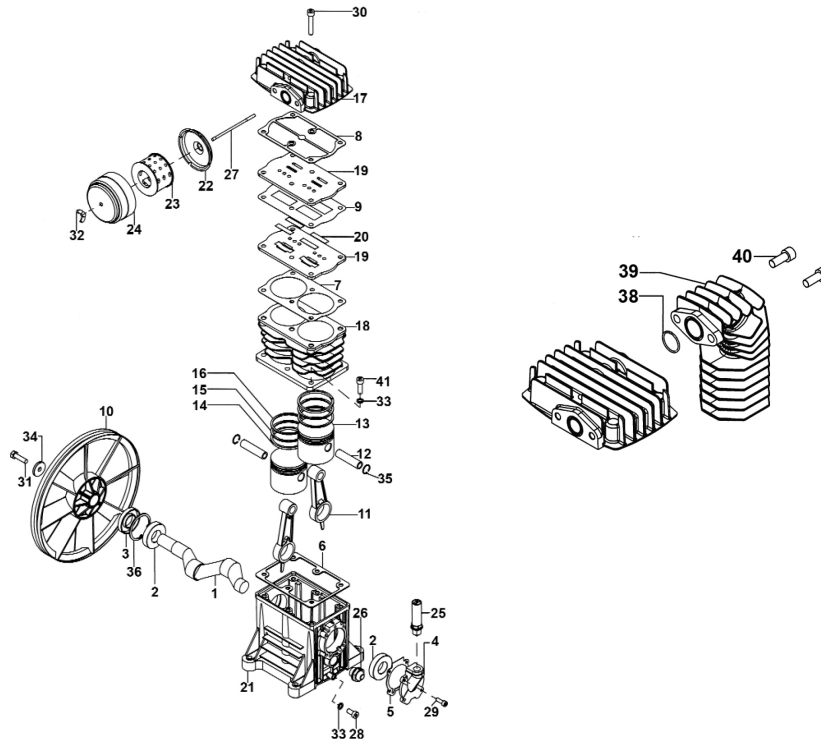
Item	Part No.	Description
1	SH11905170	Tank 270ltr
2	SH14400270	Non-return valve
3	SH16901960	2" plug
4	SH14303920	Delivery hose
5	SH1420148C	Mount plate
6	SH12201930	Control box
7	SHK1600030	Motor pump
8	V/A46	V-belt (id-1168)
9	SH12504211	Guard complete includes front and rear guard
10	SAC9076003	Motor pulley (sa21 series)
11	SH10701560B	Motor,3hp electric (emz)

Item	Part No.	Description
12	SH16901820	Reduction 2"-1/2
13	SAC9047005	Ball valve 1/2"bsp male 1/2"bsp female
14	SH15300320	Drain cock 3/8
15	SH17000770	Damping kit
16	SH12801100	New pressure switch 3/8"connect
--	SAC9063048	Pressure switch (240v/20a max 6-8bar 175psi) (NOT SHOWN)
--	SAC9050544	Plug 1/4" (NOT SHOWN)
17	SAC4100612	Gauge 300 psi 60mm od, rear fitting.
18	SH14401350	Safety valve 3/8"bsp
19	SH14400570	Valve

NOTE: It is our policy to continually improve products and as such we reserve the right to alter data, specifications and component parts without prior notice.

IMPORTANT: No liability is accepted for incorrect use of product.

WARRANTY: Guarantee is 12 months from purchase date, proof of which will be required for any claim.



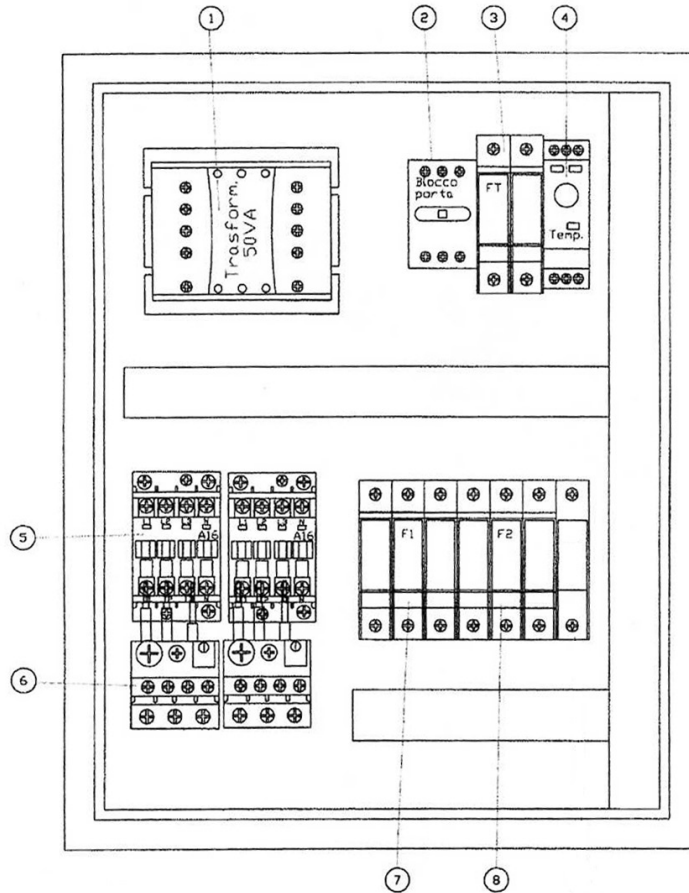
Item	Part No.	Description
1	SH3020685A	Crankshaft
2	B/6205	Bearing 6205
3	SH30307540	Oil seal
4	SH30406830	Crank end cap (oil filler)
5	SH30506870	Gasket,end cap
6	SH30501910	Gasket (older version of sh30506880)
7	SH30501930	Gasket
8	SH30501920	Gasket
9	SH30501900	Gasket
10	SH3100728A	Pump pulley 280mm
11	SH31106860	Connecting rod complete k12
12	SH31201370	Piston pin
13	SH31201360	Piston
14	SH31201350	Oil scraper ring
15	SH31201340	Scraper ring
16	SH31201330	Compression ring
17	SH31301600	Cylinder head
18	SH31601600	Cylinder
19	SH32701600	Valve plate
20	SH32700350	Valve
21	SH33101600	Crankcase

Item	Part No.	Description
22	SH35600420	Base plate ,filter
23	SH35600430	Filter cartridge k2-k24 (element)
24	SH35600440	Filter cover
25	SH36507050	Oil filler plug
26	SH36531150	Dip stick
27	SH37301410	Stud,filter mounting 115mm
28	SCB815.SB	Socket head cap screw m8x15 black
29	SH17300570	Screw
30	SH37335560	Screw
31	SH37335610	Screw
32	SN6.SW	Wing nut m6 (single)
33	SH37508130	Washer
34	SH37508090	Thick repair washer m8x34
35	SH37600230	Circlip,piston
36	SH37607530	Circlip,crank
38	SH31004680	Pulley,pump
39	SH30502510	O-ring
40	SC70190	After cooler
41	SH37302530	Skt. hd bolt m10x25
--	SCB825.SB	Socket head cap screw m8x25 black (NOT SHOWN)

NOTE: It is our policy to continually improve products and as such we reserve the right to alter data, specifications and component parts without prior notice.

IMPORTANT: No liability is accepted for incorrect use of product.

WARRANTY: Guarantee is 12 months from purchase date, proof of which will be required for any claim.



Item	Part No.	Description
	PRODUCT NAME	Column1
1	SH19201930	Transformer
2	SH19202820	Door lock
3	SH19204430	Fuse
4	SH19202470	Timer
5	SH19202860	Contactors
6	SH19202710	Thermic relay

Item	Part No.	Description
7	SH19204230	Fuse
8	SH19204000	Fuse
9	SH19202490	Switch
--	113-9413	Bulb t3.1/4 30v (NOT SHOWN)
--	SH19202830	On/off door switch (NOT SHOWN)
--	SH19205770	On/off pole (NOT SHOWN)
--	SAC9064862	Timer (NOT SHOWN)

NOTE: It is our policy to continually improve products and as such we reserve the right to alter data, specifications and component parts without prior notice.

IMPORTANT: No liability is accepted for incorrect use of product.

WARRANTY: Guarantee is 12 months from purchase date, proof of which will be required for any claim.