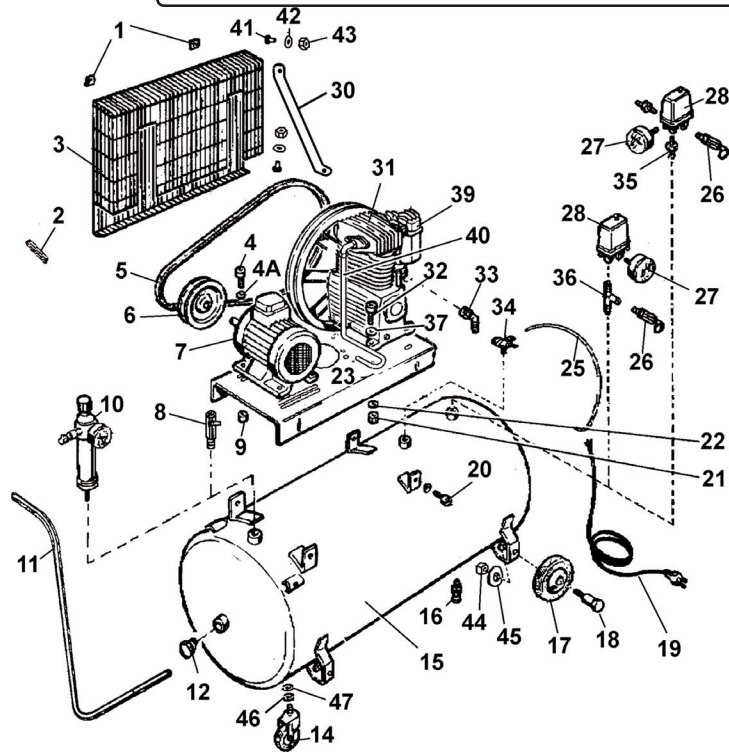


Parts Information:
**Compressor 200ltr Belt Drive 3hp with
 Cast Iron Cylinders
 Model No: SA2120/3.V2**



| Item | Part No. | Description |
|------|-------------|--|
| 1 | SH13400050 | Fixing Block (Pulley Guard) |
| 2 | SH13400020 | Anti-Vibration Bar (Short) |
| 3 | SH13400190 | Pulley Guard |
| 4 | SH17300260 | Screw |
| 4A | SH17500140 | Washer |
| 5 | V/A49 | V-Belt (ID-1250) A49 |
| 6 | SAC9076003 | Motor Pulley (SA21 Series) |
| 7 | SH10701560B | Motor,3HP Electric (EMZ) |
| 8 | SAC9047005 | Ball Valve 1/2"BSP Male 1/2"BSP Female |
| 9 | SN8.S | Steel Nut M8 Zinc Din934 (Single) |
| 10 | SH13000350 | Regulator |
| 11 | SH14200280 | Handle |
| 12 | SH16901960 | 2" Plug |
| 14 | SH13200120 | Wheel,Castor (59x10x22x93) |
| 15 | SH11903000 | Tank 200LTR |
| 16 | SH15300320 | Drain Cock 3/8 |
| 17 | SH13200060 | Wheel,Fixed (175x15x37) |
| 18 | SH13200160 | Wheel Bolt |
| 19 | SH16600350 | Mains Cable 2 Metres Long |
| 20 | SS1020.SB | Hex Head Set Screw M10x20mm Black |
| -- | SS1020.S | Hex Head Set Screw M10x20mm Single (NOT SHOWN) |
| 21 | SN8.S | Steel Nut M8 Zinc Din934 (Single) |
| 22 | SH17500090 | Washer |

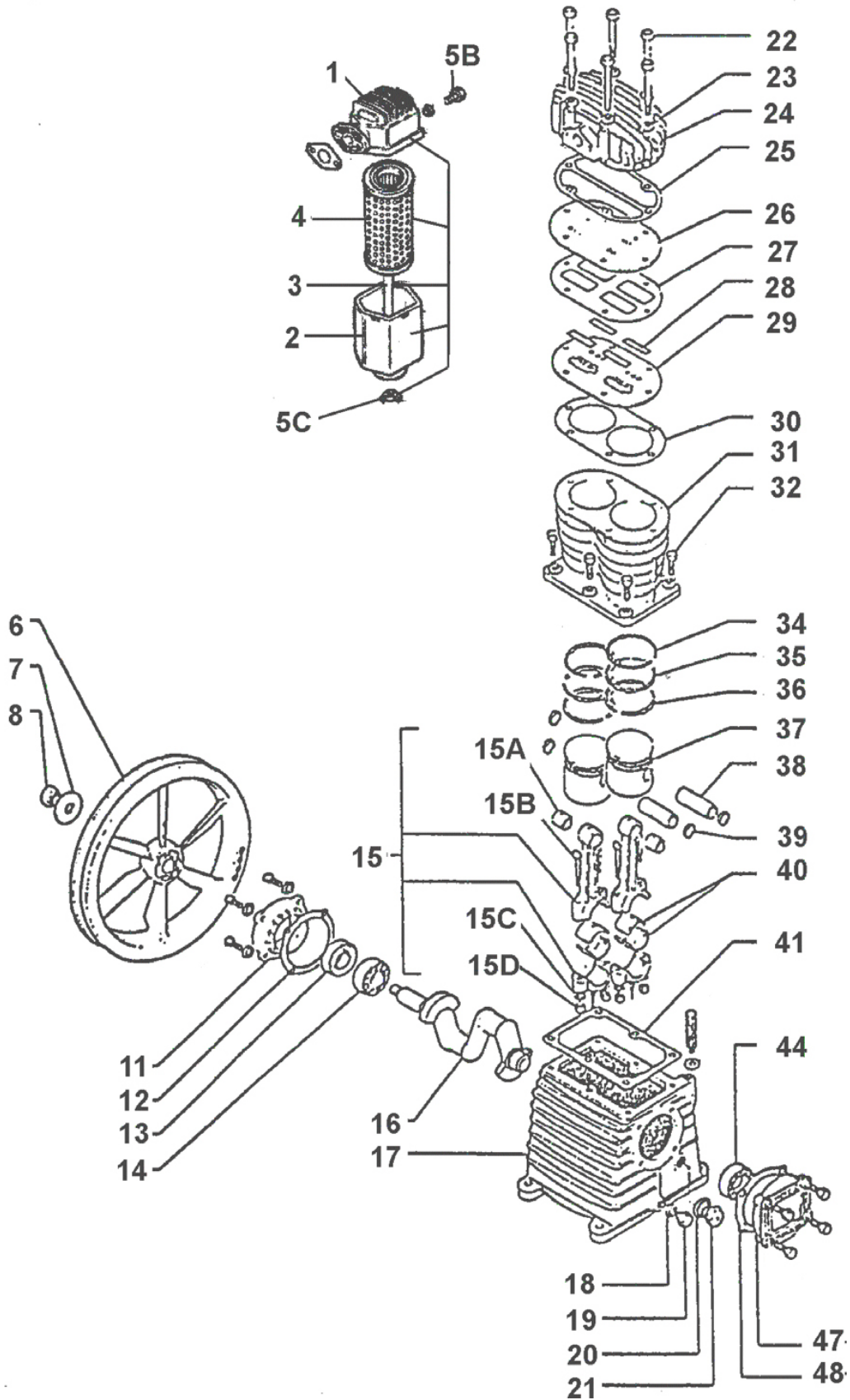
| Item | Part No. | Description |
|------|------------|--|
| 23 | SH1420148C | Mount Plate |
| 25 | SH14300980 | Air Pipe Plastic(42cm)Rilsan |
| 26 | SH14401340 | Safety Valve 1/4"BSP |
| 27 | SAC4100612 | Gauge 300 psi 60mm OD, Rear Fitting. |
| 28 | SH12801100 | New Pressure Switch 3/8"Connect |
| 26 | SAC9047048 | Ball Valve 1/4"BSP Male-1/4"BSP Female |
| 30 | SH14201450 | Belt Guard Bracket |
| 31 | SHK170790S | Pump K17 |
| 32 | SH17300260 | Screw |
| 33 | SH16900990 | Union 90o 1/2BSP |
| 34 | SH14400270 | Non-Return Valve |
| 35 | SH16902170 | Reducer 3/8" - 1/4" |
| 36 | SH16901440 | T-Piece Union |
| 37 | SH17500090 | Washer |
| 39 | SH35646460 | Air Filter Comp |
| 40 | SH14303050 | Delivery Pipe |
| 41 | SH17300230 | Bolt M8x20 |
| 42 | SH17500160 | Washer 8x24 |
| 43 | SN8.S | Steel Nut M8 Zinc Din934 (Single) |
| 44 | SN12.S | Steel Nut M12 Zinc Din934(Single) |
| 45 | SH37504110 | Washer |
| 46 | SN12.S | Steel Nut M12 Zinc Din934(Single) |
| 47 | SH17500110 | Washer |
| -- | SH13302190 | Foot (NOT SHOWN) |

NOTE: It is our policy to continually improve products and as such we reserve the right to alter data, specifications and component parts without prior notice.

IMPORTANT: No liability is accepted for incorrect use of product.

WARRANTY: Guarantee is 12 months from purchase date, proof of which will be required for any claim.

Parts Information:
**Compressor 200ltr Belt Drive 3hp with
 Cast Iron Cylinders
 Model No: SA2120/3.V2**



NOTE: It is our policy to continually improve products and as such we reserve the right to alter data, specifications and component parts without prior notice.

IMPORTANT: No liability is accepted for incorrect use of product.

WARRANTY: Guarantee is 12 months from purchase date, proof of which will be required for any claim.



Parts Information:
**Compressor 200ltr Belt Drive 3hp with
 Cast Iron Cylinders
 Model No: SA2120/3.V2**

| Item | Part No. | Description |
|------|------------|------------------------------------|
| 1 | SH35602950 | Filter cover |
| 2 | SH35602930 | Filter casing |
| 3 | SH37305190 | Tension rod |
| 4 | SH35602940 | Cartridge , air filter refill |
| 5B | SS1020.SB | Hex head set screw m10x20mm black |
| 5C | SN6.SW | Wing nut m6 (single) |
| 6 | SH31004680 | Pulley,pump |
| 7 | SH37400720 | Nut,pulley/crankshaft |
| 8 | SH37500730 | Thick washer, pulley |
| 11 | SH30400890 | Crank support cap |
| 12 | SH30500150 | Gasket,crank end cap |
| 13 | SH30300040 | Oil seal |
| 14 | B/6205 | Bearing 6205 |
| 15 | SH31100750 | Con' rod assembly |
| 15A | SH31100240 | Bush, little end |
| 15B | SH37300250 | Bolt,con'rod |
| 15C | SH37500310 | Washer,con'rod |
| 15D | SH37400220 | Nut,con'rod |
| 16 | SH30201000 | Crank shaft (k17) |
| 17 | SH33101160 | Crankcase |
| 18 | SH30500160 | Gasket,oil drain |
| 19 | SH36500110 | Oil drain bolt |
| 20 | SH30500130 | Gasket |
| 21 | SH36500140 | Oil view glass |
| 22 | HHB860.SB | Hex head bolt m8x60mm single black |
| 23 | SH37500400 | Washer, cylinder head |
| 24 | SH31301170 | Cylinder head |
| 25 | SH30501090 | Gasket,head k17 |

| Item | Part No. | Description |
|------|------------|--|
| 26 | SH32701030 | Valve plate k17 |
| 27 | SH30501100 | Gasket. plate k17 |
| 28 | SH32700350 | Valve |
| 29 | SH32701030 | Valve plate k17 |
| 30 | SH30501110 | Gasket,cylinder/valve plate |
| 31 | SH31601010 | Cylinder |
| 32 | SS825.SB | Hex head set screw m8x25mm single black |
| 34 | SH31200300 | Piston ring-top |
| 35 | SH31200290 | Piston ring-centre |
| 36 | SH31200280 | Piston ring-base |
| 37 | SH31200270 | Piston |
| 38 | SH31200260 | Gudgeon pin |
| 39 | SH37600230 | Circlip,piston |
| 40 | SH31100210 | Shell bearing ,big end |
| 41 | SH30501120 | Base gasket |
| 44 | B/6205 | Bearing 6205 |
| 47 | SH30400830 | Crank support end cap |
| 48 | SH30500150 | Gasket,crank end cap |
| -- | SH35600420 | Base plate ,filter (NOT SHOWN) |
| -- | SH35600430 | Filter cartridge k2-k24 (element) (NOT SHOWN) |
| -- | SH35600440 | Filter cover (NOT SHOWN) |
| -- | SH36507050 | Oil filler plug (NOT SHOWN) |
| -- | SH36531140 | Oil plug + gasket (NOT SHOWN) |
| -- | SH36531150 | Dip stick (NOT SHOWN) |
| -- | SH37301410 | Stud,filter mounting 115mm (NOT SHOWN) |
| -- | SH37508130 | Washer (NOT SHOWN) |
| -- | SS1020.S | Hex head set screw m10x20mm single (NOT SHOWN) |

NOTE: It is our policy to continually improve products and as such we reserve the right to alter data, specifications and component parts without prior notice.

IMPORTANT: No liability is accepted for incorrect use of product.

WARRANTY: Guarantee is 12 months from purchase date, proof of which will be required for any claim.

Sealey Group, Kempson Way, Suffolk Business Park, Bury St Edmunds, Suffolk. IP32 7AR



01284 757500



01284 703534



sales@sealey.co.uk



www.sealey.co.uk