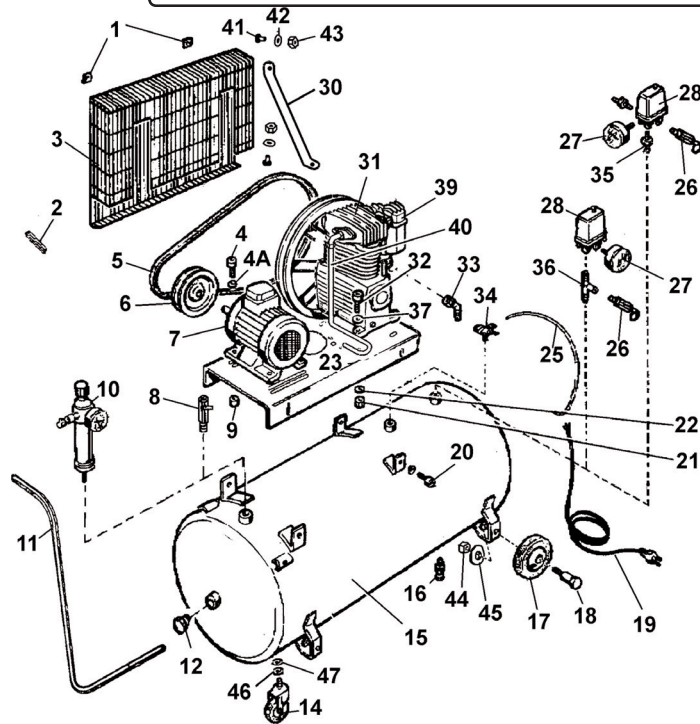




Parts Information:
Compressor 150ltr Belt Drive 3hp with Cast Iron Cylinders
Model No: SA2115/3.V2



Item	Part No.	Description
1	SH13400050	Fixing Block (Pulley Guard)
2	SH13400020	Anti-Vibration Bar (Short)
3	SH13400190	Pulley Guard
4	SH17300260	Screw
4A	SH17500140	Washer
5	V/A49	V-Belt (ID-1250) A49
6	SAC9076003	Motor Pulley (SA21 Series)
7	SH10701560B	Motor,3HP Electric (EMZ)
8	SAC9047005	Ball Valve 1/2"BSP Male 1/2"BSP Female
9	SN8.S	Steel Nut M8 Zinc Din934 (Single)
10	SH13000350	Regulator
11	SH14200280	Handle
12	SH16901960	2" Plug
14	SH13200120	Wheel,Castor (59x10x22x93)
15	SH11902990	Tank 150LTR
16	SH15300320	Drain Cock 3/8
17	SH13200060	Wheel,Fixed (175x15x37)
18	SH13200160	Wheel Bolt
19	SH16600350	Mains Cable 2 Metres Long
20	SS1020.SB	Hex Head Set Screw M10x20mm Black
--	SS1020.S	Hex Head Set Screw M10x20mm Single (NOT SHOWN)
21	SN8.S	Steel Nut M8 Zinc Din934 (Single)
22	SH17500090	Washer
23	SH1420148C	Mount Plate

Item	Part No.	Description
25	SH14300980	Air Pipe Plastic(42cm)Rilsan
26	SH14401340	Safety Valve 1/4"BSP
27	SAC4100612	Gauge 300 psi 60mm OD, Rear Fitting.
28	SH12801100	New Pressure Switch 3/8"Connect
--	SAC9063048	Pressure Switch (240V/20A Max 6-8Bar 175psi) (NOT SHOWN)
--	SAC9050544	Plug 1/4" (NOT SHOWN)
26	SAC9047048	Ball Valve 1/4"BSP Male-1/4"BSP Female
30	SH14201450	Belt Guard Bracket
31	SHK170790S	Pump k17
32	SH17300260	Screw
33	SH16900990	Union 90o 1/2BSP
34	SH14400270	Non-Return Valve
35	SH16902170	Reducer 3/8" - 1/4"
36	SH16901440	T-Piece Union
37	SH17500090	Washer
39	SH35646460	Air Filter Comp
40	SH14303050	Delivery Pipe
41	SH17300230	Bolt M8x20
42	SH17500160	Washer 8x24
43	SN8.S	Steel Nut M8 Zinc Din934 (Single)
44	SN12.S	Steel Nut M12 Zinc Din934(Single)
45	SH37504110	Washer
46	SN12.S	Steel Nut M12 Zinc Din934(Single)
47	SH17500110	Washer

NOTE: It is our policy to continually improve products and as such we reserve the right to alter data, specifications and component parts without prior notice.

IMPORTANT: No liability is accepted for incorrect use of product.

WARRANTY: Guarantee is 12 months from purchase date, proof of which will be required for any claim.

Sealey Group, Kempson Way, Suffolk Business Park, Bury St Edmunds, Suffolk. IP32 7AR



01284 757500



01284 703534

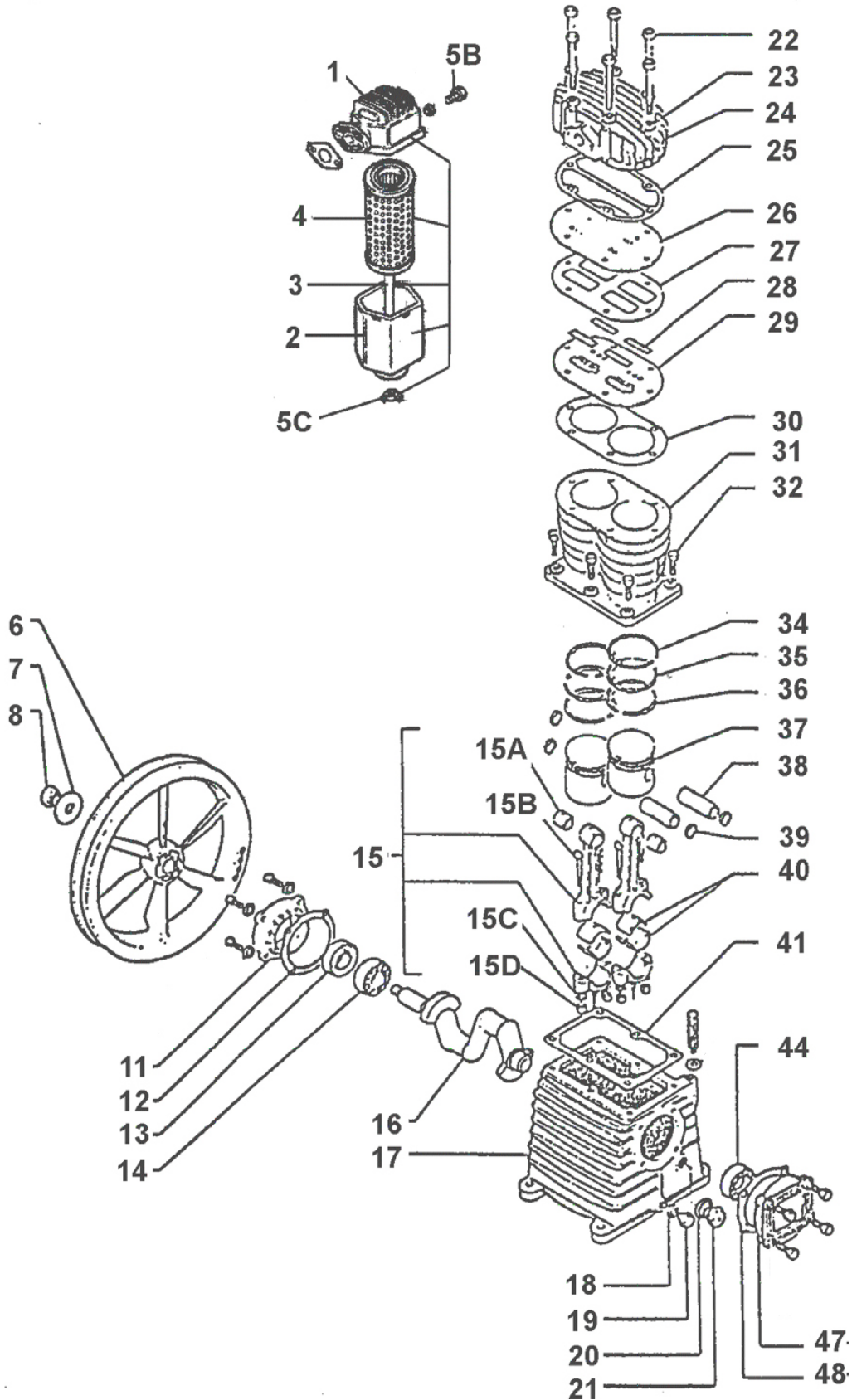


sales@sealey.co.uk



www.sealey.co.uk

Parts Information:
Compressor 150ltr Belt Drive 3hp with Cast Iron Cylinders
Model No: SA2115/3.V2



NOTE: It is our policy to continually improve products and as such we reserve the right to alter data, specifications and component parts without prior notice.

IMPORTANT: No liability is accepted for incorrect use of product.

WARRANTY: Guarantee is 12 months from purchase date, proof of which will be required for any claim.



Parts Information:
Compressor 150ltr Belt Drive 3hp with Cast Iron Cylinders
Model No: SA2115/3.V2

Item	Part No.	Description
1	SH35602950	Filter Cover
2	SH35602930	Filter Casing
3	SH37305190	Tension Rod
4	SH35602940	Cartridge , Air Filter Refill
5B	SS1020.SB	Hex Head Set Screw M10x20mm Black
5C	SN6.SW	Wing Nut M6 (Single)
6	SH31004680	Pulley,Pump
7	SH37400720	Nut,Pulley/Crankshaft
8	SH37500730	Thick Washer, Pulley
11	SH30400890	Crank Support Cap
12	SH30500150	Gasket,Crank End Cap
13	SH30300040	Oil Seal
14	B/6205	Bearing 6205
15	SH31100750	Con' Rod Assembly
15A	SH31100240	Bush, Little End
15B	SH37300250	Bolt,Con'Rod
15C	SH37500310	Washer,Con'Rod
15D	SH37400220	Nut,Con'Rod
16	SH30201000	Crank Shaft (K17)
17	SH33101160	Crankcase
18	SH30500160	Gasket,Oil Drain
19	SH36500110	Oil Drain Bolt
20	SH30500130	Gasket
21	SH36500140	Oil View Glass
22	HHB860.SB	Hex Head Bolt M8x60mm Single Black
23	SH37500400	Washer, Cylinder Head
24	SH31301170	Cylinder Head

Item	Part No.	Description
25	SH30501090	Gasket,Head K17
26	SH32701030	Valve Plate K17
27	SH30501100	Gasket. Plate K17
28	SH32700350	Valve
29	SH32701030	Valve Plate K17
30	SH30501110	Gasket,Cylinder/Valve Plate
31	SH31601010	Cylinder
32	SS825.SB	Hex Head Set Screw M8x25mm Single Black
34	SH31200300	Piston Ring-Top
35	SH31200290	Piston Ring-Centre
36	SH31200280	Piston Ring-Base
37	SH31200270	Piston
38	SH31200260	Gudgeon Pin
39	SH37600230	Circlip,Piston
40	SH31100210	Shell Bearing ,Big End
41	SH30501120	Base Gasket
44	B/6205	Bearing 6205
47	SH30400830	Crank Support End Cap
48	SH30500150	Gasket,Crank End Cap
--	SH35600420	Base Plate ,Filter (NOT SHOWN)
--	SH35600430	Filter Cartridge K2-K24 (Element) (NOT SHOWN)
--	SH35600440	Filter Cover (NOT SHOWN)
--	SH36507050	Oil Filler Plug (NOT SHOWN)
--	SH36531140	Oil Plug + Gasket (NOT SHOWN)
--	SH36531150	Dip Stick (NOT SHOWN)
--	SH37301410	Stud,Filter Mounting 115mm (NOT SHOWN)
--	SH37508130	Washer (NOT SHOWN)

NOTE: It is our policy to continually improve products and as such we reserve the right to alter data, specifications and component parts without prior notice.

IMPORTANT: No liability is accepted for incorrect use of product.

WARRANTY: Guarantee is 12 months from purchase date, proof of which will be required for any claim.

Sealey Group, Kempson Way, Suffolk Business Park, Bury St Edmunds, Suffolk. IP32 7AR



01284 757500



01284 703534



sales@sealey.co.uk



www.sealey.co.uk