

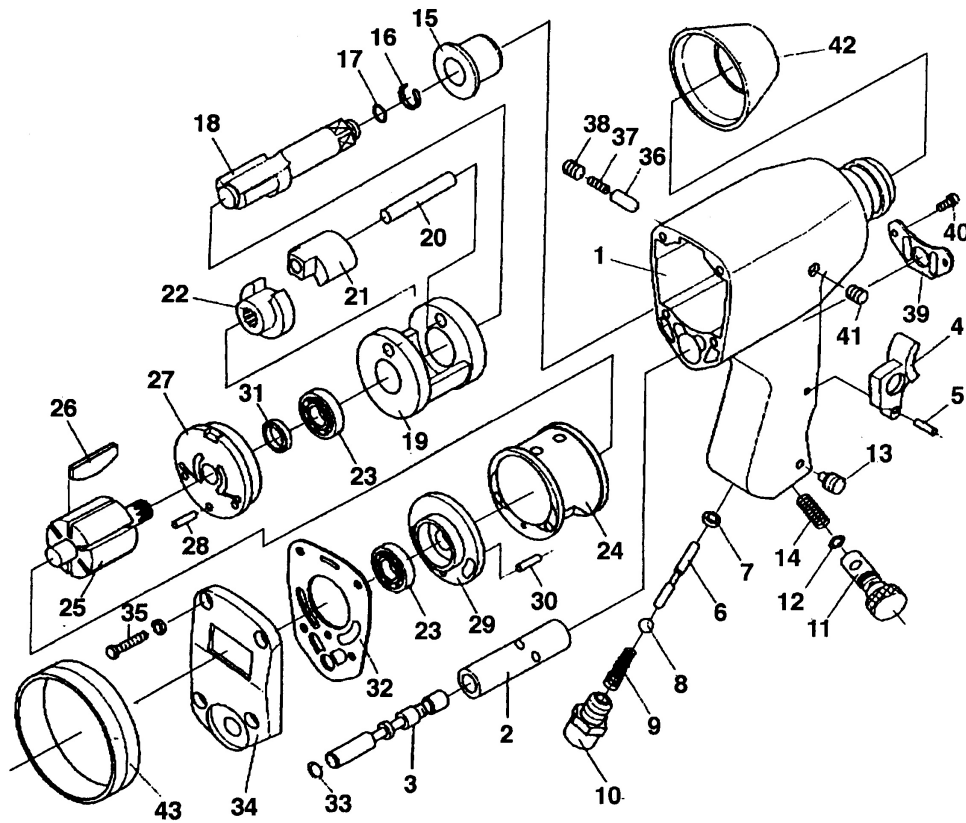
Item	Part No.	Description
	<b>SA21/S</b>	<b>Air Ratchet Wrench 1/2\"Sq Drive</b>
1	SA20/S-01	Housing
2	SA20/S-02	Air Inlet
4	SA20/S-04	Trigger
5	SA20/S-05	Pin
6	SA20/S-06	Valve Stem
7	SA20/S-07	O-Ring
8	SA20/S-08	Spring
9	SA20/S-09	Valve Plug
10	SA20/S-10	Bevelled Seal Ring
11	SA20/S-11	O-Ring
12	SA20/S-12	Thread Ring Gear
13	SA20/S-13	Cap
14	SA20/S-14	Gear
15	SA20/S-15	Pin
16	SA20/S-16	Gear Plate
17	SA20/S-17	Crank Shaft
18	SA21/S-18	Ratchet Anvil
19	SA20/S-19	Ratchet Housing
20	SA20/S-20	Bushing
21	B/HK1212	Needle Bearing HK1212

Item	Part No.	Description
22	SA20/S-22	Drive Bushing
23	SA20/S-23	Ratchet Yoke
24	SA20/S-24	Cylinder
25	SA20/S-25	Rotor
26	SA20/S-26	Rotor Blade
27	SA20/S-27	Front Plate
28	B/608ZZ	Bearing 608ZZ
29	SA20/S-29	End Plate
30	B/626ZZ	Bearing 626ZZ
31	SA20/S-31	Pin
32	SA21/S-32	Spacer
34	SA20/S-34	Spring
35	SA20/S-35	Lock Pin
36	SA20/S-36	Ratchet Pawl
37	SA20/S-37	Pin
38	SA20/S-38	Reverse Button
39	SA20/S-39	Retainer Ring
40	SA20/S-40	Spring
41	SB-4.0	Steel Ball 4.0mm
42	SA20/S-42	Seal Ring

**NOTE:** It is our policy to continually improve products and as such we reserve the right to alter data, specifications and component parts without prior notice.

**IMPORTANT:** No liability is accepted for incorrect use of product.

**WARRANTY:** Guarantee is 12 months from purchase date, proof of which will be required for any claim.



Item	Part No.	Description
	<b>SA2</b>	<b>Air Impact Wrench 1/2\"Sq Drive</b>
1	SA2/01	Housing
2	SA2/02	Sleeve, Valve
3	SA2/03	Valve, Reverse
4	SA2/04	Trigger
5	SA2/05	Spring Pin m3x14
6	SA2/06	Stem, Valve
7	SA2/07	Bushing
8	SB-9.5	Steel Ball 9.5mm
9	SA2/09	Spring
10	SA2/10	Adaptor, Hose
11	SA2/11	Regulator, Air
12	SA2/17	O-Ring
13	SA2/13	Screw, Set
14	SA2/14	Spring
15	SA2/15	Bushing, Anvil
16	SA3S/18	Anvil Collar 1/2\" x 2.0mm
17	SA2/17	O-Ring
18	SA2/18	Anvil
19	SA2/19	Cage, Hammer
20	SA2/20	Pin, Hammer
21	SA2/21	Dog, Hammer

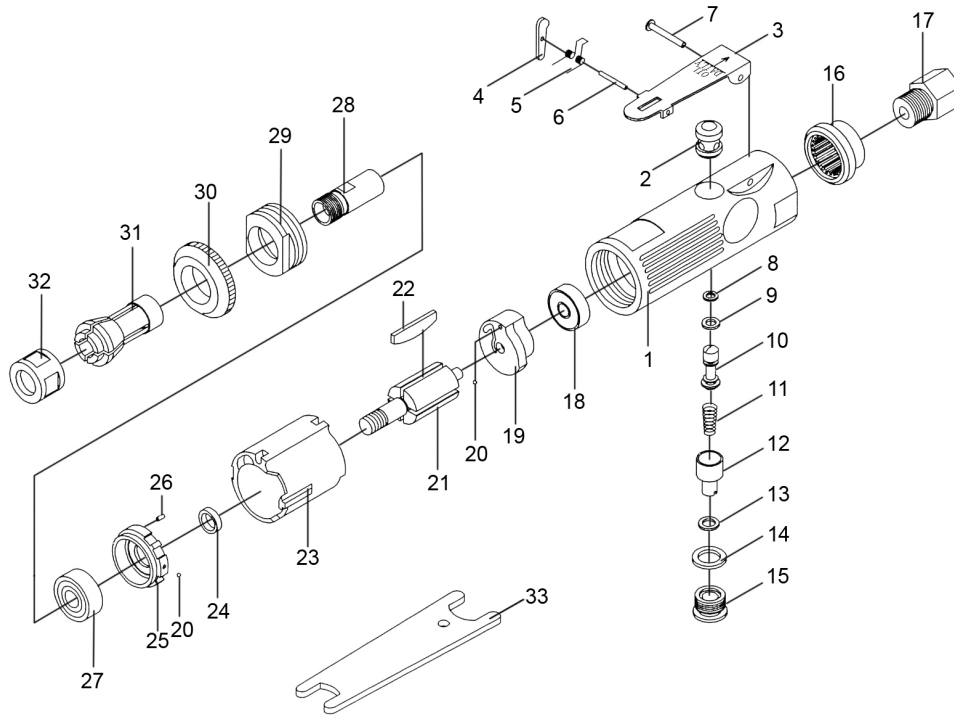
Item	Part No.	Description
22	SA2/22	Cam, Drive
23	B/6001	Bearing 6001
24	SA2/24	Cylinder
25	SA2/25	Rotor
26	SA3S/28	Rotor Blade
27	SA2/27	Plate, Front End
28	SA2/28	Pin, Spring
29	SA2/29	Plate, Rear End
30	SA2/30	Pin, Spring
31	SA2/31	Seal, Oil
32	SA2/32	Gasket, Rear
33	SA2/33	O-Ring
34	SA2/34	Cover, Rear
35	SCB518.SB	Socket Head Cap Screw m5x18 Black
36	SA2/36	Pin
37	SA2/37	Spring
38	GSM55.S	Grub Screw m5x5 (Single)
39	SA2/39	Deflector
40	SA2/40	Screw
41	SA2/41	Screw, Set
42	SA2/42	Rubber, Protecting
43	SA3S/39	Protecting Rubber

**NOTE:** It is our policy to continually improve products and as such we reserve the right to alter data, specifications and component parts without prior notice.

**IMPORTANT:** No liability is accepted for incorrect use of product.

**WARRANTY:** Guarantee is 12 months from purchase date, proof of which will be required for any claim.

## Parts Information: Air Tool Kit 4pc with Accessories Model No: SA2004KIT



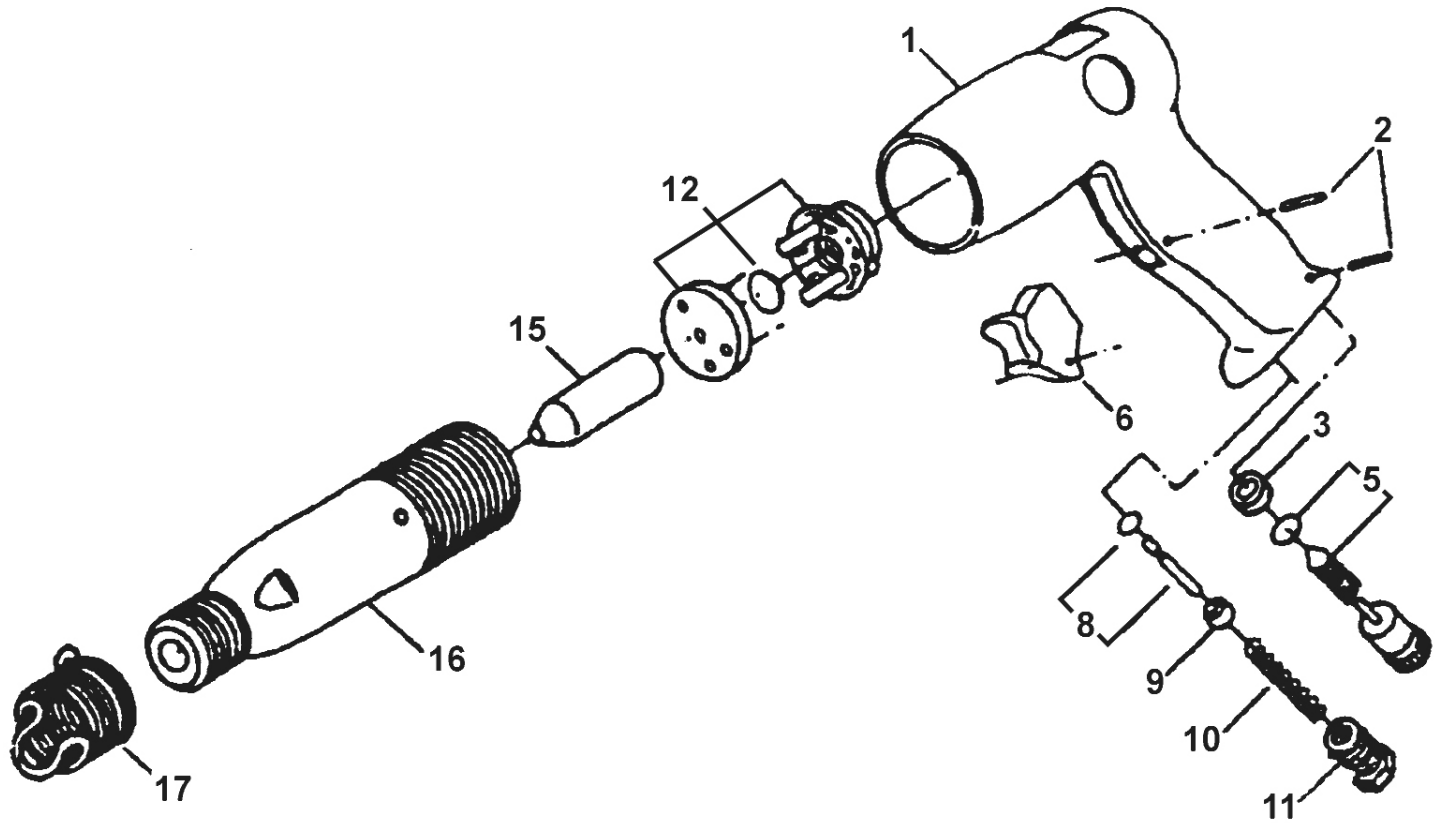
Item	Part No.	Description
	<b>SA67</b>	<b>Air Die Grinder Kit 13PC</b>
1	SA671.V3-01	Housing
2	SA671.V3-02	Valve Bushing
3 - 6	SA671.V3-03	Trigger Ass'y (Parts 3-6)
7	SA671.V3-07	Pin
8	SA671.V3-08	O-Ring
9	SA671.V3-09	O-Ring
10	SA671.V3-10	Valve Stem
11	SA671.V3-11	Spring
12	SA671.V3-12	Air Regulator
13	SA671.V3-13	O-Ring
14	SA671.V3-14	O-Ring
15	SA671.V3-15	Valve Plug
16	SA671.V3-16	Muffle Cover
17	SA671.V3-17	Air Inlet
18	B/626ZZ	Bearing 626ZZ
19	SA671.V3-19	End Plate
20	SB-2.5	Steel Ball 2.5mm
21	SA671.V3-21	Rotor
22	SA671.V3-22	Rotor Blade
23	SA671.V3-23	Cylinder
24	SA671.V3-24	Bushing
25	SA671.V3-25	Front Plate
26	SA671.V3-26	Pin

Item	Part No.	Description
27	B/6000ZZ	Bearing 6000ZZ
28	SA671.V3-28	Collet Holder
29	SA671.V3-29	Retainer
30	SA671.V3-30	Housing Cap
31	SA671.V3-31	Collet
32	SA671.V3-32	Collet Nut
33	SA671.V3-33	Wrench
--	SA67/W01	Mounted Wheel 10 x 25mm 60P 6mm Shank (NOT SHOWN)
--	SA67/W02	Mounted Wheel 20 x 20mm 60P 6mm Shank (NOT SHOWN)
--	SA67/W03	Mounted Wheel 25 x 22mm 46P 6mm Shank (NOT SHOWN)
--	SA67/W04	Mounted Wheel 25 x 10mm 46P 6mm Shank (NOT SHOWN)
--	SA67/W05	Mounted Wheel 20 x 26mm 46P 6mm Shank (NOT SHOWN)
--	SA67/W06	Mounted Wheel 20 x 25mm 60P 6mm Shank (NOT SHOWN)
--	SA67/W07	Mounted Wheel 25 x 25mm 46P 6mm Shank (NOT SHOWN)
--	SA67/W08	Mounted Wheel 16 x 26mm 60P 6mm Shank (NOT SHOWN)
--	SA67/W09	Mounted Wheel 25 x 25mm 46P 6mm Shank (NOT SHOWN)
--	SA67/W10	Mounted Wheel 25 x 25mm 46P 6mm Shank (NOT SHOWN)

**NOTE:** It is our policy to continually improve products and as such we reserve the right to alter data, specifications and component parts without prior notice.

**IMPORTANT:** No liability is accepted for incorrect use of product.

**WARRANTY:** Guarantee is 12 months from purchase date, proof of which will be required for any claim.



Item	Part No.	Description
	<b>SA12/S</b>	<b>Air Hammer With Chisels Medium Stroke</b>
1	SA12R/01	Handle
2	SA12R/02	Pin
3	SA12R/03	Seat
5	SA12R/05	Regulator & O Ring
6	SA12R/06	Trigger
8	SA12R/08	Pin & O Ring
9	SA12R/09	Seat, Pin

Item	Part No.	Description
10	SA12R/10	Spring, Throttle
11	SA12R/11	Adaptor Hose
12	SA12R/VA	Valve Assembly Part Nos 12-14
15	SA12R/15	Piston
16	SA12R/16	Cylinder
17	SA11R/17	Retaining Spring For Air Hammer
--	SA12S.C	5PC Chisel Kit (NOT SHOWN)

**NOTE:** It is our policy to continually improve products and as such we reserve the right to alter data, specifications and component parts without prior notice.

**IMPORTANT:** No liability is accepted for incorrect use of product.

**WARRANTY:** Guarantee is 12 months from purchase date, proof of which will be required for any claim.