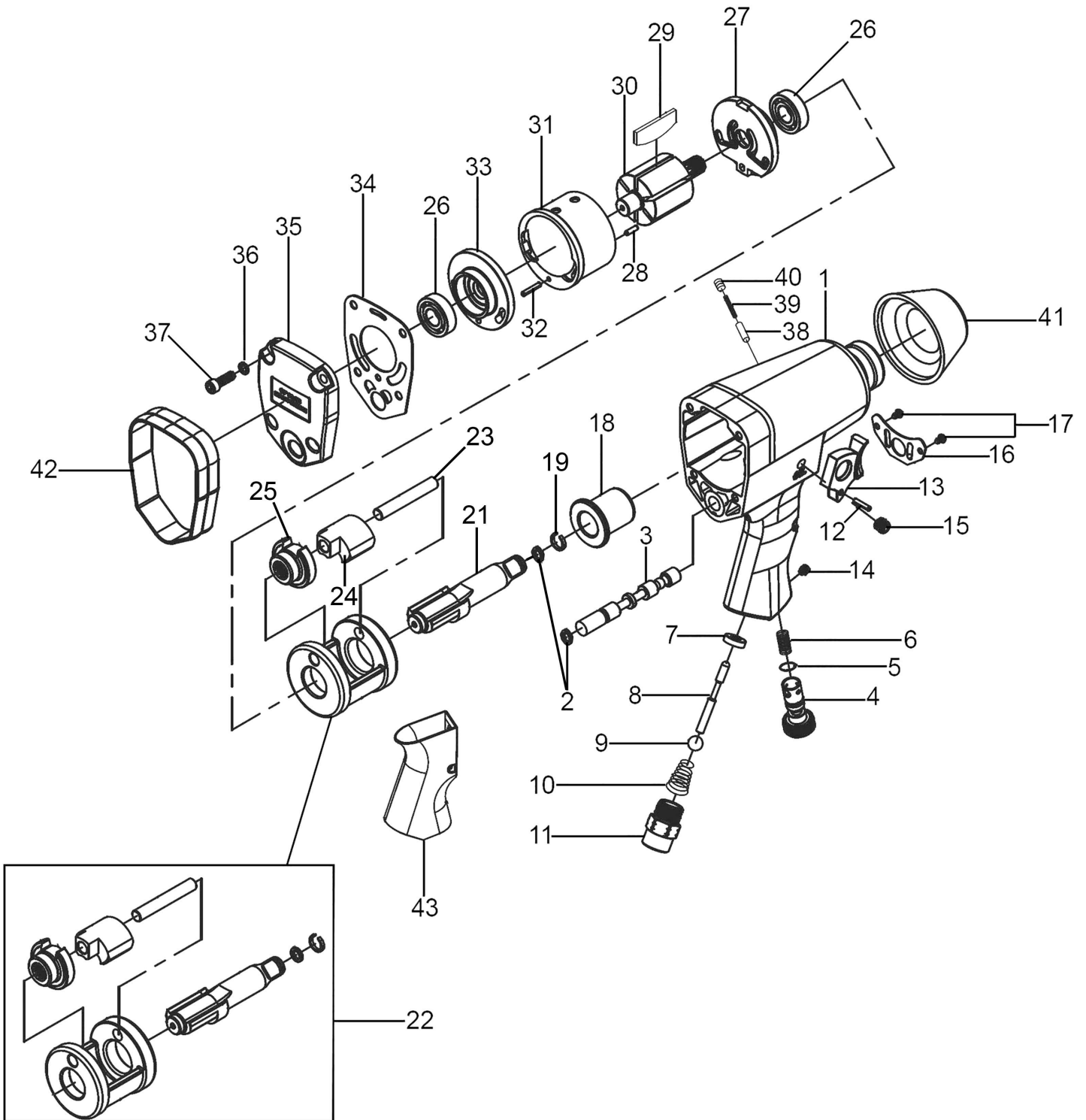




Parts Information:  
**Air Impact Wrench Kit with Sockets 1/2" Sq Drive**  
**Model No: SA2/TS.V2**



**NOTE:** It is our policy to continually improve products and as such we reserve the right to alter data, specifications and component parts without prior notice. There may be alternative versions of this product, please contact us should you require this information.

**IMPORTANT:** No liability is accepted for incorrect use of product. Spare parts must be fitted by a competent person

**WARRANTY:** Guarantee is 12 months from purchase date, proof of which will be required for any claim.

Sealey Group, Kempson Way, Suffolk Business Park, Bury St Edmunds, Suffolk. IP32 7AR



01284 757500



sales@sealey.co.uk



www.sealey.co.uk



Parts Information:  
**Air Impact Wrench Kit with Sockets 1/2" Sq Drive**  
**Model No: SA2/TS.V2**

Item	Part No.	Description
1	SA2.V2-01	Housing
2	SA802.23	O-Ring (9.63 x 6.07 x 1.78mm)
3	SA2.V2-03	Reversal Regulator
4	SA2.V2-04	Flow Regulator
5	SA2.V2-05	O-Ring (8 x 2mm)
6	SA2.V2-06	Regulator Spring Ø9.5mm
7	SA2.V2-07	Bushing
8	SA2.V2-08	Pin
9	SB-9.5	Steel Ball 9.5mm
10	SA2.V2-10	Taper Spring Ø11.4mm
11	SA2.V2-11	Air Inlet Connector
12	SA2/05	Spring Pin M3 x 14mm
13	SA2.V2-13	Trigger
14	SA2.V2-14	Screw M5 x 8mm
15	SA2.V2-15	Screw M8 x 6mm
16	SA2.V2-16	Disc Cover
17	SA2.V2-17	Screw ST3.2 x 6mm
18	SA2.V2-18	Oil Bushing
19	SA2.V2-19	Retainer
21	SA2.V2-21	Drive Shaft
22	SA2.V2-22	Hammer Cage Assembly (c/w Parts 2, 19, 21, 23, 24 & 25)
23	SA2.V2-23	Hammer Pin
24	SA2.V2-24	Hammer Dog
25	SA2.V2-25	Drive Cam
26	B/6001ZZ	Bearing 6001ZZ
27	SA2.V2-27	Front End Plate
28	SA2.V2-28	Straight Pin (3 x 10mm)
29	SA2.V2-29	Rotor Blade
30	SA2.V2-30	Rotor

Item	Part No.	Description
31	SA2.V2-31	Cylinder
32	SA2.V2-32	Straight Pin (3 x 16mm)
33	SA2.V2-33	Rear End Plate
34	SA2.V2-34	Rear Gasket
35	SA2.V2-35	Real Cover
36	SA2.V2-36	Spring Washer
37	SA2.V2-37	Screw M5 x 16mm
38	SA2.V2-38	Pin
39	SA2.V2-39	Spring Ø2.5mm
40	SA2.V2-40	Screw M5 x 6mm
41	SA2.V2-41	Protection Sleeve (Front)
42	SA2.V2-42	Protection Sleeve (Rear)
43	SA2.V2-43	Handle Grip
		<b>Accessories Not Shown</b>
--	SA2002KIT.S09	9mm Impact Socket Chrome Vanadium 1/2" dr.
--	SA2002KIT.S10	10mm Impact Socket Chrome Vanadium 1/2"dr.
--	SA2002KIT.S11	11mm Impact Socket Chrome Vanadium 1/2"dr.
--	SA2002KIT.S13	13mm Impact Socket Chrome Vanadium 1/2"dr.
--	SA2002KIT.S14	14mm Impact Socket Chrome Vanadium 1/2"dr.
--	SA2002KIT.S17	17mm Impact Socket Chrome Vanadium 1/2"dr.
--	SA2002KIT.S19	19mm Impact Socket Chrome Vanadium 1/2"dr.
--	SA2002KIT.S24	24mm Impact Socket Chrome Vanadium 1/2"dr.
--	SA2002KIT.S27	27mm Impact Socket Chrome Vanadium 1/2"dr.
--	AK55012	Impact Extension Bar 125mm 1/2" Sq Drive <b>(Please See Catalogue)</b>
--	SA2-TS.V2-ACC01	Hex Key 4mm
--	SA2-TS.V2-ACC02	Oil Pot
--	SA2-TS.V2-ACC03	In-Line Air Oiler
--	SA2-TS.V2-ACC04	Air Coupling Adaptor

**NOTE:** It is our policy to continually improve products and as such we reserve the right to alter data, specifications and component parts without prior notice. There may be alternative versions of this product, please contact us should you require this information.

**IMPORTANT:** No liability is accepted for incorrect use of product. Spare parts must be fitted by a competent person

**WARRANTY:** Guarantee is 12 months from purchase date, proof of which will be required for any claim.

**Sealey Group**, Kempson Way, Suffolk Business Park, Bury St Edmunds, Suffolk. IP32 7AR



01284 757500



sales@sealey.co.uk



www.sealey.co.uk