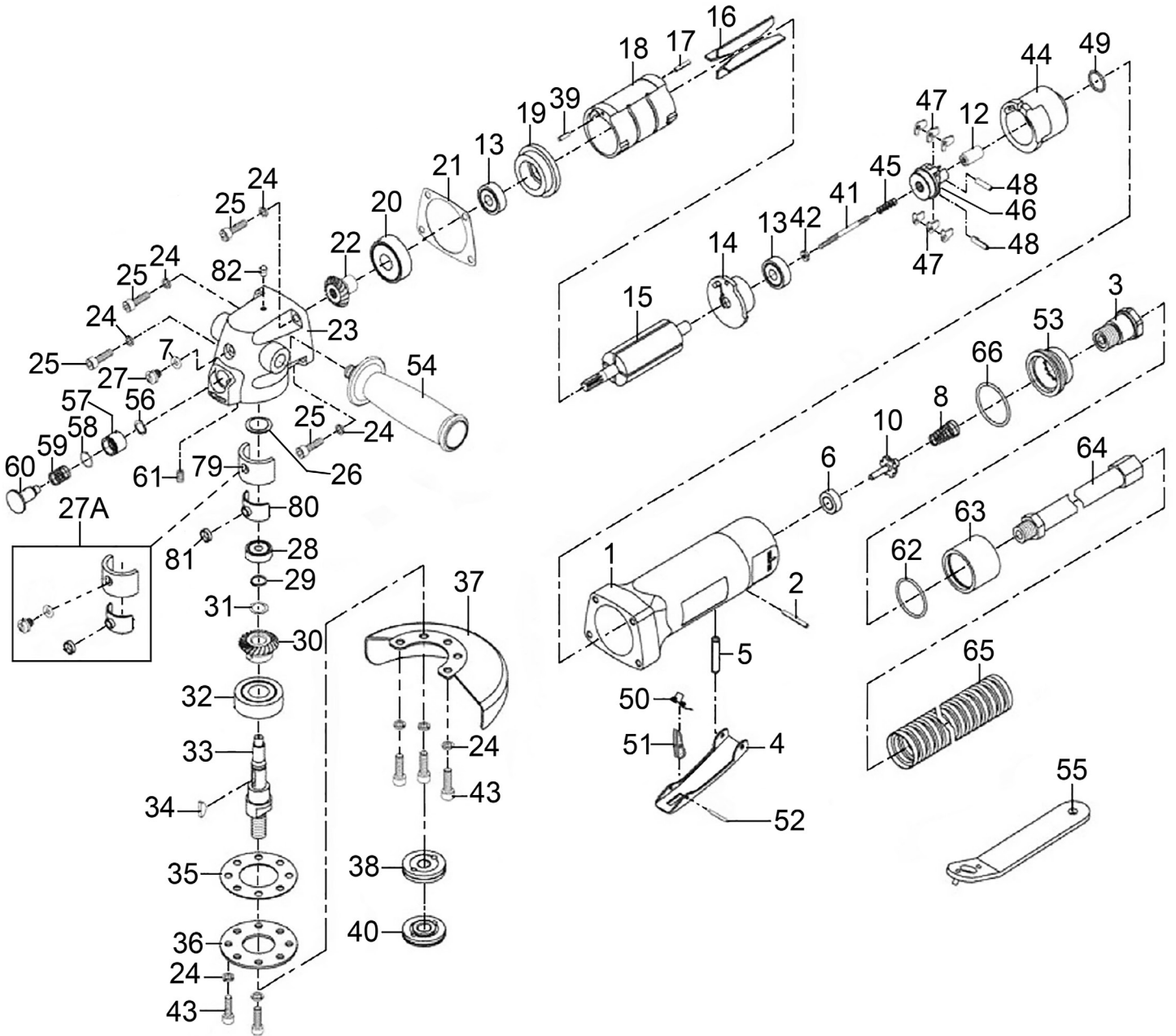


Parts Information:  
**Premier Composite Air Angle Grinder**  
**100mm**  
**Model No: SA152.V2**



Item	Part No.	Description
1	SA152.01	Motor Housing
2	SA152.02	Spring Pin
3	SA152.03	Air Inlet
4	SA152.04	Throttle Lever
5	SA152.05	Pin
6	SA152.06A	Rubber Spacer
7	SA152.07	O-Ring
8	SA152.08	Spring, Conical

Item	Part No.	Description
10	SA152.10	Valve Stem
12	SA152.12	Plunger
13	B/608ZZ	Bearing 608ZZ
14	SA152.14	Rear Plate
15	SA152.15	Rotor
16	SA152.16	Rotor Blade
17	SA152.17	Spring Pin
18	SA152.18	Cylinder

**NOTE:** It is our policy to continually improve products and as such we reserve the right to alter data, specifications and component parts without prior notice. There may be alternative versions of this product, please contact us should you require this information.

**IMPORTANT:** No liability is accepted for incorrect use of product. Spare parts must be fitted by a competent person

**WARRANTY:** Guarantee is 12 months from purchase date, proof of which will be required for any claim.



Parts Information:  
**Premier Composite Air Angle Grinder  
100mm  
Model No: SA152.V2**

Item	Part No.	Description
19	SA152.19	Front End Plate
20	B/6201Z	Bearing 6201Z
21	SA152.21	Gasket
22	SA152.22	Bevel Gear
23	SA152.V2-23	Gear Housing
24	SA152.24	Spring Washer
25	SA152.25	Screw
26	SA152.26	Spacer
27	SA152.V2-27	Screw M6 x 10mm
27A	SA152.V2-27A	Screw Assembly (c/w Parts 7, 27, 79, 80 & 81)
28	B/686ZZ	Bearing 686ZZ
29	SA152.29	Retaining Ring
30	SA152.30	Bevel Gear
31	SA152.31	Washer
32	B/6202ZZ	Bearing 6202ZZ
33	SA152.33	Spindle
34	SA152.34	Key
35	SA152.35	Gasket
36	SA152.36	Retainer
37	SA152.37	Disc Cover
38	SA152.38	Flange
39	SA152.39	Spring Pin
40	SA152.40	Flange Nut
41	SA152.41	Adjusting Screw
42	SA152.42	Adjusting Nut
43	SA152.43	Screw
44	SA152.44	Inlet Guide

Item	Part No.	Description
45	SA152.45	Spring Ø 4.15mm
46	SA152.46	Governor
47	SA152.47	Pendulum
48	SA152.48	Spring Pin
49	SA152.49	O-ring
50	SA152.50	Spring 10.8mm
51	SA152.51	Safety bar
52	SA672T/34	Spring Pin M2.2 x 18mm
53	SA152.53	Exhaust Diffuser
54	SA152.V2-54	Handle
55	SA152.55	Pin Wrench
56	SA152.56	Retaining Ring
57	SA152.57	Bushing
58	SA152.58	O-Ring (12.32 x 10.50 x 0.91mm)
59	SA152.59	Spring Ø 6.78mm
60	SA152.60	Spindle Stop Button
61	SA152.61	Set Screw
62	SA152.62	O-Ring
63	SA152.63	Clamp
64	SA152.64	Hose
65	SA152.65	Exhaust Hose
66	SA152.66	O-Ring
79	SA152.V2-79	Felt Oiler
80	SA152.V2-80	Fixed Steady
81	SA152.V2-81	Small Collar
82	SA152.V2-82	Grease Fitting

**NOTE:** It is our policy to continually improve products and as such we reserve the right to alter data, specifications and component parts without prior notice. There may be alternative versions of this product, please contact us should you require this information.

**IMPORTANT:** No liability is accepted for incorrect use of product. Spare parts must be fitted by a competent person

**WARRANTY:** Guarantee is 12 months from purchase date, proof of which will be required for any claim.

Sealey Group, Kempson Way, Suffolk Business Park, Bury St Edmunds, Suffolk. IP32 7AR



01284 757500



sales@sealey.co.uk



www.sealey.co.uk