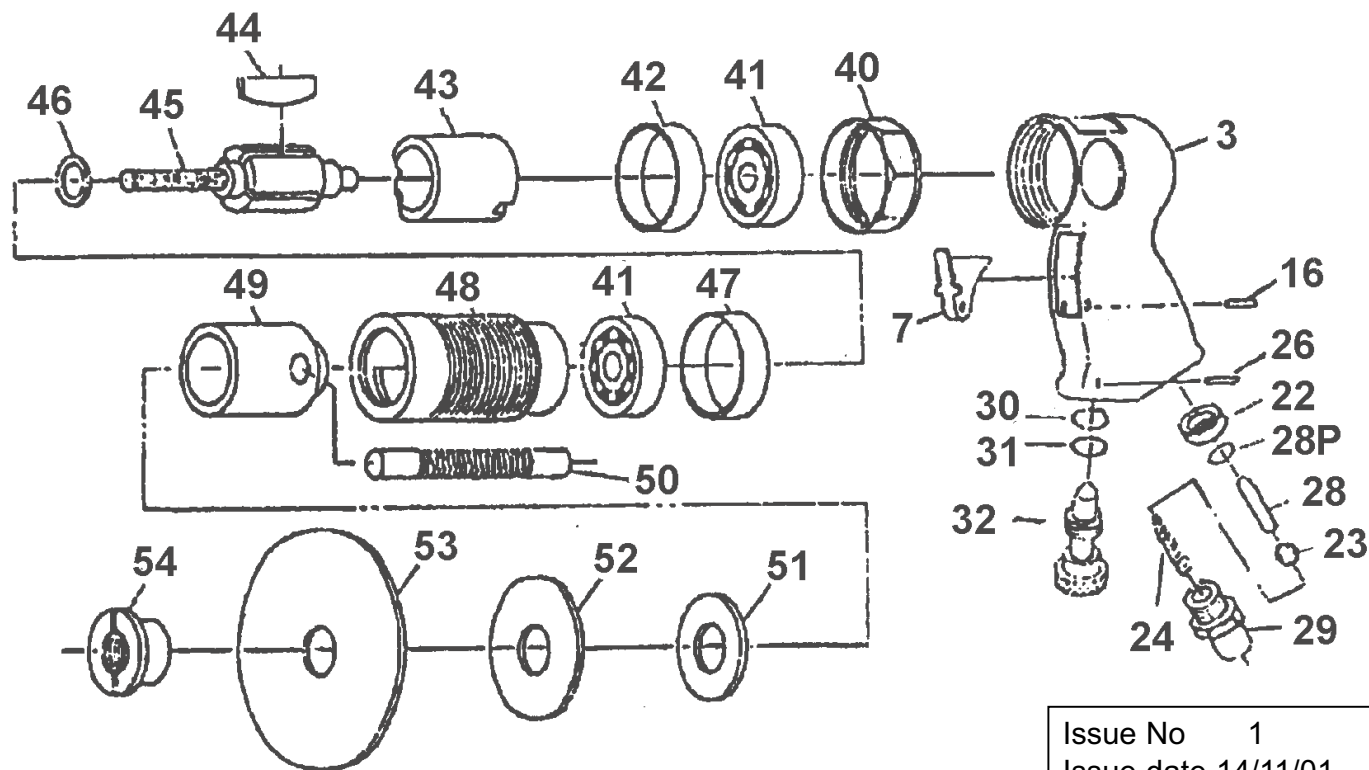


PARTS INFORMATION FOR : **AIR OPERATED
HIGH SPEED ORBITAL SANDER**

MODEL NO : **SA10**



Issue No 1
Issue date 14/11/01

ITEM	PART NO.	DESCRIPTION	ITEM	PART NO.	DESCRIPTION
03	SA10/96-03	HANDLE	44	SA10/96-44	ROTOR BLADE
07	SA10/96-07	TRIGGER	45	SA10/96-45-1	ROTOR, 104MM
16	SA10/96-16	PIN		SA10/96-45-2	ROTOR, 98MM
22	SA10/96-22	BALL SEAT		SA10/96-45-3	ROTOR, 92MM
23	SA10/96-23	STEEL BALL	46	SA10/96-46	BUSHING
24	SA10/96-24	SPRING	47	SA10/96-47	FRONT END PLATE
26	SA10/96-26	PIN	48	SA10/96-48	CYLINDER HOUSING
28	SA10/96-28	PUSH ROD	49	SA10/96-49-1	ADAPTOR 25MM
28P	SA10/96-28P	O-RING		SA10/96-49-2	ADAPTOR 30MM
29	SA10/96-29	INTAKE BUSH		SA10/96-49-3	ADAPTOR 35MM
30	SA10/96-30	O-RING	50	SA10/96-50	HOLDING TOOL
31	SA10/96-31	O-RING	51	SA10/96-25	BACKING DISC 3"
32	SA10/96-32	AIR REGULATOR	52	SA10/96-26	BACKING DISC 4-1/2"
40	SA10/96-40	HOUSING LOCK RING	53	SA10/96-27	BACKING DISC 5-1/2"
41	B/6201Z	BALL BEARING	54	SA10/96-54	LOCK,ADAPTOR
42	SA10/96-42	REAR END PLATE		SA10/DG	DISC GUARD
43	SA10/96-43	CYLINDER		SA10/08	SPRING

NOTE: It is our policy to continually improve products and as such we reserve the right to alter data, specifications and component parts without prior notice. **IMPORTANT:** No liability is accepted for incorrect use of this equipment. **WARRANTY:** Guarantee is 12 months from purchase date, proof of which will be required for any claim. **INFORMATION:** Call us for a copy of our latest catalogue and promotions on 01284 757525 and leave your full name and address including your postcode.