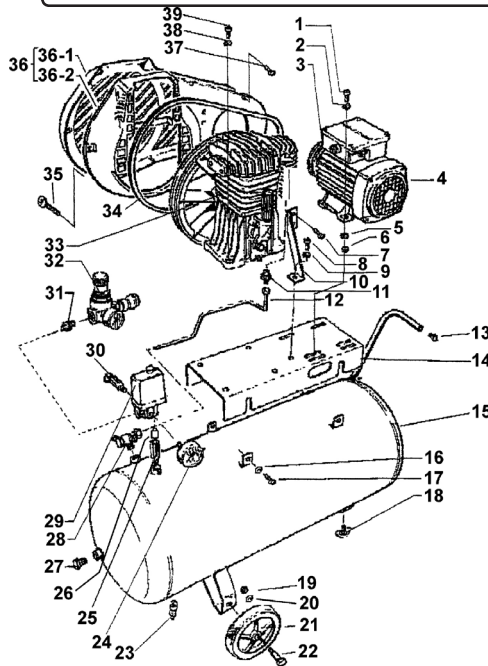




Parts Information:
**Compressor 50ltr Belt Drive with Alloy
 Cylinders 3hp
 Model No: SA1050/3**



Item	Part No.	Description
1	SH37304240	Screw TE 8x30 UNI 5739
2	SH17500160	Washer 8x24
3	SH13500920	Pulley Motor 80mm
4	SH10701560B	Motor,3HP Electric (EMZ)
5	SH17500160	Washer 8x24
6	SN8.S	Steel Nut M8 Zinc Din934 (Single)
7	SH17300870	Screw
8	SH37306920	SKT. HD Bolt M6x17
9	SH17500210	Washer
10	SH14201450	Belt Guard Bracket
11	SH16903380	Connection 3/8" D.8-10
11	SH16905450	Connection
12	SH14302490	Sending Tube K9-K12 50LTR
13	SH16500350	Plug,Handle
14	SH1420146C	Base Plate
15	SH11903150	Tank 50LTR
16	FWM10.S	Flat Washer M10 Single
17	SS1020.SB	Hex Head Set Screw M10x20mm Black
--	SS1020.S	Hex Head Set Screw M10x20mm Single (NOT SHOWN)
18	SH16500300	Rubber Foot
19	SN12.S	Steel Nut M12 Zinc Din934(Single)
20	SH17500110	Washer
21	SH13200040	Wheel,Fixed (146x15x30)
22	SH13200160	Wheel Bolt
23	SH15300320	Drain Cock 3/8

Item	Part No.	Description
24	SAC4100612	Gauge 300 PSI 60mm OD, Rear Fitting.
--	SH16902500	Extension (NOT SHOWN)
25	SH16903850	Extension, 3/8"MF-50mm
26	SH16902170	Reducer 3/8" - 1/4"
27	SH16901890	Plug, Tank 1/2"BSP
28	SAC9048073	Non Return Valve 1/2",50&100LTR
28	SAC9048085	Non Return Valve 1/2",50&100LTR
29	SH12801100	New Pressure Switch 3/8"Connect
--	SAC9063048	Pressure Switch (240V/20A Max 6-8Bar 175PSI) (NOT SHOWN)
--	SAC9050544	Plug 1/4" (NOT SHOWN)
30	SH14400820	Safety Valve 1/4"BSP
30	SH14401340	Safety Valve 1/4"BSP
31	SH16903370	DB Screw 1/4"
32	SH13000330	Regulator With Gauge
33	SHK0900010	Pump K9
34	V/A49	V-Belt (ID-1250) A49
35	SCB660.S	Socket Head Cap Screw M6x60
36	SH13400170	Belt Guard Assembly
36-1 & 36-2	SH12504211	Guard Complete Includes Front And Rear Guard
37	SH17300860	Screw
38	SH17500090	Washer
39	SH17300270	Bolt M8x40
--	SH14300980	Air Pipe Plastic(42cm)Rilsan (NOT SHOWN)
--	SH16905480	Olive Fitting For Delivery Pipe (NOT SHOWN)

NOTE: It is our policy to continually improve products and as such we reserve the right to alter data, specifications and component parts without prior notice.

IMPORTANT: No liability is accepted for incorrect use of product.

WARRANTY: Guarantee is 12 months from purchase date, proof of which will be required for any claim.

Sealey Group, Kempson Way, Suffolk Business Park, Bury St Edmunds, Suffolk. IP32 7AR



01284 757500



01284 703534

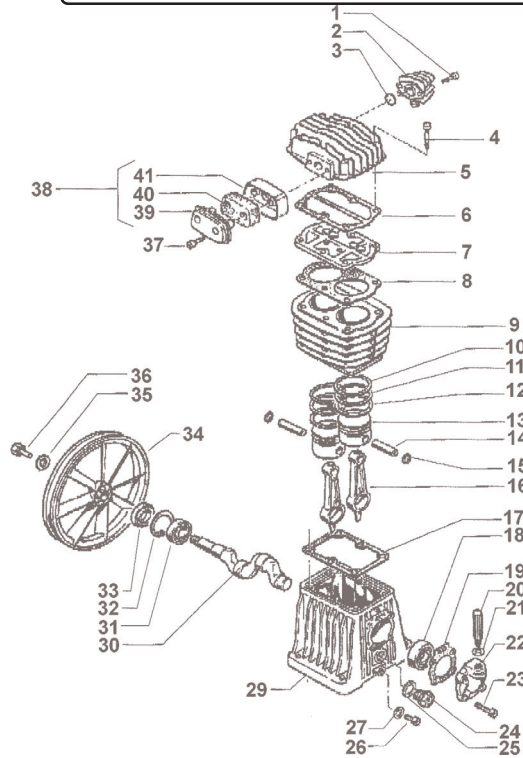


sales@sealey.co.uk



www.sealey.co.uk

Parts Information:
**Compressor 50ltr Belt Drive with Alloy
 Cylinders 3hp
 Model No: SA1050/3**



Item	Part No.	Description
1	SH37302480	Screw
2	SAC32909085	After Cooler
3	SH30502510	O-Ring
4	SCB860.SB	Socket Head Cap Screw M8x60 Black
5	SH31309040	Cylinder Head K9
--	SU61400	Cylinder Head K9 (NOT SHOWN)
6	SH30506900	Head Gasket
7	SH32706840	Valve Plate
8	SH30506890	Gasket,Cylinder/Valve Plate
--	SH30509210	Gasket (NOT SHOWN)
9	SH31600500	Cylinder
10	SH31203990	Compression Ring
11	SH31203970	Scraper Ring
12	SH31203950	Scraper Ring
13	SH31208800	Piston
14	SH31200700	Gudgeon Pin
15	SH37600230	Int Circlip 13.3mm ID.
16	SH31106860	Connecting Rod Complete K12
17	SH30506880	Gasket
18	B/6205	Bearing 6205
19	SH30506870	Gasket,End Cap
20	SH3650030A	Breather 3/8 With Red Cup
21	SH3050016A	Gasket/Oil Filler
22	SH30406830	Crank End Cap (Oil Filler)

Item	Part No.	Description
23	SH37306920	SKT. HD Bolt M6x17
--	SH17300570	Screw (NOT SHOWN)
24	SH36500140	Oil View Glass
25	SH30500130	Gasket
26	SCB815.SB	Socket Head Cap Screw M8x15 Black
27	SH37500670	Drain Plug Washer
--	SH37335560	Screw (NOT SHOWN)
29	SH33106800	Crankcase
30	SH3020685A	Crankshaft
31	B/6205	Bearing 6205
32	SH37607530	Circlip,Crank
33	SH30307540	Oil Seal
34	SH3100728A	Pump Pulley 280mm
35	SH37500730	Thick Washer, Pulley
36	SH37400720	Nut,Pulley/Crankshaft
37	SCB825.SB	Socket Head Cap Screw M8x25 Black
38	SH15901120	Complete Filter K9
39	SH35647510	Filter Cover
40	SH15901090	Filter Element
41	SH15901120	Complete Filter K9
--	SH32544060	Service Kit No.1 (K9) (NOT SHOWN)
--	SH32554070	Service Kit No.2 (K9) (NOT SHOWN)
--	SH32554060	Service Kit No.1 (K9) (NOT SHOWN)

NOTE: It is our policy to continually improve products and as such we reserve the right to alter data, specifications and component parts without prior notice.

IMPORTANT: No liability is accepted for incorrect use of product.

WARRANTY: Guarantee is 12 months from purchase date, proof of which will be required for any claim.