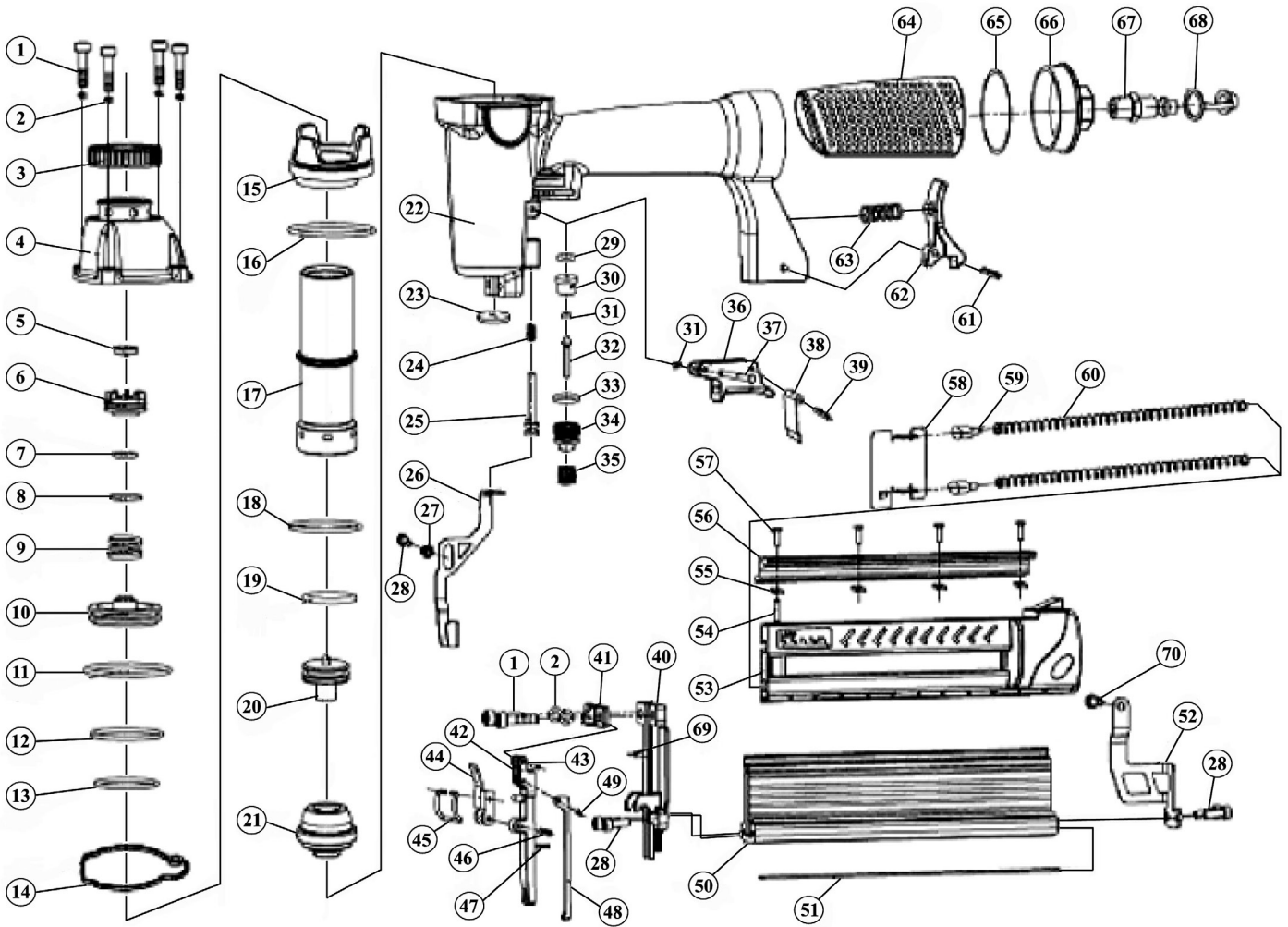




Parts Information:
Air Nail/Staple Gun Kit including
Compressor, Hose & Nailer/Stapler
Model No: SA0615KIT



NOTE: It is our policy to continually improve products and as such we reserve the right to alter data, specifications and component parts without prior notice.

IMPORTANT: No liability is accepted for incorrect use of product.

WARRANTY: Guarantee is 12 months from purchase date, proof of which will be required for any claim.

Sealey Group, Kempson Way, Suffolk Business Park, Bury St Edmunds, Suffolk. IP32 7AR



01284 757500



01284 703534



sales@sealey.co.uk



www.sealey.co.uk



Parts Information:
**Air Nail/Staple Gun Kit including
 Compressor, Hose & Nailer/Stapler
 Model No: SA0615KIT**

Item	Part No.	Description
1	SA0615KIT.01	BOLT (M5x20)
2	SA0615KIT.02	SPRING WASHER
3	SA0615KIT.03	AIR DEFLECTOR
4	SA0615KIT.04	CYLINDER COVER
5	SA0615KIT.05	FLAT WASHER
6	SA0615KIT.06	SPACER
7	SA0615KIT.07	O-RING (9.9x2.4mm)
8	SA0615KIT.08	O-RING (17x1.8mm)
9	SA0615KIT.09	COMPRESSED SPRING
10	SA0615KIT.10	VALVE SWITCH
11	SA0615KIT.11	O-RING (31.2x2.5mm)
12	SA0615KIT.12	O-RING (24.8x3.5mm)
13	SA0615KIT.13	O-RING (14x2.65mm)
14	SA0615KIT.14	SEAL WASHER
15	SA0615KIT.15	COLLAR
16	SA0615KIT.16	O-RING (44x1.8mm)
17	SA0615KIT.17	CYLINDER
18	SA0615KIT.18	O-RING (30x1.8mm)
19	SA0615KIT.19	O-RING (21x3mm)
20	SA0615KIT.20	MAIN PISTON
21	SA0615KIT.21	BUMPER
22	SA0615KIT.22	GUN BODY
23	SA0615KIT.23	RUBBER WASHER
24	SA0615KIT.24	COMPRESSED SPRING
25	SA0615KIT.25	HANDSPIKE
26	SA0615KIT.26	SAFETY STAND
27	SA0615KIT.27	GUIDE SLEEVE
28	SA0615KIT.28	BOLT (M4x12)
29	SA0615KIT.29	RECTANGLE WASHER RUBBER/ROUND
30	SA0615KIT.30	TRIGGER VALVE SEAT
31	SA0615KIT.31	O-RING (1.7x2mm)
32	SA0615KIT.32	TRIGGER VALVE STEM
33	SA0615KIT.33	O-RING (11.2x2mm)
34	SA0615KIT.34	TRIGGER VALVE GUIDE
35	SA0615KIT.35	COMPRESSED SPRING
36	SA0615KIT.36	TRIGGER

Item	Part No.	Description
37	SA0615KIT.37	SPRING PIN M3.2 X 18
38	SA0615KIT.38	SAFETY SPACER
39	SA0615KIT.39	SPRING PIN M2.6 X 16
40	SA0615KIT.40	DRIVER GUIDE
41	SA0615KIT.41	SPACER
42	SA0615KIT.42	DRIVER GUIDE COVER
43	SA0615KIT.43	SPRING PIN M2.5 X 10
44	SA0615KIT.44	QUICK RELEASE HANDLE ASSEM(INCLUDES PART
45	SA0615KIT.44	QUICK RELEASE HANDLE ASSEM(INCLUDES PART
46	SA0615KIT.46	PIN (3x16mm)
47	SA0615KIT.47	COMPRESSED SPRING
48	SA0615KIT.48	SPACER
49	SA0615KIT.49	SPRING PIN M2 X 10
50	SA0615KIT.50	FIXED MAGAZINE
51	SA0615KIT.51	IN-LAY SLICE
52	SA0615KIT.52	FIXED SEAT
53	SA0615KIT.53	MOVABLE MAGAZINE
54	SA0615KIT.54	PIN (2.5x28mm)
55	SA0615KIT.55	LATCH SEGMENT
56	SA0615KIT.56	STICKER PLATE
57	SA0615KIT.57	BOLT (M3x10)
58	SA0615KIT.58	PUSHER
59	SA0615KIT.59	PUSHER PIPE
60	SA0615KIT.60	COMPRESSED SPRING
61	SA0615KIT.61	SPRING PIN M4X20
62	SA0615KIT.62	FIXED LEVER
63	SA0615KIT.63	COMPRESSED SPRING
64	SA0615KIT.64	RUBBER HANDLE CASE
65	SA0615KIT.65	O-RING (33.3x3.5mm)
66	SA0615KIT.66	END CAP
67	SA0615KIT.67	AIR INLET PLUG
68	SA0615KIT.68	AIR PLUG CASE
69	SA0615KIT.69	PIN (1.5x12mm)
70	SA0615KIT.70	BOLT (M4x8)

NOTE: It is our policy to continually improve products and as such we reserve the right to alter data, specifications and component parts without prior notice.

IMPORTANT: No liability is accepted for incorrect use of product.

WARRANTY: Guarantee is 12 months from purchase date, proof of which will be required for any claim.

Sealey Group, Kempson Way, Suffolk Business Park, Bury St Edmunds, Suffolk. IP32 7AR



01284 757500



01284 703534



sales@sealey.co.uk



www.sealey.co.uk