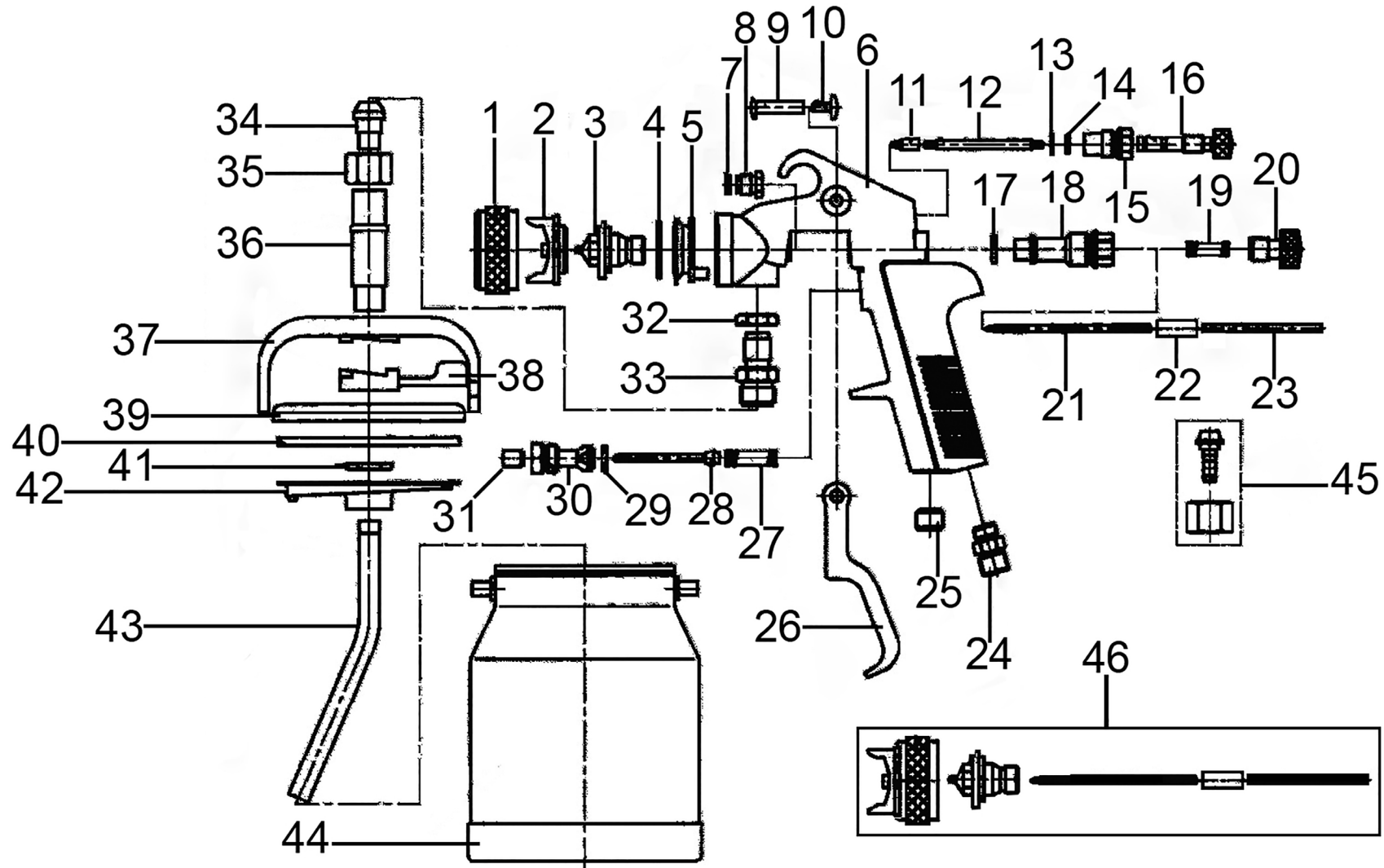


Parts Information:  
Siegen Suction Feed Spray Gun 1.7mm Set-Up  
Model No: S775



**NOTE:** It is our policy to continually improve products and as such we reserve the right to alter data, specifications and component parts without prior notice.

There may be alternative versions of this product, please contact us should you require this information.

**IMPORTANT:** No liability is accepted for incorrect use of product. Spare parts must be fitted by a competent person

**WARRANTY:** Guarantee is 12 months from purchase date, proof of which will be required for any claim.

Sealey Group, Kempson Way, Suffolk Business Park, Bury St Edmunds, Suffolk. IP32 7AR



01284 757500



sales@sealey.co.uk



www.sealey.co.uk

Parts Information:  
**Siegen Suction Feed Spray Gun 1.7mm Set-Up**  
**Model No: S775**

Item	Part No.	Description
1	S775.01	Locking Ring
2	S775.02	Air Cap
3	S775.03	Fluid Nozzle
4	S775.04	Air Cap Set Packing
5	S775.05	Air Current Ring
6	S775.06	Body
7	S775.07	Packing
8	S775.08	Nozzle Packing Screw
9	S775.09	Trigger Pin
10	S775.10	Trigger Screw
11	S775.11	Air Valve Cap
12	S775.12	Pole
13	S775.13	E Clip 4mm ID
14	SA792.V3-67	O-Ring (6.13 x 2.57 x 1.78mm)
15	S775.15	Packing Set
16	S775.16	Adjusting Knob, Aluminium Ø13mm x 45mm, M8 x 10mm Thread
17	S775.17	Packing
18	S775.18	Needle Sleeve
19	S775.19	Needle Spring Ø6.5mm
20	S775.20	Needle Adjust Screw
21	S775.21	Fluid Needle
22	S775.22	Needle Set
23	S775.23	Pole
24	S775.24	Air Screw
25	S775.25	Stop Up Cap

Item	Part No.	Description
26	S775.26	Trigger
27	S775.27	Spring, Air Switch Ø6.3mm
28	S775.28	Air Valve
29	S775.29	Packing
30	S775.30	Air Packing Screw
31	S775.31	Air Screw
32	S775.32	Screw Cap
33	S775.33	Lacquer Screw
34	S775.34	Copper Pin
35	S775.35	Screw
36	S775.36	Joint Screw
37	S775.37	Yoke Assembly
38	S775.38	Lever
39	S775.39	Cup Top Assembly
40	S775.40	Cup Gasket
41	S775.41	Screw Cap
42	S701.V3-41	Plastic Pot Cover
43	S775.43	Material Tube Assembly
44	S775.44	Cup
45	S775.PA	Pole Assembly
46	S775-1.7	1.7mm Setup
		<b>Other Options Available</b>
--	S775-1.5	1.5mm Setup
--	S775-1.8	1.8mm Setup
--	S775-2.0	2.0mm Setup

**NOTE:** It is our policy to continually improve products and as such we reserve the right to alter data, specifications and component parts without prior notice. There may be alternative versions of this product, please contact us should you require this information.

**IMPORTANT:** No liability is accepted for incorrect use of product. Spare parts must be fitted by a competent person

**WARRANTY:** Guarantee is 12 months from purchase date, proof of which will be required for any claim.