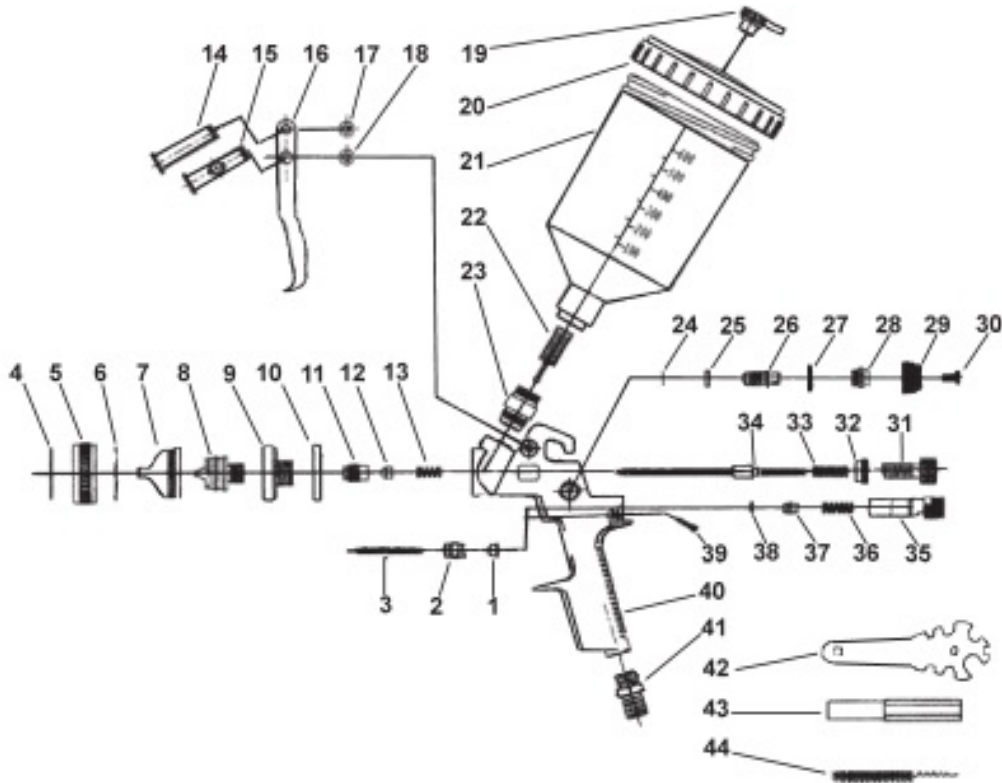


Parts Information:
**Spray Gun Professional Gravity Feed
 1.4mm Set-Up
 Model No: S701G**



| Item | Part No. | Description |
|------|--------------|---|
| 1 | S701G.01 | WHITE PLASTIC SEAL WASHER |
| 2 | S701G.02 | SWITCH KNOB |
| 3 | S701G.03 | SWITCH POLE |
| 4 | S701G.04 | AIR CAP ASS'Y (1.4mm) (PARTS 04,05,06,07) |
| -- | S701G.04-1.7 | AIR CAP ASS'Y (1.7mm) (NOT SHOWN) |
| -- | S701G.04-2.0 | AIR CAP ASS'Y (2.0mm) (NOT SHOWN) |
| 8 | S701G.08 | FLUID NOZZLE |
| -- | S701G.08-2.0 | FLUID NOZZLE (2.0mm) (NOT SHOWN) |
| 9 | S701G.09 | FLUID NOZZLE PLUG |
| 10 | S701G.10 | PLASTIC WASHER |
| 11 | S701G.11 | DIRECTION SCREW |
| 12 | S701G.12 | WHITE PLASTIC WASHER |
| 13 | S701G.13 | SPRING |
| 14 | S701G.14 | TRIGGER PIN 1 |
| 15 | S701G.15 | TRIGGER PIN 2 |
| 16 | S701G.16 | TRIGGER |
| 17 | S701G.17 | SNAP RETAINER |
| 18 | S701G.18 | SNAP RETAINER |
| 19 | S701G.21 | CONTAINER ASS'Y (PARTS 19, 20, 21, 22) |
| 23 | S701G.23 | ADAPTOR |
| 24 | S701G.24 | SNAP RETAINER |

| Item | Part No. | Description |
|------|----------|--|
| 25 | S701G.25 | O-RING |
| 26 | S701G.26 | PATTERN ADJ. |
| 27 | S701G.27 | COPPER WASHER |
| 28 | S701G.28 | PATTERN ADJ. KNOB |
| -- | S701G.29 | PATTERN ADJ. SCREW (NOT SHOWN) |
| 30 | MSC48.S | CSK PHILLIPS MACHINE SCREW M4x8 (SINGLE) |
| 31 | S701G.31 | FLUID ADJ. KNOB |
| 32 | S701G.32 | JOINT CAP |
| 33 | S701G.33 | FLUID NEEDLE SPRING |
| 34 | S701G.34 | FLUID ADJ. NEEDLE (1.4mm) |
| 35 | S701G.35 | MODULATOR |
| 36 | S701G.36 | SWITCH SPRING |
| 37 | S701G.37 | SWITCH BLOCK C/W O-RING |
| 38 | S701G.37 | SWITCH BLOCK C/W O-RING |
| 39 | S701G.39 | SCREW |
| 40 | S701G.40 | GUN BODY |
| 41 | S701G.41 | AIR INLET PLUG |
| 42 | S701G.42 | TOOL WRENCH |
| 43 | S701G.43 | HEX WRENCH |
| 44 | S701G.44 | BRUSH |

NOTE: It is our policy to continually improve products and as such we reserve the right to alter data, specifications and component parts without prior notice.

IMPORTANT: No liability is accepted for incorrect use of product.

WARRANTY: Guarantee is 12 months from purchase date, proof of which will be required for any claim.