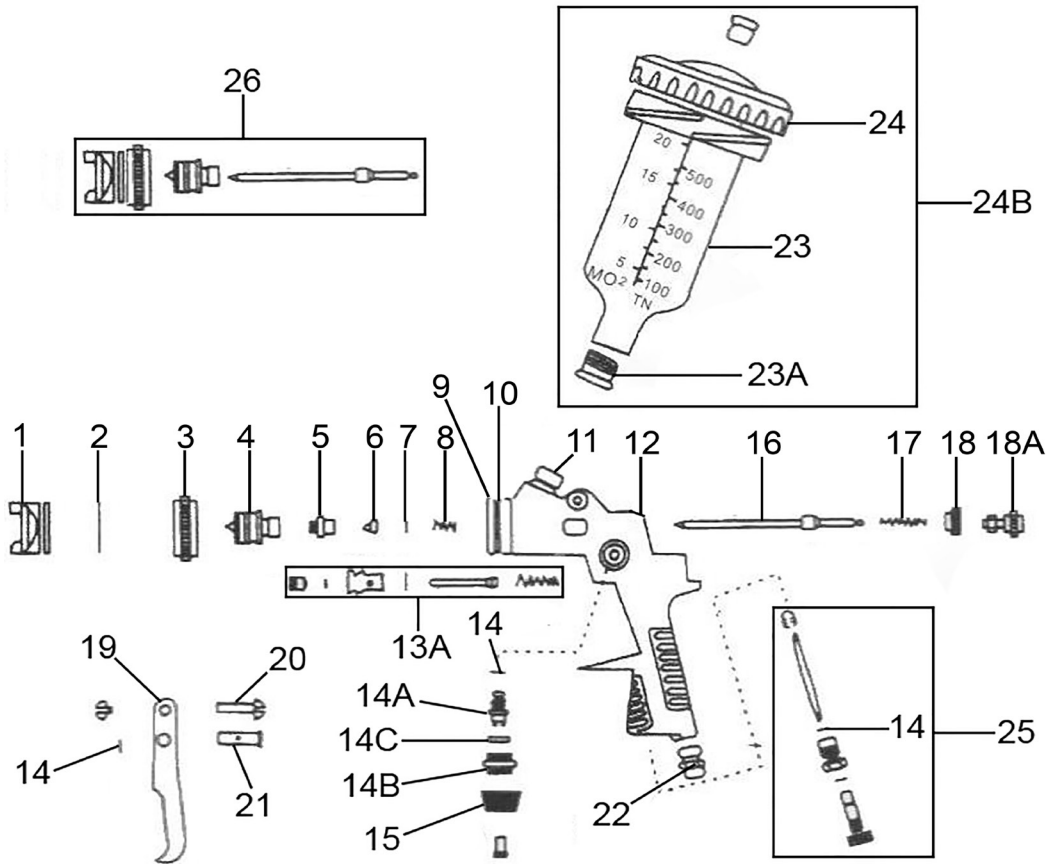


Parts Information:
**Siegen General-Purpose Gravity Feed
 Spray Gun 1.4mm Set-Up**
Model No: S641G



Item	Part No.	Description
1	S641G.01	Nozzle 1.4mm
2	S642G.02	Ring
3	S642G.03	Air Cap
4	S641G.04	Fluid Nozzle 1.4mm
5	S642G.05	Packing Screw, Needle
6	S642G.06	Teflon Seal
7	S642G.07	Washer
8	S642G.08	Spring
9	S642G.09	Brass Ring
10	S642G.10	Gasket
11	S642G.11	Connector, Fluid Container
12	S642G.12	Gun Body
13A	S642G.13A	Air Valve Assembly
14	S642G.14	Washer
14A	S642G.14A	Spray Regulating Screw
14B	S642G.14B	Spray Regulating Nut
14C	S642G.14C	C-Ring
15	S642G.15	Knob, Fluid Adjustment
16	S641G.16	Paint Needle Complete 1.4mm

Item	Part No.	Description
17	S642G.17	Needle Spring
18	S642G.18	Screw Nut
18A	S642G.18A	Knob, Fluid Control, Aluminium Ø15mm x 33mm
19	S642G.19	Trigger
20	S642G.20	Screw
21	S642G.21	Trigger Pin
22	S642G.22	Air Adaptor 1/4"
23	S642G.23	Fluid Pot
23A	S642G.23A	Adaptor
24	S642G.24	Cover, Fluid Pot
24B	S642G.24B	Fluid Pot Assembly (c/w Parts 23, 23A & 24)
25	S642G.25	Air Adjusting Valve Assembly
26	S642G-SET1.4	Set-Up 1.4mm
26	S642G-SET1.7	Set-Up 1.7mm
26	S642G-SET1.8	Set-Up 1.8mm
26	S642G-SET2.0	Set-Up 2.0mm
26	S642G-SET2.2	Set-Up 2.2mm

NOTE: It is our policy to continually improve products and as such we reserve the right to alter data, specifications and component parts without prior notice. There may be alternative versions of this product, please contact us should you require this information.

IMPORTANT: No liability is accepted for incorrect use of product. Spare parts must be fitted by a competent person

WARRANTY: Guarantee is 12 months from purchase date, proof of which will be required for any claim.