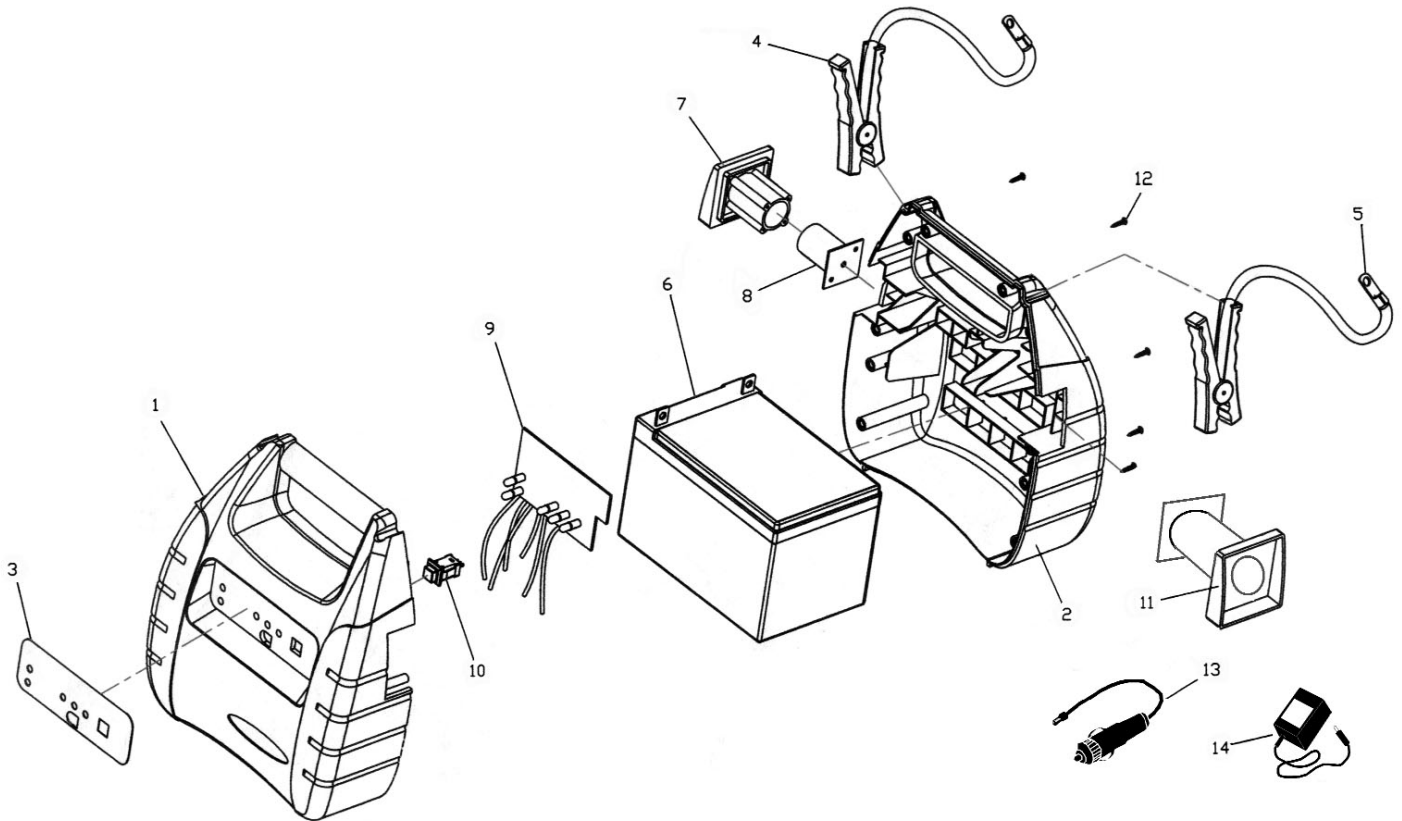




Parts Information:  
**RoadStart® Emergency Power Pack 12V**  
**850 Peak Amps**  
**Model No: S0827**



Item	Part No.	Description
1	S0827.01	CASE (FRONT)
2	S0827.02	CASE (BACK)
3	S0827.03	FRONT PANEL
4	S0827.04	CLAMP (POSITIVE)
5	S0827.05	CLAMP (NEGATIVE)
6	S0827.06	BATTERY 12V 12Ah
7	S0827.07	SOCKET COVER FOR CIGARETTE LIGHTER

Item	Part No.	Description
8	S0827.08	SOCKET FOR CIGARETTE LIGHTER
9	S0827.09	PCB ASS'Y
10	S0827.10	BATTERY LEVEL BUTTON
11	S0827.11	SOCKET FOR MAINS CHARGER
12	S0827.12	SCREW
13	S0827.13	CIGARETTE LIGHTER CORD DC 12v
14	RS1/AX	PIN JACK CHARGER FOR RS1 15V 500mA 7.5VA

**NOTE:** It is our policy to continually improve products and as such we reserve the right to alter data, specifications and component parts without prior notice.

**IMPORTANT:** No liability is accepted for incorrect use of product.

**WARRANTY:** Guarantee is 12 months from purchase date, proof of which will be required for any claim.

**Sealey Group**, Kempson Way, Suffolk Business Park, Bury St Edmunds, Suffolk. IP32 7AR



01284 757500



01284 703534



sales@sealey.co.uk



www.sealey.co.uk